

**Operator's manual Manuel d'utilisation  
Gebruiksaanwijzing Bedienungsanweisung**

**K970 III  
K970 III Rescue**



**GB FR NL DE**

Please read the operator's manual carefully and make sure you understand the instructions before using the machine.

Lire attentivement et bien assimiler le manuel d'utilisation avant d'utiliser la machine.

Neem de gebruiksaanwijzing grondig door en gebruik de machine niet voor u alles duidelijk heeft begrepen.

Lesen Sie die Bedienungsanweisung sorgfältig durch und machen Sie sich mit dem Inhalt vertraut, bevor Sie das Gerät benutzen.

# KEY TO SYMBOLS

## Manual version

This manual is the International version used for all English speaking countries outside North America. If you operate in North America use the US-version.

## Symbols on the machine

**WARNING!** The machine can be a dangerous tool if used incorrectly or carelessly, which can cause serious or fatal injury to the operator or others.

Please read the operator's manual carefully and make sure you understand the instructions before using the machine.

Wear personal protective equipment. See instructions under the "Personal protective equipment" heading.

This product is in accordance with applicable EC directives.

**WARNING!** Dust forms when cutting, this can cause injuries if inhaled. Use an approved breathing mask. Avoid inhaling exhaust fumes. Always provide for good ventilation.

**WARNING!** Kickbacks can be sudden, rapid and violent and can cause life threatening injuries. Read and understand the instructions in the manual before using the machine.

**WARNING!** Sparks from the cutting blade can cause fire in combustible materials such as: petrol (gas), wood, clothes, dry grass etc.

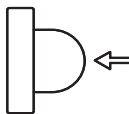
Ensure the blades are not cracked or damaged in any other way.

Do not use circular saw blades

Choke.

Air purge

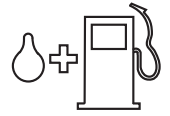
Decompression valve



Starter handle



Refuelling, petrol/oil mix



Starting instruction decal  
See instructions under the heading Starting and stopping.



Cutting equipment decal

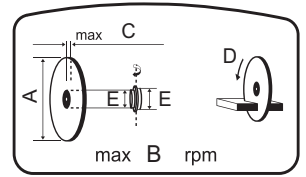
A= Cutting blade diameter

B= Max. speed of output shaft

C= Max blade thickness

D= Direction of blade rotation

E= Bushing dimension



Noise emission to the environment according to the European Community's Directive. The machine's emission is specified in the Technical data chapter and on the label.



**Other symbols/decals on the machine refer to special certification requirements for certain markets.**



**WARNING!** Tampering with the engine voids the EU type-approval of this product.

## Explanation of warning levels

The warnings are graded in three levels.

### WARNING!



**WARNING!** Indicates a hazardous situation which, if not avoided, will result in death or serious injury.

### CAUTION!



**CAUTION!** Indicates a hazardous situation which, if not avoided, could result in minor or moderate injury.

### NOTICE!

**NOTICE!** Is used to address practices not related to personal injury.

# CONTENTS

## Contents

### KEY TO SYMBOLS

Manual version .....	2
Symbols on the machine .....	2
Explanation of warning levels .....	2

### CONTENTS

Contents .....	3
----------------	---

### PRESENTATION

Dear Customer, .....	4
Design and features .....	4

### PRESENTATION

What is what on the power cutter - K970 III? .....	6
--	---

### PRESENTATION

What is what on the power cutter - K970 III Rescue? .....	7
--	---

### MACHINE'S SAFETY EQUIPMENT

General .....	8
---------------	---

### CUTTING BLADES

General .....	10
Abrasive blades .....	11
Diamond blades .....	11
Toothed blades, carbide tipped blades and emergency situations .....	12
Transport and storage .....	12

### ASSEMBLING AND ADJUSTMENTS

General .....	13
Checking the spindle shaft and flange washers ...	13
Checking the bushing .....	13
Checking the direction of the blade rotation .....	13
Fitting the cutting blade .....	13
Blade guard .....	13
Reversible cutting head .....	14

### FUEL HANDLING

General .....	15
Fuel .....	15
Fueling .....	16
Transport and storage .....	16

### OPERATING

Protective equipment .....	17
General safety precautions .....	17
Transport and storage .....	22

### STARTING AND STOPPING

Before starting .....	23
Starting .....	23
Stopping .....	25

### MAINTENANCE

General .....	26
Maintenance schedule .....	26
Cleaning .....	26

Functional inspection .....	27
-----------------------------	----

### TROUBLESHOOTING

Troubleshooting schedule .....	31
--------------------------------	----

### TECHNICAL DATA

Technical data .....	32
Recommended abrasive and diamond cutting blade, specification .....	33
EC Declaration of Conformity .....	33

---

# PRESENTATION

---

## Dear Customer,

Thank you for choosing a Husqvarna product!

It is our wish that you will be satisfied with your product and that it will be your companion for a long time. A purchase of one of our products gives you access to professional help with repairs and services. If the retailer who sells your machine is not one of our authorised dealers, ask him for the address of your nearest service workshop.

This operator's manual is a valuable document. Make sure it is always at hand at the work place. By following its content (using, service, maintenance etc.) the life span and the second-hand value of the machine can be extended. If you will sell this machine, make sure that the buyer will get the operator's manual.

## More than 300 years of innovation

Husqvarna AB is a Swedish company based on a tradition that dates back to 1689, when the Swedish King Charles XI ordered the construction of a factory for production of muskets. At that time, the foundation was already laid for the engineering skills behind the development of some of the world's leading products in areas such as hunting weapons, bicycles, motorcycles, domestic appliances, sewing machines and outdoor products.

Husqvarna is the global leader in outdoor power products for forestry, park maintenance and lawn and garden care, as well as cutting equipment and diamond tools for the construction and stone industries.

## Owner responsibility

It is the owner's/employer's responsibility that the operator has sufficient knowledge about how to use the machine safely. Supervisors and operators must have read and understood the Operator's Manual. They must be aware of:

- The machine's safety instructions.
- The machine's range of applications and limitations.
- How the machine is to be used and maintained.

National legislation could regulate the use of this machine. Find out what legislation is applicable in the place where you work before you start using the machine.

## The manufacturer's reservation

Subsequent to publishing this manual Husqvarna may issue additional information for safe operation of this product. It is the owner's obligation to keep up with the safest methods of operation.

Husqvarna AB has a policy of continuous product development and therefore reserves the right to modify the design and appearance of products without prior notice.

For customer information and assistance, contact us at our website: [www.husqvarna.com](http://www.husqvarna.com)

## Design and features

This is a high speed, hand held, power cutter designed to cut hard materials like masonry or steel and should not be used for any purpose not described in this manual. Safe operation of this product requires the operator to read this manual carefully. Ask your dealer or Husqvarna should you need more information.

Some of the unique features of your product are described below.

### Active Air Filtration™

Centrifugal air cleaning for longer service life and longer service intervals.

### SmartCarb™

Built-in automatic filter compensation maintains high power and reduces fuel consumption.

### Dura Starter™

Dust sealed starter unit, where the return spring and the pulley bearing are sealed which makes the starter virtually maintenance free and even more reliable.

### X-Torq®

The X-Torq® engine provides a more accessible torque for a wider range of speeds which results in maximum cutting capacity. X-Torq® reduces the fuel consumption by up to 20% and the emissions by up to 60%.

### EasyStart

The engine and starter are designed to ensure quick and easy starting of the machine. Reduces the pull resistance in the starter cord by up to 40%. (Reduces the compression during starting.)

### Air purge

When you push the air purge diaphragm, fuel is pumped through to the carburettor. Fewer pulls are required for starting, meaning the machine becomes easier to start.

### Water cooling and dust management

Less slurry and low consumption

Excellent dust control with a wet cutting kit. A progressive water valve for exact adjustment of the water volume to efficiently bind the dust and reduce slurry.

### Efficient vibration damping system

Efficient vibration dampers spare arms and hands.

### Reversible cutting head

The machine is fitted with a reversible cutting head allowing cutting close to a wall or at ground level, restricted only by the thickness of the blade guard.

---

# PRESENTATION

---

## **Smart Tension**

A semi automatic belt tensioning system with a spring loaded mechanism which makes it easy to get the correct belt tension. It is also very easy to change the drive belt and reverse the cutting head.

## **Specially designed starter handle (K970 III Rescue)**

Specially designed starter handle, with room for heavy gloves.

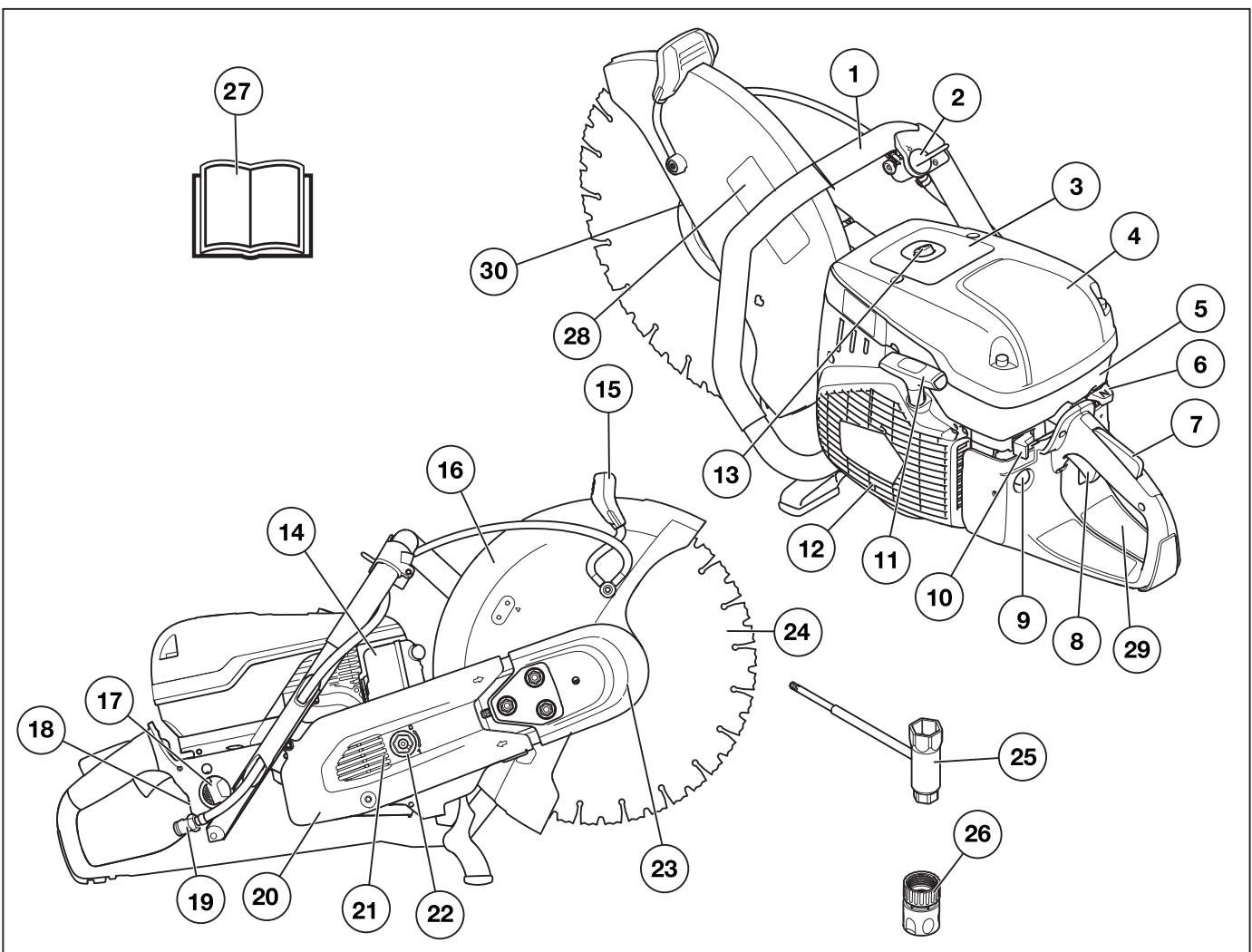
## **Heavy duty carry strap (K970 III Rescue)**

It has sturdy hooks at both ends and is easy to remove, attach and adjust even with gloves on. The belt makes the machine easy to carry.

## **Reflective blade guard (K970 III Rescue)**

A reflective blade guard, visible in smoke and water spray, enhances control of the cutter.

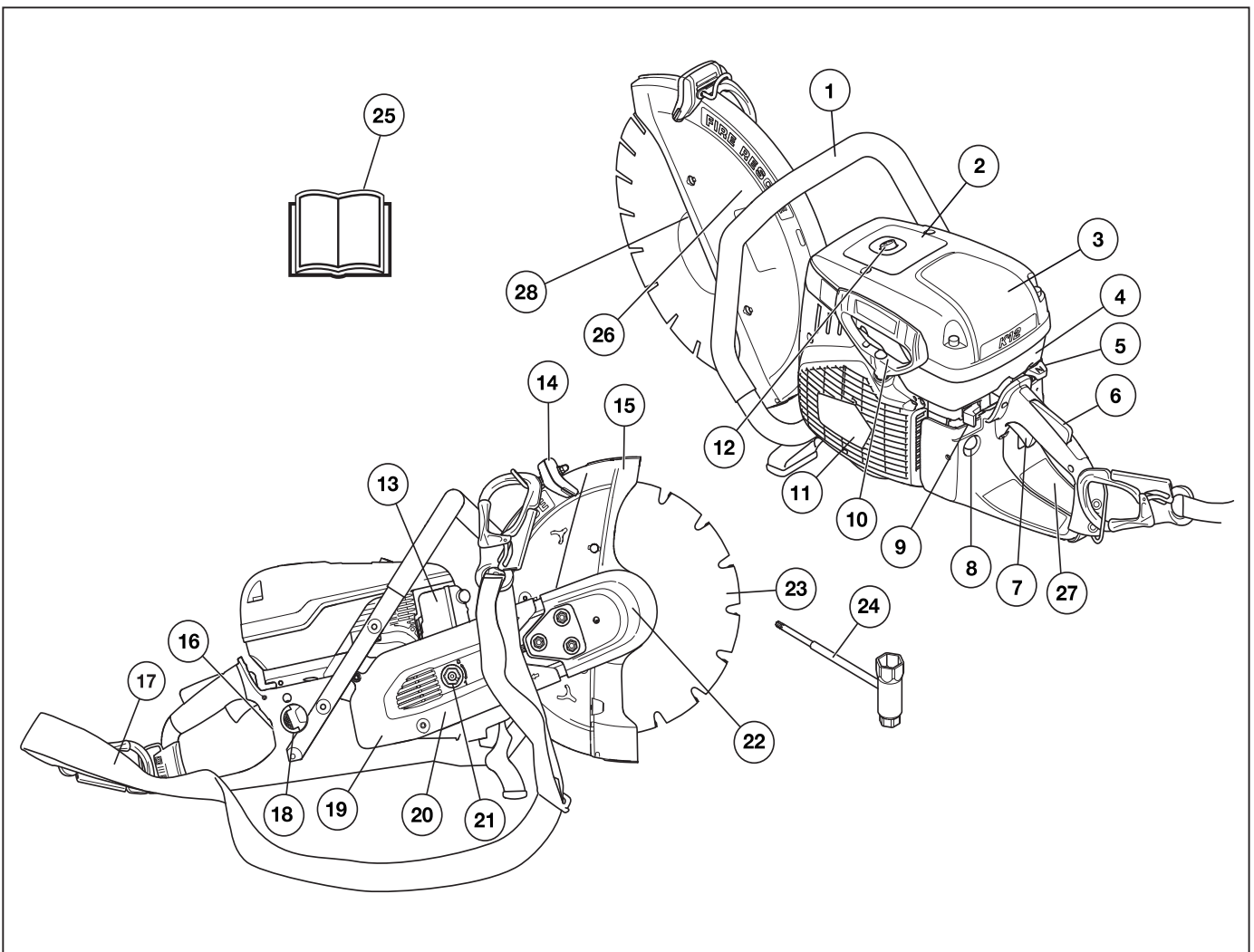
# PRESENTATION



## What is what on the power cutter - K970 III?

- |  |  |
|--|--|
| 1 Front handle                           | 16 Blade guard   |
| 2 Water tap                              | 17 Fuel cap  |
| 3 Warning decal                          | 18 Rating plate  |
| 4 Air filter cover                       | 19 Water connection with filter  |
| 5 Cylinder cover                         | 20 Belt guard  |
| 6 Choke control with start throttle lock | 21 Cutting arm   |
| 7 Throttle trigger lockout               | 22 Belt tensioner  |
| 8 Throttle trigger                       | 23 Cutting head  |
| 9 Air purge                              | 24 Cutting blade (not supplied)  |
| 10 Stop switch                           | 25 Combination spanner   |
| 11 Starter handle                        | 26 Water connector, GARDENA®   |
| 12 Starter housing                       | 27 Operator's manual   |
| 13 Decompression valve                   | 28 Cutting equipment decal   |
| 14 Muffler                               | 29 Starting instruction decal  |
| 15 Adjustment handle for guard           | 30 Flange, spindle, bushing (see instructions in the section "Assembling and adjustments") |

# PRESENTATION



## What is what on the power cutter - K970 III Rescue?

- |  |  |
|--|--|
| 1 Front handle                           | 15 Blade guard   |
| 2 Warning decal                          | 16 Rating plate  |
| 3 Air filter cover                       | 17 Harness   |
| 4 Cylinder cover                         | 18 Fuel cap  |
| 5 Choke control with start throttle lock | 19 Belt guard  |
| 6 Throttle trigger lockout               | 20 Cutting arm   |
| 7 Throttle trigger                       | 21 Belt tensioner  |
| 8 Air purge                              | 22 Cutting head  |
| 9 Stop switch                            | 23 Cutting blade (not supplied)  |
| 10 Starter handle                        | 24 Combination spanner   |
| 11 Starter housing                       | 25 Operator's manual   |
| 12 Decompression valve                   | 26 Cutting equipment decal   |
| 13 Muffler                               | 27 Starting instruction decal  |
| 14 Adjustment handle for guard           | 28 Flange, spindle, bushing (see instructions in the section "Assembling and adjustments") |

# MACHINE'S SAFETY EQUIPMENT

## General



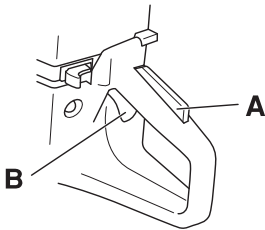
**WARNING! Never use a machine that has faulty safety equipment! If your machine fails any checks contact your service agent to get it repaired.**

**The engine should be switched off, and the stop switch in STOP position.**

This section describes the machine's safety equipment, its purpose, and how checks and maintenance should be carried out to ensure that it operates correctly.

## Throttle trigger lockout

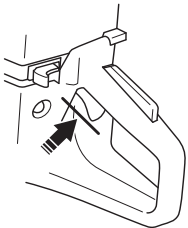
The throttle trigger lock is designed to prevent accidental operation of the throttle. When the lock (A) is pressed in this releases the throttle (B).



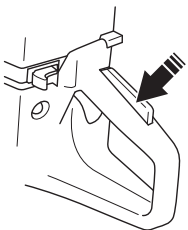
The trigger lock remains pressed in as long as the throttle is pressed. When the grip on the handle is released the throttle trigger and the throttle trigger lock both return to their original positions. This is controlled by two independent return spring systems. This means that the throttle trigger is automatically locked in the idle position.

## Checking the throttle lockout

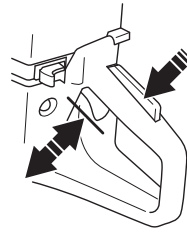
- Make sure the throttle control is locked at the idle setting when the throttle lockout is released.



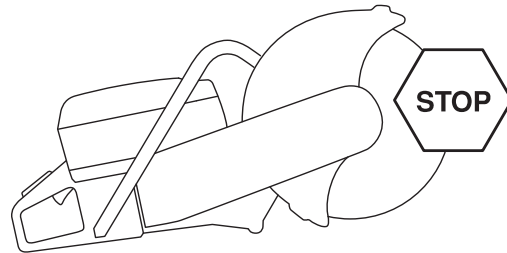
- Press the throttle lockout and make sure it returns to its original position when you release it.



- Check that the throttle trigger and throttle lockout move freely and that the return springs work properly.

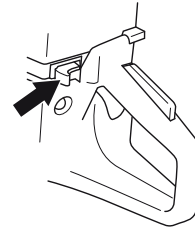


- Start the power cutter and apply full throttle. Release the throttle control and check that the cutting blade stops and remains stationary. If the cutting blade rotates when the throttle is in the idle position you should check the carburettor's idle adjustment. See instructions in the section "Maintenance".



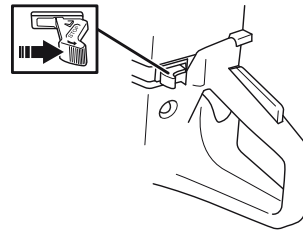
## Stop switch

Use the stop switch to switch off the engine.



## Checking the stop switch

- Start the engine and make sure the engine stops when you move the stop switch to the stop setting.





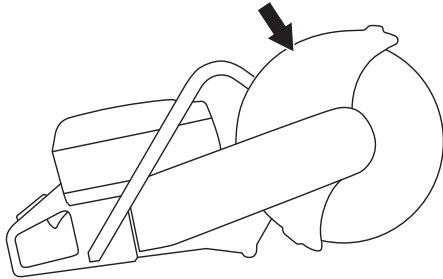
# MACHINE'S SAFETY EQUIPMENT

## Blade guard



**WARNING!** Always check that the guard is correctly fitted before starting the machine.

This guard is fitted above the cutting blade and is designed to prevent parts of the blade or cutting fragments from being thrown towards the user.



### Checking the blade and the blade guard

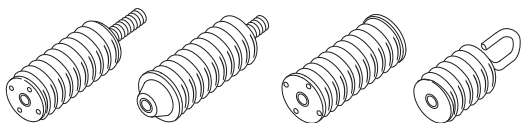
- Check that the guard over the cutting blade is not cracked or damaged in any other way. Replace when damaged.
- Check that the cutting blade is fitted correctly and does not show signs of damage. A damaged cutting blade can cause personal injury.

## Vibration damping system



**WARNING!** Overexposure to vibration can lead to circulatory damage or nerve damage in people who have impaired circulation. Contact your doctor if you experience symptoms of overexposure to vibration. Such symptoms include numbness, loss of feeling, tingling, pricking, pain, loss of strength, changes in skin colour or condition. These symptoms normally appear in the fingers, hands or wrists. These symptoms may be increased in cold temperatures.

- Your machine is equipped with a vibration damping system that is designed to minimize vibration and make operation easier.
- The machine's vibration damping system reduces the transfer of vibration between the engine unit/cutting equipment and the machine's handle unit. The engine body, including the cutting equipment, is insulated from the handles by vibration damping units.



## Checking the vibration damping system



**WARNING!** The engine should be switched off, and the stop switch in STOP position.

- Check the vibration damping units regularly for cracks or deformation. Replace them if damaged.
- Check that the vibration damping element is securely attached between the engine unit and handle unit.

## Muffler

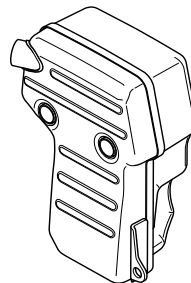


**WARNING!** Never use a machine without a muffler, or with a faulty muffler. A damaged muffler may substantially increase the noise level and the fire hazard. Keep fire fighting equipment handy.

The muffler gets very hot during and after use as well as when idling. Be aware of the fire hazard, especially when working near flammable substances and/or vapours.

Keep fire fighting equipment handy.

The muffler is designed to keep noise levels to a minimum and to direct exhaust fumes away from the user.



### Inspecting the muffler

Check regularly that the muffler is complete and secured correctly.

# CUTTING BLADES

## General



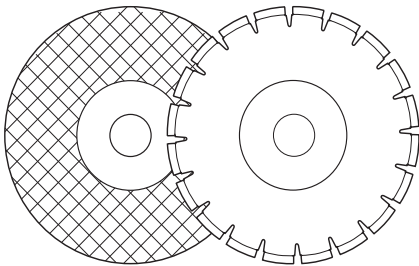
**WARNING!** A cutting blade may burst and cause injury to the operator.

The cutting blade manufacturer issues warnings and recommendations for the use and proper care of the cutting blade. Those warnings come with the cutting blade. Read and follow all instructions from the cutting blade manufacturer.

A cutting blade should be checked before it is assembled on the saw and frequently during use. Look for cracks, lost segments (diamond blades) or pieces broken off. Do not use a damaged cutting blade.

Test the integrity of each new cutting blade by running it at full throttle for about 1 minute.

- Cutting blades are available in two basic designs; abrasive blades and diamond blades.



- High-quality blades are often most economical. Lower quality blades often have inferior cutting capacity and a shorter service life, which results in a higher cost in relation to the quantity of material that is cut.
- Make sure that the right bushing is used for the cutting blade to be fitted on the machine. See the instructions under the heading Fitting the cutting blade.

## Suitable cutting blades

Cutting blades	K970 III	K970 III Rescue
Abrasive blades	Yes*	Yes*
Diamond blades	Yes	Yes
Toothed blades	Do not use	Yes**

For more information, see the "Technical data" section.

\*Without water

\*\*See instructions under the heading "Toothed blades, carbide tipped blades and emergency situations".

## Cutting blades for different materials



**WARNING!** Never use a cutting blade for any other materials than what it was intended to cut.

Never use a diamond blade to cut plastic material. The heat produced during cutting may melt the plastic and it can stick to the cutting blade and cause a kickback.

Cutting metal generates sparks that may cause fire. Do not use the machine near ignitable substances or gases.

Follow the instructions supplied with the cutting blade concerning the suitability of the blade for various applications, or consult your dealer in case of doubts.

	Concrete	Metal	Plastic	Cast iron
<b>Abrasive blades</b>	X	X	X	X
<b>Diamond blades</b>	X	X*		X*

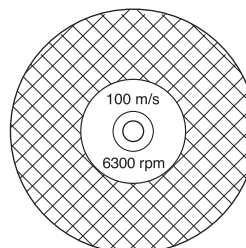
\* Only specialty blades.

## Hand held, high speed machines



**WARNING!** Never use a cutting blade with a lower speed rating than that of the power cutter. Only use cutting blades intended for high speed handheld power cutters.

- Many cutting blades that might fit this power cutter are intended for stationary saws and have a lower speed rating than is needed for this hand-held saw. Cutting blades with a lower speed rating shall never be used on this saw.
- Husqvarna cutting blades are manufactured for high-speed, portable power cutters.
- Check that the blade is approved for the same or higher speed according to the approval plate of the engine. Never use a cutting blade with a lower speed rating than that of the power cutter.



## Blade vibration

- The blade can become out-of-round and vibrate if an excessive feed pressure is used.
- A lower feed pressure can stop the vibration. Otherwise replace the blade.

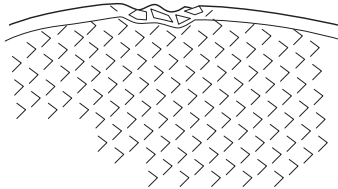
# CUTTING BLADES

## Abrasive blades

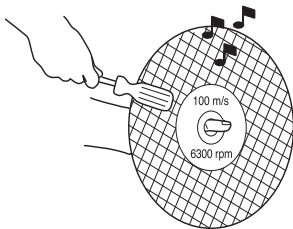


**WARNING!** Do not use abrasive blades with water. The strength is impaired when abrasive blades are exposed to water or moisture, which results in an increased risk of the blade breaking.

- The cutting material on abrasive blades consists of grit bonded using an organic binder. "Reinforced blades" are made up of a fabric or fibre base that prevents total breakage at maximum working speed if the blade should be cracked or damaged.
- A cutting blade's performance is determined by the type and size of abrasive corn, and the type and hardness of the bonding agent.
- Ensure the cutting blade is not cracked or damaged.



- Test the abrasive blade by hanging it on your finger and tapping it lightly with a screwdriver or the like. If the blade does not produce a resonant, ringing sound it is damaged.



## Abrasive blades for different materials

Blade type	Material
Concrete blade	Concrete, asphalt, stone masonry, cast iron, aluminium, copper, brass, cables, rubber, plastic, etc.
Metal blade	Steel, steel alloys and other hard metals.

## Diamond blades

### General

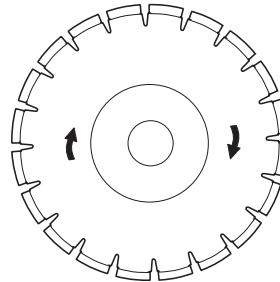


**WARNING!** Never use a diamond blade to cut plastic material. The heat produced during cutting may melt the plastic and it can stick to the cutting blade and cause a kickback.

**Diamond blades become very hot when used. An overheated blade is a result of improper use, and may cause deformation of the blade, resulting in damage and injuries.**

**Cutting metal generates sparks that may cause fire. Do not use the machine near ignitable substances or gases.**

- Diamond blades consist of a steel core provided with segments that contain industrial diamonds.
- Diamond blades ensure lower costs per cutting operation, fewer blade changes and a constant cutting depth.
- When using diamond blades make sure that it rotates in the direction indicated by the arrow on the blade.



## Diamond blades for different materials

- Diamond blades are ideal for masonry, reinforced concrete and other composite materials.
- Diamond blades are available in several hardness classes.
- Special blades should be used when cutting metal. Ask your dealer for help in choosing the right product.

## Sharpening diamond blades

- Always use a sharp diamond blade.
- Diamond blades can become dull when the wrong feeding pressure is used or when cutting certain materials such as heavily reinforced concrete. Working with a dull diamond blade causes overheating, which can result in the diamond segments coming loose.
- Sharpen the blade by cutting in a soft material such as sandstone or brick.

---

# CUTTING BLADES

---

## Diamond blades and cooling

- During cutting the friction in the cut causes the diamond blade to be heated up. If the blade is allowed to get too hot this can result in loss of blade tensioning or core cracking.

## Diamond blades for dry cutting

- Although no water is required for cooling, dry cutting blades must be cooled with air flow around the blades. For this reason dry cutting blades are recommended only for intermittent cutting. Every few seconds of cutting the blade should be allowed to run "free" with no load to allow the air flow around the blade to dissipate the heat.

## Diamond blades for wet cutting

- Wet cutting diamond blades must be used with water to keep the blade core and segments cool during sawing.
- Wet cutting blades should NOT be used dry.
- Using wet cutting blades without water can cause excessive heat build-up, resulting in poor performance, severe blade damage and is a safety hazard.
- Water cools the blade and increases its service life while also reducing the formation of dust.

## Toothed blades, carbide tipped blades and emergency situations

Carbide tipped specialty blades are intended only for use in rescue missions and only by trained staff.

## Transport and storage

- Do not store or transport the power cutter with the cutting blade fitted. All blades should be removed from the cutter after use and stored carefully.
- Store cutting blades in dry, frost free conditions. Special care should be taken with abrasive blades. Abrasive blades must be stored on a flat, level surface. If an abrasive blades is stored in humid conditions, this can cause imbalance and result in injury.
- Inspect new blades for transport or storage damage.

# ASSEMBLING AND ADJUSTMENTS

## General



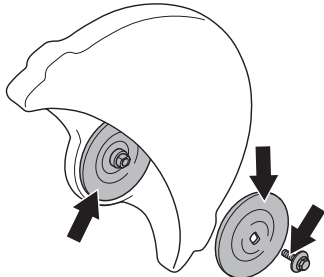
**WARNING!** The engine should be switched off, and the stop switch in STOP position.

Husqvarna's blades are high speed blades approved for hand held power cutters.

## Checking the spindle shaft and flange washers

When the blade is replaced with a new one, check the flange washers and the spindle shaft.

- Check that the threads on the spindle shaft are undamaged.
- Check that the contact surfaces on the blade and the flange washers are undamaged, of the correct dimension, clean, and that they run properly on the spindle shaft.



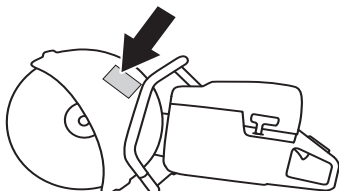
Use only flange washers supplied by Husqvarna, min. diameter 105 mm/4.1".

Do not use warped, notched, indented or dirty flange washers. Do not use different dimensions of flange washers.

## Checking the bushing

The arbor bushings are used to fit the machine to the centre hole in the cutting blade.

The machine is supplied with a bushing that can be flipped over to fit either 20 mm or 1" (25.4 mm). A decal on the blade guard indicates appropriate blade specification.

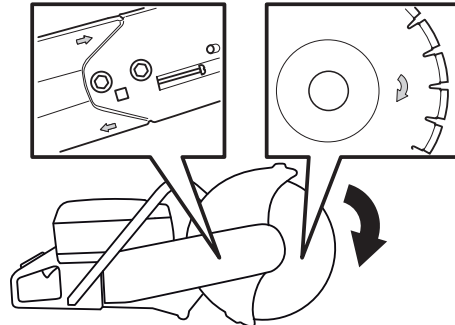


- Check that the bushing on the machine's spindle shaft corresponds with the centre hole of the cutting blade. The blades are marked with the diameter of the centre hole.

Use only bushings supplied by Husqvarna. Those bushings have been designed for your power cutter.

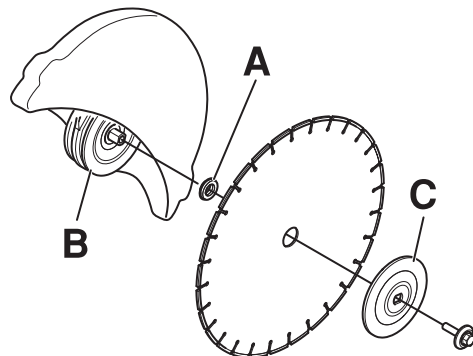
## Checking the direction of the blade rotation

- When using diamond blades make sure that it rotates in the direction indicated by the arrow on the blade. The direction of rotation for the machine is shown by arrows on the cutting arm.

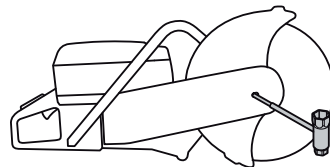


## Fitting the cutting blade

- The blade is placed on the bushing (A) between the inner flange washer (B) and the flange washer (C). The flange washer is turned so that it fits on the axle.



- Lock the shaft. Insert a tool in the hole in the cutting head and rotate the blade until it is locked.



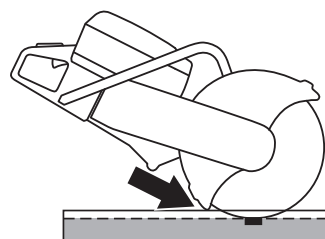
- Tightening torque for the bolt holding the blade is: 25 Nm (18,5 ft-lbs).

## Blade guard

The guard for the cutting equipment should be adjusted so that the rear section is flush with the work piece. Spatter and sparks from the material being cut are then collected up by the guard and led away from the user.

The blade guard is friction locked.

- Press the ends of the guard against the work piece or adjust the guard with the adjustment handle. The guard must always be fitted on the machine.



# ASSEMBLING AND ADJUSTMENTS

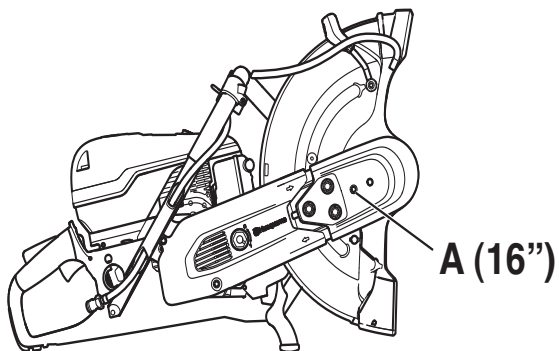
## Reversible cutting head

The machine is fitted with a reversible cutting head allowing cutting close to a wall or at ground level, restricted only by the thickness of the blade guard. In the event of a kickback it is harder to control the machine when cutting with the cutting head reversed. The cutting blade is further away for the centre of the machine which means the handle and the cutting blade are no longer in alignment. It is more difficult to restrain the machine if the blade gets jammed or stuck in its kickback danger zone. See under the "Kickback" heading in the "Operating" section for additional information.

Some of the machine's good ergonomic features are jeopardised such as balance. Cutting with the cutting head reversed should only occur with cuts that are not possible in a standard manner.

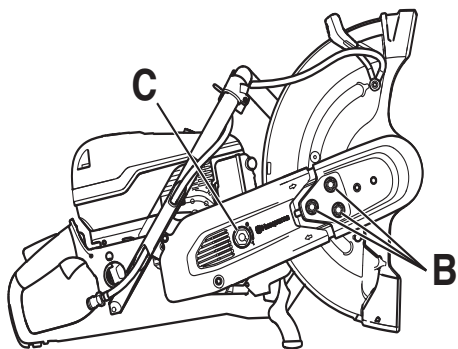
### Applies to 16" only

- Loosen the extra screw (A) holding the upper belt guard.

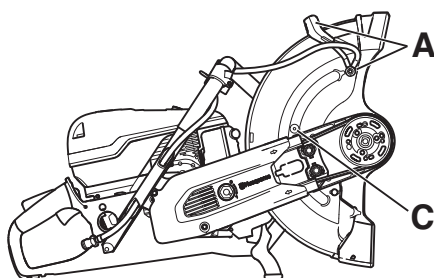


### Following applies to both 14" and 16"

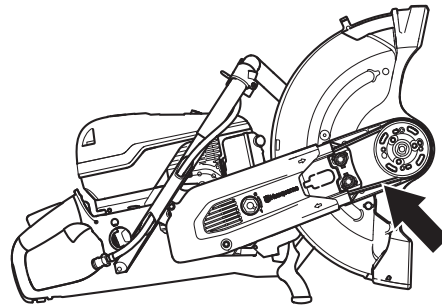
- Loosen the three nuts (B) holding the upper belt guard. Turn the belt tensioner (C) to position "0" to release the tension.



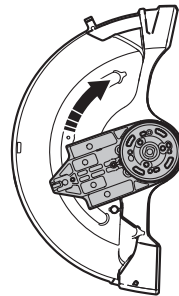
- Remove the upper belt guard.
- Disconnect the water hose and handle from the blade guard (A). Remove the stop (C).



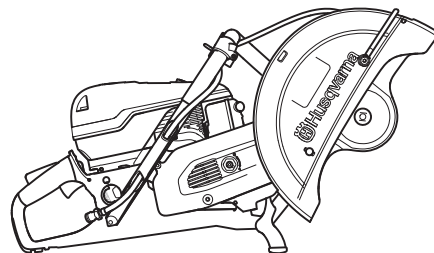
- The cutting head is now loose and can be removed from the machine. Remove the belt from the belt pulley.



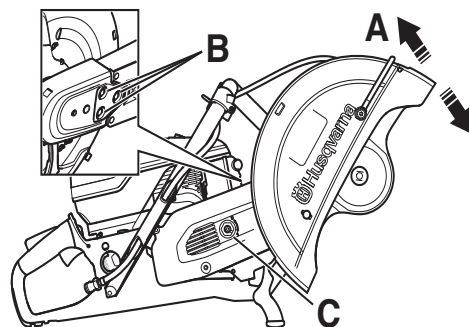
- Rotate the bearing housing to opposite direction and reassemble the stop.



- Attach the cutting head to the other side of the cutting arm.



- Turn the belt tensioner (C) to position "1" to tighten the drive belt.
- Fit the belt guard to the reversed cutting head.
- To obtain the correct drive belt tension, tighten the nuts (B) first and then loosen them 1-2 turns. Wiggle the blade guard (A) up and down 3-5 times, and then tighten the nuts (B) with the combination spanner.



### Applies to 16" only

- Tighten the extra screw.
- Assemble the water hose nipple and the hose on the opposite upper side of the blade guard.

# FUEL HANDLING

## General



**WARNING!** Running an engine in a confined or badly ventilated area can result in death due to asphyxiation or carbon monoxide poisoning. Use fans to ensure proper air circulation when working in trenches or ditches deeper than one meter.

Fuel and fuel fumes are flammable and can cause serious injury when inhaled or allowed to come in contact with the skin. For this reason observe caution when handling fuel and make sure there is adequate ventilation.

The exhaust fumes from the engine are hot and may contain sparks which can start a fire. Never start the machine indoors or near combustible material!

Do not smoke and do not place any hot objects in the vicinity of fuel.

## Fuel

**NOTICE!** The machine is equipped with a two-stroke engine and must always be run using a mixture of petrol and two-stroke oil. It is important to accurately measure the amount of oil to be mixed to ensure that the correct mixture is obtained. When mixing small amounts of fuel, even small inaccuracies can drastically affect the ratio of the mixture.

## Petrol

- Use good quality unleaded or leaded petrol.
- The lowest octane recommended is 90 (RON). If you run the engine on a lower octane grade than 90 so-called knocking can occur. This gives rise to a high engine temperature, which can result in serious engine damage.
- When working at continuous high revs a higher octane rating is recommended.

## Environment fuel

HUSQVARNA recommends the use of alkylate fuel, either Aspen two-stroke fuel or environmental fuel for four-stroke engines blended with two-stroke oil as set out below. Note that carburettor adjustment may be necessary when changing the type of fuel (see the instructions under the heading Carburettor).

Ethanol blended fuel, E10 may be used (max 10% ethanol blend). Using ethanol blends higher than E10 will create lean running condition which can cause engine damage.

## Two-stroke oil

- For best results and performance use HUSQVARNA two-stroke engine oil, which is specially formulated for our air-cooled two-stroke engines.
- Never use two-stroke oil intended for water-cooled engines, sometimes referred to as outboard oil (rated TCW).
- Never use oil intended for four-stroke engines.

## Mixing

- Always mix the petrol and oil in a clean container intended for fuel.
- Always start by filling half the amount of the petrol to be used. Then add the entire amount of oil. Mix (shake) the fuel mixture. Add the remaining amount of petrol.
- Mix (shake) the fuel mixture thoroughly before filling the machine's fuel tank.
- Do not mix more than one month's supply of fuel at a time.

## Mixing ratio

- 1:50 (2%) with HUSQVARNA two-stroke oil or equivalent.

Petrol, litre	Two-stroke oil, litre
	2% (1:50)
5	0,10
10	0,20
15	0,30
20	0,40

- 1:33 (3%) with oils class JASO FB or ISO EGB formulated for air-cooled, two-stroke engines or mix as per recommendation from the oil manufacturer.

# FUEL HANDLING

## Fueling



**WARNING!** Taking the following precautions, will lessen the risk of fire:

**Do not smoke and do not place any hot objects in the vicinity of fuel.**

**Always stop the engine and let it cool for a few minutes before refuelling. The engine should be switched off, and the stop switch in STOP position.**

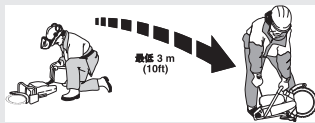
**When refuelling, open the fuel cap slowly so that any excess pressure is released gently.**

**Clean the area around the fuel cap.**

**Tighten the fuel cap carefully after refuelling.**

**If the cap is not properly tightened the cap might vibrate lose and fuel may escape from the fuel tank creating a fire hazard.**

**Move the machine at least 3 m from the refuelling point before starting it.**



Never start the machine:

- If you have spilled fuel or engine oil on the machine. Wipe off the spill and allow the remaining fuel to evaporate.
- If you have spilled fuel on yourself or your clothes, change your clothes. Wash any part of your body that has come in contact with fuel. Use soap and water.
- If the machine is leaking fuel. Check regularly for leaks from the fuel cap and fuel lines.
- Unless the fuel cap is securely tightened after refueling.

## Transport and storage

- Store and transport the machine and fuel so that there is no risk of any leakage or fumes coming into contact with sparks or open flames, for example, from electrical machinery, electric motors, electrical relays/ switches or boilers.
- When storing and transporting fuel always use approved containers intended for this purpose.

## Long-term storage

- When storing the machine for long periods the fuel tank must be emptied. Contact your local petrol station to find out where to dispose of excess fuel.



# OPERATING

## Protective equipment

### General

- Do not use the machine unless you are able to call for help in the event of an accident.

### Personal protective equipment

You must use approved personal protective equipment whenever you use the machine. Personal protective equipment cannot eliminate the risk of injury but it will reduce the degree of injury if an accident does happen. Ask your dealer for help in choosing the right equipment.



**WARNING! The use of products such as cutters, grinders, drills, that sand or form material can generate dust and vapours which may contain hazardous chemicals. Check the nature of the material you intend to process and use an appropriate breathing mask.**

**Long-term exposure to noise can result in permanent hearing impairment. Always use approved hearing protection. Listen for warning signals or shouts when you are wearing hearing protection. Always remove your hearing protection as soon as the engine stops.**

Always wear:

- Approved protective helmet
- Hearing protection
- Approved eye protection. If you use a face shield then you must also wear approved protective goggles. Approved protective goggles must comply with standard ANSI Z87.1 in the USA or EN 166 in EU countries. Visors must comply with standard EN 1731.
- Breathing mask
- Heavy-duty, firm grip gloves.
- Tight-fitting, heavy-duty and comfortable clothing that permits full freedom of movement. Cutting generates sparks that can ignite clothing. Husqvarna recommends that you wear flame-retardant cotton or heavy denim. Do not wear clothing made of material such as nylon, polyester or rayon. If ignited such material can melt and cling to the skin. Do not wear shorts
- Boots with steel toe-caps and non-slip sole.

### Other protective equipment



**CAUTION! Sparks may appear and start a fire when you work with the machine. Always keep fire fighting equipment handy.**

- Fire Extinguisher

- Always have a first aid kit nearby.

## General safety precautions

This section describes basic safety directions for using the machine. This information is never a substitute for professional skills and experience.

- Please read the operator's manual carefully and make sure you understand the instructions before using the machine. It is recommended that first time operators also obtain practical instruction before using the machine.
- Keep in mind that it is you, the operator that is responsible for not exposing people or their property to accidents or hazards.
- The machine must be kept clean. Signs and stickers must be fully legible.

## Always use common sense

It is not possible to cover every conceivable situation you can face. Always exercise care and use your common sense. If you get into a situation where you feel unsafe, stop and seek expert advice. Contact your dealer, service agent or an experienced user. Do not attempt any task that you feel unsure of!



**WARNING! The machine can be a dangerous tool if used incorrectly or carelessly, which can cause serious or fatal injury to the operator or others.**

**Never allow children or other persons not trained in the use of the machine to use or service it.**

**Never allow anyone else to use the machine without first ensuring that they have read and understood the contents of the operator's manual.**

**Never use the machine if you are fatigued, while under the influence of alcohol or drugs, medication or anything that could affect your vision, alertness, coordination or judgement.**

# OPERATING



**WARNING! Unauthorized modifications and/or accessories may lead to serious injury or death to the user or others. Under no circumstances may the design of the machine be modified without the permission of the manufacturer.**

**Do not modify this product or use it if it appears to have been modified by others.**

**Never use a machine that is faulty. Carry out the safety checks, maintenance and service instructions described in this manual. Some maintenance and service measures must be carried out by trained and qualified specialists. See instructions under the Maintenance heading.**

**Always use genuine accessories.**



**WARNING! This machine produces an electromagnetic field during operation. This field may under some circumstances interfere with active or passive medical implants. To reduce the risk of serious or fatal injury, we recommend persons with medical implants to consult their physician and the medical implant manufacturer before operating this machine.**

## Work area safety



**WARNING! The safety distance for the power cutter is 15 metres (50 foot). You are responsible to ensure that animals and onlookers are not within the working area. Do not start cutting until the working area is clear and you are standing firmly.**

- Observe your surroundings to ensure that nothing can affect your control of the machine.
- Ensure that no one/nothing can come into contact with the cutting equipment or be hit by parts thrown by the blade.
- Do not use the machine in bad weather, such as dense fog, heavy rain, strong wind, intense cold, etc. Working in bad weather is tiring and can lead to dangerous conditions, e.g. slippery surfaces.
- Never start to work with the machine before the working area is clear and you have a firm foothold. Look out for any obstacles with unexpected movement. Ensure when cutting that no material can become loose and fall, causing injury to the operator. Take great care when working on sloping ground.

- Ensure that the working area is sufficiently illuminated to create a safe working environment.
- Make sure that no pipes or electrical cables are routed in the working area or in the material to be cut.
- If cutting into a container (drum, pipe, or other container) you must first make sure it does not contain flammable or other volatile material.

## Basic working techniques



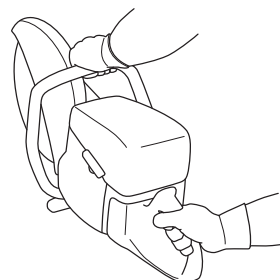
**WARNING! Do not pull the power cutter to one side, this can cause the blade to jam or break resulting in injury to people.**

**Under all circumstances avoid grinding using the side of the blade; it will almost certainly be damaged or break and can cause immense damage. Only use the cutting section.**

**Never use a diamond blade to cut plastic material. The heat produced during cutting may melt the plastic and it can stick to the cutting blade and cause a kickback.**

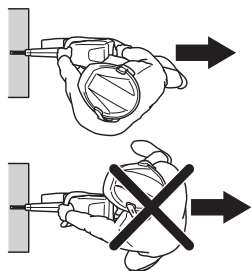
**Cutting metal generates sparks that may cause fire. Do not use the machine near ignitable substances or gases.**

- The machine is designed and intended for cutting with abrasive blades or diamond blades intended for high speed handheld machines. The machine shall not be used with any other type of blade, or for any other type of cutting.
- Check that the cutting blade is fitted correctly and does not show signs of damage. See the instructions in the sections "Cutting blades" and "Assembly and adjustments".
- Check that the correct cutting blade is used for the application in question. See instructions in the section "Cutting blades".
- Never cut asbestos materials!
- Hold the saw with both hands; keep a firm grip with thumbs and fingers encircling the handles. The right hand should be on the rear handle and the left hand on the front handle. All operators, weather right or left handed shall use this grip. Never operate a power cutter holding it with only one hand.

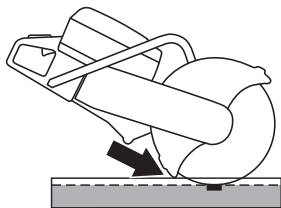


# OPERATING

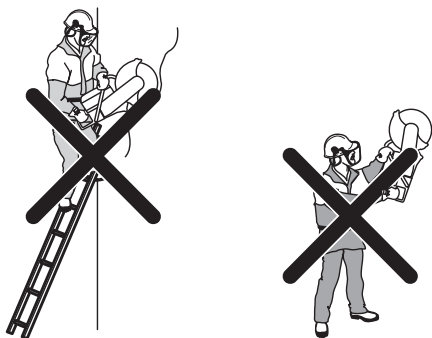
- Stand parallel to the cutting blade. Avoid standing straight behind. In the event of a kickback the saw will move in the plane of the cutting blade.



- Maintain a safe distance from the cutting blade when the engine is running.
- Never leave the machine unsupervised with the motor running.
- Never move the machine when the cutting equipment is rotating. The machine is equipped with a friction retarder to shorten the blade stop time.
- The guard for the cutting equipment should be adjusted so that the rear section is flush with the work piece. Spatter and sparks from the material being cut are then collected up by the guard and led away from the user. The guards for the cutting equipment must always be fitted when the machine is running.



- Never use the kickback zone of the blade **for cutting**. See instructions under the heading "Kickback".
- Keep a good balance and a firm foothold.
- Never cut above shoulder height.
- Never cut from a ladder. Use a platform or scaffold if the cut is above shoulder height. Do not overreach

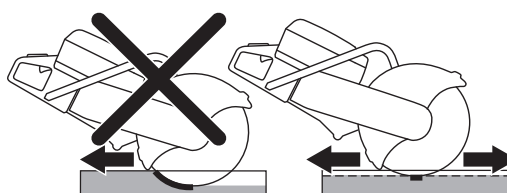


- Stand at a comfortable distance from the work piece.
- Check that the blade is not in contact with anything when the machine is started
- Apply the cutting blade gently with high rotating speed (full throttle) Maintain full speed until cutting is complete.
- Let the machine work without forcing or pressing the blade.

- Feed down the machine in line with the blade. Pressure from the side can damage the blade and is very dangerous.



- Move the blade slowly forwards and backwards to achieve a small contact area between the blade and the material to be cut. This reduces the temperature of the blade and ensures effective cutting.



## Managing dust

The machine is fitted with a low flushing water kit that offers maximum dust suppression.

Use wet cutting blades with water cooling when possible for optimal dust management. See instructions in the section "Cutting blades".

Adjust water flow using the tap to bind the cutting dust. The volume of water required varies depending on the type of job at hand.

If water hoses loosen from their supply sources, this indicates that the machine is connected to a water pressure that is too high. See instructions under the "Technical data" heading for recommended water pressure.

## Cutting with toothed/carbide tipped blades during rescue operations



**WARNING! A power cutter should never be used with carbide tipped blade for non-emergency work, such as in the construction trades.**

**Be aware at all times that carbide tipped blades are more kickback prone than abrasive or diamond blades if not used properly.**

If the public safety force (fire department) that purchased this power cutter has decided to equip this unit with a carbide tipped blade for rescue operations, the following safety considerations must be adhered to.

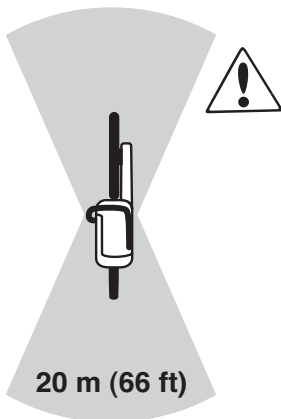
# OPERATING

## Training and protective equipment

- Only operators trained in the use of cutting with a power cutter equipped with carbide tipped blade shall be allowed to operate the power cutter.
- Full protective fire fighting gear shall be worn by the operator at all times.
- A full face shield (not just protective eye glasses) shall be worn by the operator to protect the face from flying debris or a sudden kick-back of the power cutter.

## Risk area

No persons that do not have the protective equipment described above shall be allowed inside the risk area for thrown material.

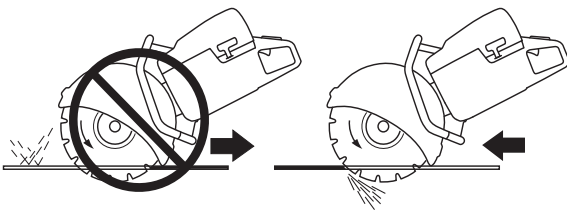


## Blade speed

Apply the cutting blade gently with high rotating speed (full throttle) Maintain full speed until cutting is complete. Low blade speed, especially in hard and thin materials can result in jamming and the breaking-off of the carbide tips.

## Thin material

Cutting thin and hard material (i.e. a sheet metal covered roof) should be conducted in a forward direction for best control.



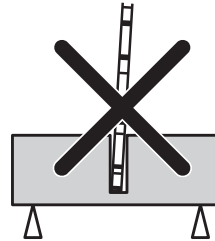
## Pinching or jamming

Make a careful evaluation of how the object will move during the final stage of the cutting to avoid pinching or jamming. The cut must open during the cut. If the object sags and the cut begins to close the blade may pinch, possibly resulting in a kick-back or damage to the blade.



## Cutting in line

Skewing or twisting in the line of cut will reduce cutting efficiency and damage the blade.



## Before each rescue operation

Check that the blade and the blade guard is not damaged or cracked. Replace the blade or the blade guard if it has been exposed to impact or is cracked.

- Check that no carbide tips have loosened from the cutting blade.
- Check that the blade is not skew or shows signs of cracking or other defects.

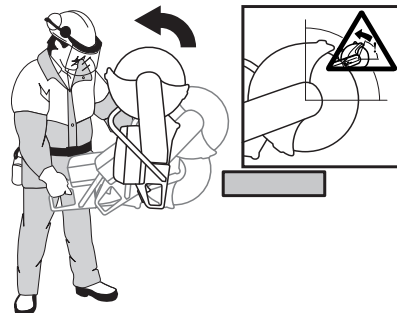
When cutting in hard materials carbide tipped blades will rapidly lose its sharpness. For best performance during rescue operations we recommend that a new blade be installed.

## Kickback



**WARNING! Kickbacks are sudden and can be very violent. The power cutter can be thrown up and back towards the user in a rotating motion causing serious or even fatal injury. It is vital to understand what causes kickback and how to avoid it before using the machine.**

Kickback is the sudden upward motion that can occur if the blade is pinched or stalled in the kickback zone. Most kickbacks are small and pose little danger. However a kickback can also be very violent and throw the power cutter up and back towards the user in a rotating motion causing serious or even fatal injury.

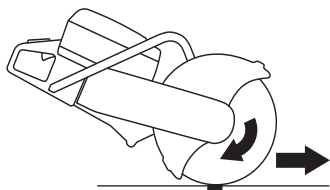


## Reactive force

A reactive force is always present when cutting. The force pulls the machine in the opposite direction to the blade rotation. Most of the time this force is insignificant. If the

# OPERATING

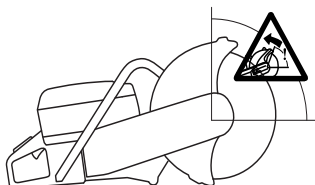
blade is pinched or stalled the reactive force will be strong and you might not be able to control the power cutter.



Never move the machine when the cutting equipment is rotating. Gyroscopic forces can obstruct the intended movement.

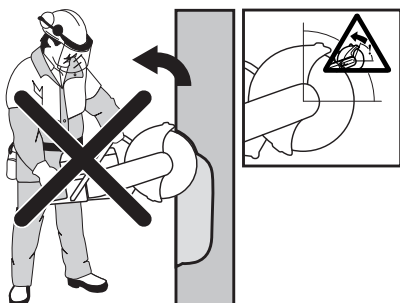
## Kickback zone

Never use the kickback zone of the blade **for cutting**. If the blade is pinched or stalled in the kickback zone, the reactive force will push the power cutter up and back towards the user in a rotating motion causing serious or even fatal injury.



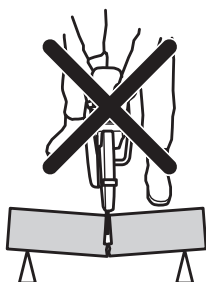
## Climbing kickback

If the kickback zone is used for cutting the reactive force drives the blade to climb up in the cut. Do not use the kickback zone. Use the lower quadrant of the blade to avoid climbing kickback.



## Pinching kickback

Pinching is when the cut closes and pinches the blade. If the blade is pinched or stalled the reactive force will be strong and you might not be able to control the power cutter.



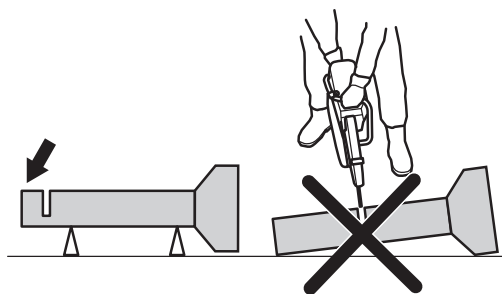
If the blade is pinched or stalled in the kickback zone, the reactive force will push the power cutter up and back towards the user in a rotating motion causing serious or even fatal injury. Be alert for potential movement of the

work piece. If the work piece is not properly supported and shifts as you cut, it might pinch the blade and cause a kick back.

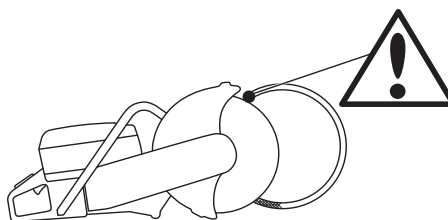
## Pipe cutting

Special care should be taken when cutting in pipes. If the pipe is not properly supported and the cut kept open through out the cutting, the blade might be pinched in the kickback zone and cause a severe kickback. Be especially alert when cutting a pipe with a belled end or a pipe in a trench that, if not properly supported, may sag and pinch the blade.

Before starting the cut the pipe must be secure so it does not move or roll during cutting.

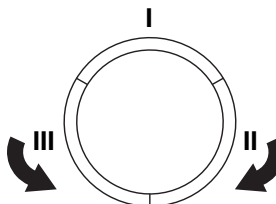


If the pipe is allowed to sag and close the cut, the blade will be pinched in the kick back zone and a severe kick back might develop. If the pipe is properly supported the end of the pipe will move downward, the cut will open and no pinching will occur.



## Proper sequence cutting a pipe

- 1 First cut section I.
- 2 Move to side II and cut from section I to bottom of the pipe.
- 3 Move to side III and cut the remaining part of the pipe ending at the bottom.



## How to avoid kickback

Avoiding kickback is simple.

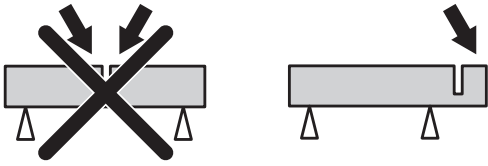
- The work piece must always be supported so that the cut stays open when cutting through. When the cut

---

# OPERATING

---

opens there is no kickback. If the cut closes and pinches the blade there is always a risk of kickback.



- Take care when inserting the blade in an existing cut.
- Be alert to movement of the work piece or anything else that can occur, which could cause the cut to close and pinch the blade.

## Transport and storage

- Secure the equipment during transportation in order to avoid transport damage and accidents.
- Do not store or transport the power cutter with the cutting blade fitted.
- For transport and storage of cutting blades, see the section "Cutting blades".
- For transport and storage of fuel, see the section "Fuel handling".
- Store the equipment in a lockable area so that it is out of reach of children and unauthorized persons.

# STARTING AND STOPPING

## Before starting



**WARNING!** Note the following before starting: Please read the operator's manual carefully and make sure you understand the instructions before using the machine.

Wear personal protective equipment. See under heading "Personal protective equipment".

Do not start the machine without the belt and belt guard fitted. Otherwise the clutch could come loose and cause personal injuries.

Check that the fuel cap is properly secured, and that there is no fuel leakage.

Make sure no unauthorised persons are in the working area, otherwise there is a risk of serious personal injury.

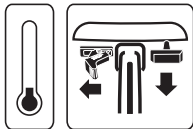
- Perform daily maintenance. See instructions in the section "Maintenance".

## Starting

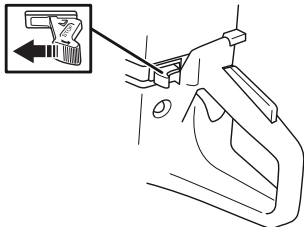


**WARNING!** The cutting blade rotates when the engine is started. Make sure it can rotate freely.

### With a cold engine:



- Make sure that the stop switch (STOP) is in the left position.

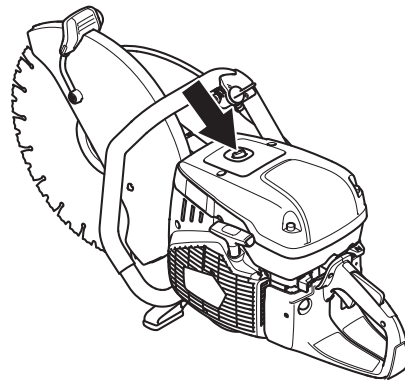


- Start throttle position and choke is obtained by pulling out the choke control completely.

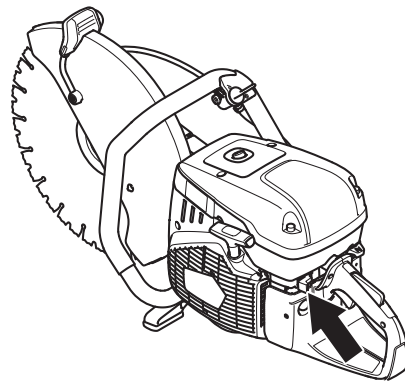


- **Decompression valve:** Press in the valve to reduce the pressure in the cylinder, this is to assist starting the power cutter. The decompression valve should always be used when starting. The valve

automatically returns to its initial position when the machine starts.



- Press the air purge diaphragm repeatedly until fuel begins to fill the diaphragm (about 6 times). The diaphragm need not be completely filled.



- Grip the front handle with your left hand. Put your right foot on the lower section of the rear handle pressing the machine against the ground. Pull the starter handle with your right hand until the engine starts. **Never twist the starter cord around your hand.**



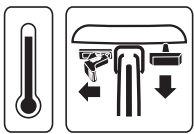
# STARTING AND STOPPING

- Push in the choke control as soon as the engine starts, with the choke pulled out the engine will stop after a few seconds. (If the engine stops anyway, pull the starter handle again.)
- Press the throttle trigger to disengage the start throttle and the machine will idle.

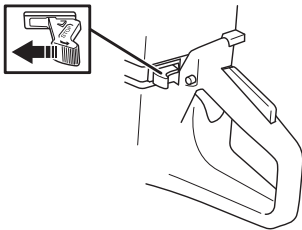
**NOTICE!** Pull with your right hand out the starter cord slowly until you feel a resistance (as the starter pawls engage) and then pull firmly and rapidly.

Do not pull the starter cord all the way out and do not let go of the starter handle when the cord is fully extended. This can damage the machine.

## With a warm engine:



- Make sure that the stop switch (STOP) is in the left position.



- Set the choke control in the choke position. The choke position is also the automatic start throttle position.



- **Decompression valve:** Press in the valve to reduce the pressure in the cylinder, this is to assist starting the power cutter. The decompression valve should always be used when starting. The valve automatically returns to its initial position when the machine starts.



- Push the choke control to disable the choke (the start throttle position remains).



- Grip the front handle with your left hand. Put your right foot on the lower section of the rear handle pressing the machine against the ground. Pull the starter

handle with your right hand until the engine starts.  
**Never twist the starter cord around your hand.**



- Press the throttle trigger to disengage the start throttle and the machine will idle.

**NOTICE!** Pull with your right hand out the starter cord slowly until you feel a resistance (as the starter pawls engage) and then pull firmly and rapidly.

Do not pull the starter cord all the way out and do not let go of the starter handle when the cord is fully extended. This can damage the machine.



**WARNING!** When the engine is running the exhaust contains chemicals such as unburned hydrocarbons and carbon monoxide. The content of the exhaust fumes is known to cause respiratory problems, cancer, birth defects or other reproductive harm.

Carbon monoxide is colorless and tasteless and is always present in exhaust fumes. The onset of carbon monoxide poisoning is distinguished by a slight dizziness which may or may not be recognized by the victim. A person may collapse and lapse into unconsciousness with no warning if the concentration of carbon monoxide is sufficiently high. Since carbon monoxide is colorless and odorless, its presence can not be detected. Any time exhaust odors are noticed, carbon monoxide is present. Never use a petrol powered power cutter indoors or in trenches more than 3 foot (1 meter) deep or in other areas with poor ventilation. Ensure proper ventilation when working in trenches or other confined areas.



---

# STARTING AND STOPPING

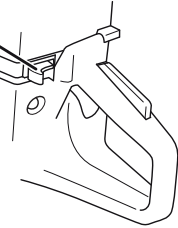
---

## Stopping



**CAUTION!** The cutting blade continues to rotate up to a minute after the motor has stopped. (Blade coasting.) Make sure that the cutting blade can rotate freely until it is completely stopped. Carelessness can result in serious personal injury.

- Stop the engine by moving the stop switch (STOP) to the right.



# MAINTENANCE

## General



**WARNING!** The user must only carry out the maintenance and service work described in this Operator's Manual. More extensive work must be carried out by an authorized service workshop.

The engine should be switched off, and the stop switch in STOP position.

Wear personal protective equipment. See under heading "Personal protective equipment".

The life span of the machine can be reduced and the risk of accidents can increase if machine maintenance is not carried out correctly and if service and/or repairs are not carried out professionally. If you need further information please contact your nearest service workshop.

- Let your Husqvarna dealer regularly check the machine and make essential adjustments and repairs.

## Maintenance schedule

In the maintenance schedule you can see which parts of your machine that require maintenance, and with which intervals it should take place. The intervals are calculated based on daily use of the machine, and may differ depending on the rate of usage.

Daily maintenance	Weekly maintenance	Monthly maintenance
<b>Cleaning</b>	<b>Cleaning</b>	<b>Cleaning</b>
External cleaning		Spark plug
Cooling air intake		Fuel tank
<b>Functional inspection</b>	<b>Functional inspection</b>	<b>Functional inspection</b>
General inspection	Vibration damping system*	Fuel system
Throttle lockout*	Muffler*	Air filter
Stop switch*	Drive belt	Drive gear, clutch
Blade guard*	Carburettor	
Cutting blade**	Starter housing	

\*See instructions in the section "Machine's safety equipment".

\*\* See instructions in the section "Cutting blades" and "Assembly and settings".

## Cleaning

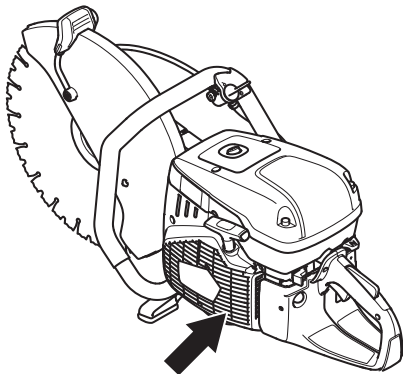
### External cleaning

- Clean the machine daily by rinsing it with clean water after the work is finished.

# MAINTENANCE

## Cooling air intake

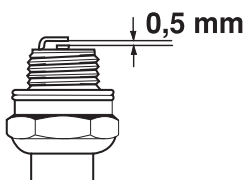
- Clean the cooling air intake when needed.



**NOTICE!** A dirty or blocked air intake results in the machine overheating which causes damage to the piston and cylinder.

## Spark plug

- If the machine is low on power, difficult to start or runs poorly at idle speed: always check the spark plug first before taking other steps.
- Ensure that the spark plug cap and ignition lead are undamaged to avoid the risk of electric shock.
- If the spark plug is dirty, clean it and at the same time check that the electrode gap is 0.5 mm. Replace if necessary.



**NOTICE!** Always use the recommended spark plug type! Use of the wrong spark plug can damage the piston/cylinder.

These factors cause deposits on the spark plug electrodes, which may result in operating problems and starting difficulties.

- An incorrect fuel mixture (too much or incorrect type of oil).
- A dirty air filter.

## Functional inspection

### General inspection

- Check that nuts and screws are tight.

### Drive belt

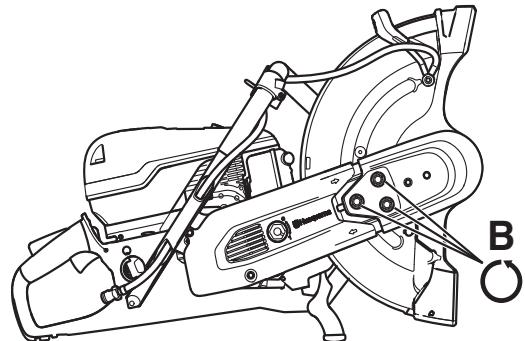
#### Tensioning the drive belt

The tension of a new drive belt must be readjusted after one or two tanks of fuel have been used.

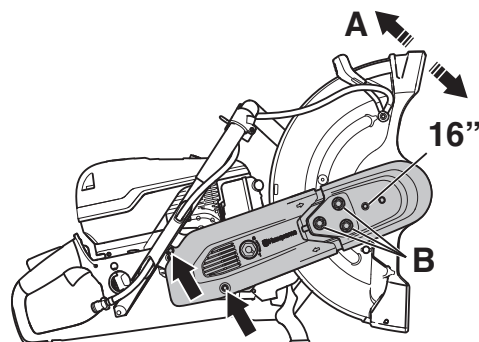
When the machine is equipped with a friction retarder, a scraping sound can be heard from the bearing housing when the blade is turned by hand. This is quite normal. Please contact an accredited Husqvarna workshop if you have any questions.

The drive belt is enclosed and well protected from dust and dirt.

- Loosen the three bolts (B) one turn anticlockwise.



- Wiggle the blade guard (A) up and down 3-5 times, and then tighten the nuts (B) with the combination spanner.

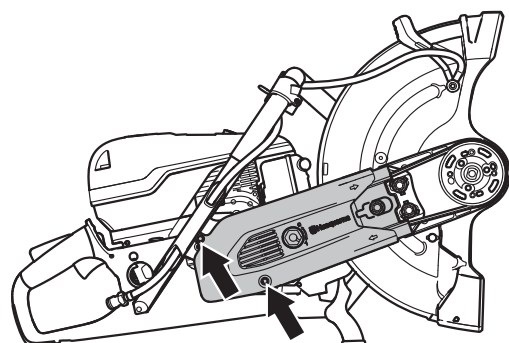


### Replacing the drive belt



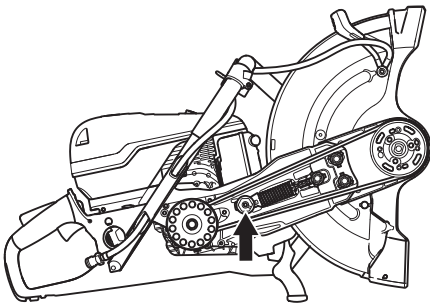
**WARNING!** Never start the engine when the belt pulley and clutch are removed for maintenance. Do not start the machine without the cutting arm or cutting head fitted. Otherwise the clutch could come loose and cause personal injuries.

- Dismantle the cutting head, see instructions under heading "Reversible cutting head".
- Now remove the rear belt guard.

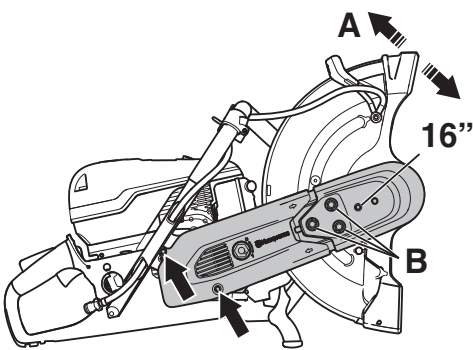


# MAINTENANCE

- Replace the drive belt. Turn the belt tensioner to position "1" to tighten the drive belt.



- Fit the belt guards and tighten the nuts (B) finger tight. Wiggle the blade guard (A) up and down 3-5 times, and then tighten the nuts (B) with the combination spanner.



## Carburettor

The carburettor is equipped with fixed needles to ensure the machine always receives the correct mixture of fuel and air. When the engine lacks power or accelerates poorly, do the following:

- Check the air filter and replace if necessary. When this does not help, contact an authorised service workshop.

## Adjusting the idle speed

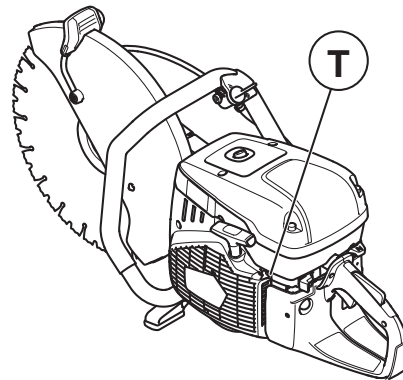


**CAUTION!** Contact your dealer/service workshop, if the idle setting cannot be adjusted so that the blades are stationary. Do not use the machine until it has been properly adjusted or repaired.

Start the engine and check the idling setting. When the carburettor is set correctly the cutting blade should be still while engine is idling.

- Adjust the idle speed using the T screw. When an adjustment is necessary, first turn the screw clockwise

until the blade starts to rotate. Now turn the screw anti-clockwise until the blade stops rotating.



Rec. idle speed: 2700 rpm

## Starter housing

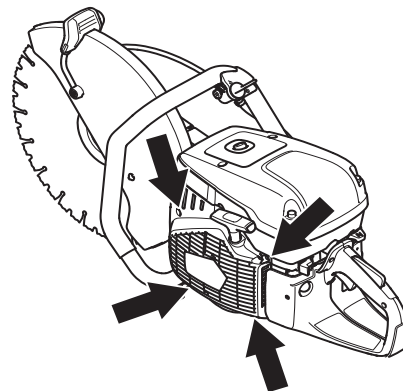


**WARNING!** When the recoil spring is wound up in the starter housing it is under tension and can, if handled carelessly, pop out and cause personal injury.

Always be careful when changing the recoil spring or the starter cord. Always wear protective goggles.

## Changing a broken or worn starter cord

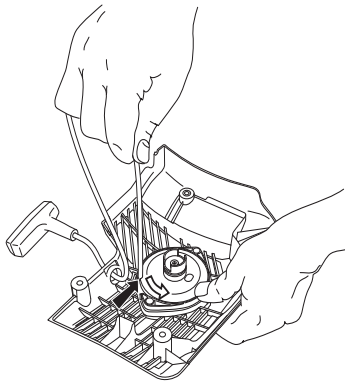
- Loosen the screws that hold the starter against the crankcase and remove the starter.



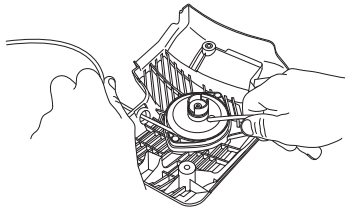
- Pull the cord out about 30 cm and lift it into the cut-out in the periphery of the starter pulley. When the cord is

# MAINTENANCE

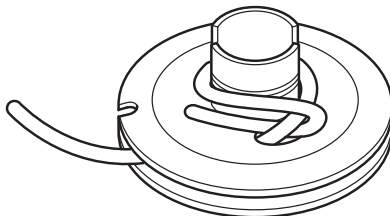
intact: Release the spring tension by letting the pulley rotate slowly backwards.



- Remove any remnants of the old starter cord and check that the return spring works. Insert the new starter cord through the hole in the starter housing and in the cord pulley.

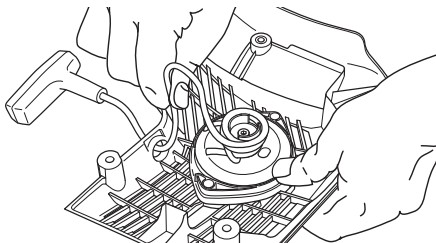


- Secure the starter cord around the cord pulley as illustrated. Tighten the fastening well and ensure that the free end is as short as possible. Secure the end of the starter cord in the starter handle.



## Tensioning the recoil spring

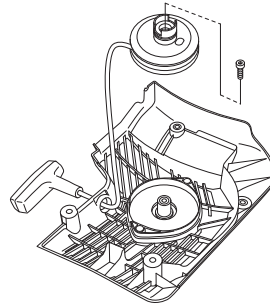
- Guide the cord through the cut-out in the periphery of the pulley and wind the cord 3 times clockwise around the centre of the starter pulley.



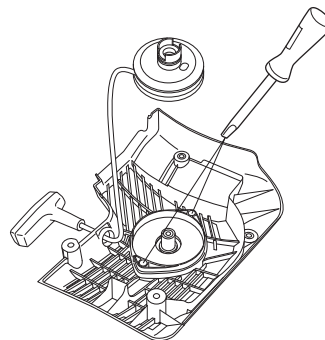
- Now pull the starter handle and in doing so tension the spring. Repeat the procedure once more, but this time with four turns.
- Note that the starter handle is drawn to its correct home position after tensioning the spring.
- Check that the spring is not drawn to its end position by pulling out the starter line fully. Slow the starter pulley with your thumb and check that you can turn the pulley at least a further half turn.

## Changing a broken recoil spring

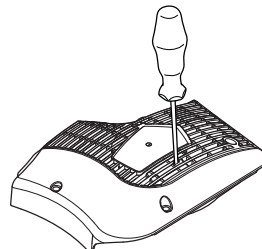
- Undo the bolt in the centre of the pulley and remove the pulley.



- Bear in mind that the return spring lies tensioned in the starter housing.
- Loosen the bolts holding the spring cassette.



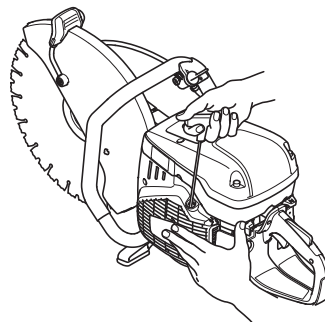
- Remove the recoil spring by turning the starter over and loosen the hooks, with the help of a screwdriver. The hooks hold the return spring assembly on the starter.



- Lubricate the recoil spring with light oil. Fit the pulley and tension the recoil spring.

## Fitting the starter

- To fit the starter, first pull out the starter cord and place the starter in position against the crankcase. Then slowly release the starter cord so that the pulley engages with the pawls.



- Tighten the screws.

# MAINTENANCE

## Fuel system

### General

- Check that the fuel cap and its seal are not damaged.
- Check the fuel hose. Replace when damaged.

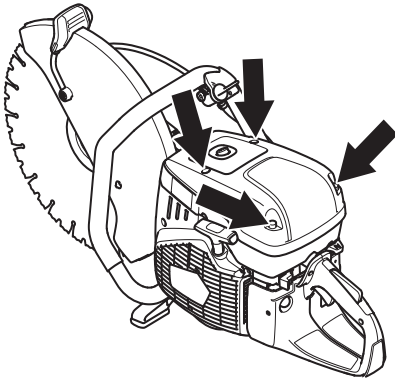
### Fuel filter

- The fuel filter sits inside the fuel tank.
- The fuel tank must be protected from contamination when filling. This reduces the risk of operating disturbances caused by blockage of the fuel filter located inside the tank.
- The filter cannot be cleaned but must be replaced with a new filter when it is clogged. **The filter should be changed at least once per year.**

## Air filter

The air filter only needs to be checked if the engine drops in power.

- Loosen the screws. Remove the air filter cover.

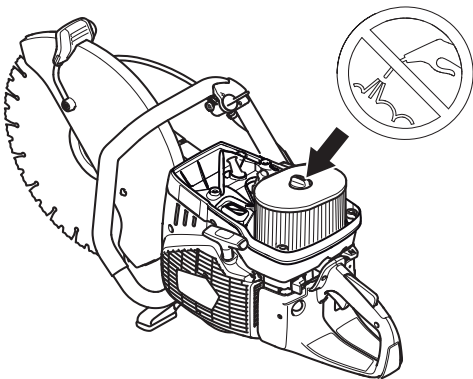


- Check the air filter and replace if necessary.

### Replacing the air filter

**NOTICE!** The air filter must not be cleaned or blown clean with compressed air. This will damage the filter.

- Remove the screw.



- Replace the air filter.

## Drive gear, clutch

- Check the clutch centre, drive gear and clutch spring for wear.

# TROUBLESHOOTING

## Troubleshooting schedule



**WARNING!** If service operations or trouble shooting does not require the machine to be on, the engine should be switched off, and the stop switch in STOP position.

Problem	Probable cause	Potential Solution
The machine does not start	Incorrect starting procedure.	See instructions under the heading Starting and stopping.
	Stop switch in the right (STOP) position	Make sure that the stop switch (STOP) is in the left position.
	There is no fuel in the fuel tank	Refill with fuel
	Spark plug defective	Replace the spark plug.
	Defective clutch	Contact your service agent.
The blade rotates at idle	Idle speed too high	Adjust the idle speed
	Defective clutch	Contact your service agent.
The blade does not rotate while throttling up	Belt too loose or defective	Tighten the belt / Replace the belt with a new one
	Defective clutch	Contact your service agent.
	Blade fitted incorrectly	Make sure the blade is properly installed.
The machine has no power while attempting to throttle up	Clogged air filter	Check the air filter and replace if necessary.
	Clogged fuel filter	Replace the fuel filter.
	Fuel tank vent blocked	Contact your service agent.
Vibration levels are too high	Blade fitted incorrectly	Check that the cutting blade is fitted correctly and does not show signs of damage. See the instructions in the sections "Cutting blades" and "Assembly and adjustments".
	Blade defective	Change the blade and make sure it is intact.
	Vibration damping elements defective	Contact your service agent.
Temperature of the machine is too high	Air intake or cooling flanges blocked	Clean the machine's air intake/cooling flanges
	Belt slipping	Check belt / adjust the tension
	Clutch slipping / is defective	Always cut at full throttle.
		Check clutch / contact your service agent

# TECHNICAL DATA

## Technical data

Technical data	K970 III, K970 III Rescue
<b>Engine</b>	
Cylinder displacement, cm <sup>3</sup> /cu.in	93,6/5,7
Cylinder bore, mm/inch	56/2,2
Stroke, mm/inch	38/1,5
Idle speed, rpm	2700
Wide open throttle - no load, rpm	9300 (+/- 150)
Power, kW/hp @ rpm	4,8/6,5 @ 9000
<b>Ignition system</b>	
Manufacturer of ignition system	SEM
Type of ignition system	CD
Spark plug	NGK BPMR 7A/ Champion RCJ 6Y
Electrode gap, mm/inch	0,5/0,02
<b>Fuel and lubrication system</b>	
Manufacturer of carburettor	Walbro
Carburettor type	RWJ-7
Fuel tank capacity, liters/US fl.Oz	1/33,8
<b>Water cooling</b>	
Recommended water pressure, bar/PSI	0,5-10/7-150

Weight	14" (350 mm)	16" (400 mm)
Power cutter without fuel and cutting blade, kg/lb	11,0/24,3	11,6/25,6
<b>Spindle, output shaft</b>		
Max spindle speed, rpm	4700	4300
Max. peripheral speed, m/s / ft/min	90/18000	90/18000

<b>Noise emissions (see note 1)</b>		
Sound power level, measured dB (A)	114	114
Sound power level, guaranteed L <sub>WA</sub> dB (A)	115	115
<b>Sound levels (see note 2)</b>		
Equivalent sound pressure level at the operator's ear, dB(A)	104	104
<b>Equivalent vibration levels, a<sub>hveq</sub> (see note 3)</b>		
Front handle, m/s <sup>2</sup>	3,8	3,5
Rear handle, m/s <sup>2</sup>	4,2	4,0

Note 1: Noise emissions in the environment measured as sound power (L<sub>WA</sub>) in conformity with EC directive 2000/14/EC. The difference between guaranteed and measured sound power is that the guaranteed sound power also includes dispersion in the measurement result and the variations between different machines of the same model according to Directive 2000/14/EC.

Note 2: Equivalent sound pressure level, according to EN ISO 19432, is calculated as the time-weighted energy total for different sound pressure levels under various working conditions. Reported data for equivalent sound pressure level for the machine has a typical statistical dispersion (standard deviation) of 1 dB (A).

Note 3: Equivalent vibration level, according to EN ISO 19432, is calculated as the time-weighted energy total for vibration levels under various working conditions. Reported data for equivalent vibration level has a typical statistical dispersion (standard deviation) of 1 m/s<sup>2</sup>.



## TECHNICAL DATA

### Recommended abrasive and diamond cutting blade, specification

Cutting blade diameter, inch/mm	Max cutting depth, mm/inch	Blade speed rating, rpm	Blade speed rating, m/s / ft/min	Blade center hole diameter	Max blade thickness, mm/inch
14" (350 mm)	125/5	5500	100/19600	25,4 mm /1" or 20 mm	5/0,2
16" (400 mm)	155/6	4775	100/19600	25,4 mm /1" or 20 mm	5/0,2

### EC Declaration of Conformity

#### (Applies to Europe only)

Husqvarna AB, SE-561 82 Huskvarna, Sweden, tel: +46-36-146500, declares under sole responsibility that the power cutter **Husqvarna K970 III, K970 III Rescue** dating from 2016 serial numbers and onward (the year is clearly stated on the type plate, followed by the serial number), complies with the requirements of the COUNCIL'S DIRECTIVE:

- of May 17, 2006 "relating to machinery" **2006/42/EC**.
- of February 26, 2014 "relating to electromagnetic compatibility" **2014/30/EU**.
- of May 8, 2000 "relating to the noise emissions in the environment" **2000/14/EC**. Conformity assessment according to Annex V.

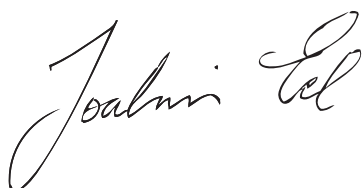
For information relating to noise emissions, see the Technical data chapter.

The following standards have been applied: **EN ISO 12100:2010, EN ISO 14982:2009, CISPR12:2007+AMD1:2009, EN55012:2008+A1:2009, EN ISO 19432:2012**

Notified body: 0404, SMP Svensk Maskinprovning AB, Box 7035, SE-750 07 Uppsala, Sweden, has performed voluntary type examination in accordance with the machinery directive (2006/42/EC) on behalf of Husqvarna AB. The certificate has the number: SEC/10/2286.

In addition, SMP, Svensk Maskinprovning AB, Box 7035, SE-750 07 Uppsala, Sweden, has certified conformity with annex V of the Council's Directive of May 8, 2000 "relating to the noise emissions in the environment" 2000/14/EC. The certificate has the number: 01/169/034 - K970 III, K970 III Rescue

Gothenburg 13 January 2016



Joakim Ed

Global R&D Director

Construction Equipment Husqvarna AB

(Authorized representative for Husqvarna AB and responsible for technical documentation.)

# EXPLICATION DES SYMBOLES

## Version du manuel

Ce manuel est la version internationale utilisée pour tous les pays francophones en dehors de l'Amérique du Nord. Si vous êtes installé en Amérique du Nord, utilisez la version américaine.

## Symboles sur la machine

**AVERTISSEMENT!** La machine utilisée de manière imprudente ou inadéquate peut devenir un outil dangereux, pouvant causer des blessures graves voire mortelles à l'utilisateur et aux autres personnes présentes.

Lire attentivement et bien assimiler le manuel d'utilisation avant d'utiliser la machine.

Utiliser les équipements de protection personnelle. Voir au chapitre "Équipement de protection personnelle".

Ce produit est conforme aux directives CE en vigueur.

**AVERTISSEMENT!** Au cours de la découpe, la poussière générée peut occasionner des blessures si elle est aspirée. Utiliser une protection respiratoire approuvée. Éviter d'inhaler des vapeurs d'essences et des gaz d'échappement. Veiller à disposer d'une bonne ventilation.

**AVERTISSEMENT!** Les rebonds peuvent être soudains, rapides et violents et peuvent générer des blessures pouvant être mortelles. Lire et assimiler les instructions du manuel avant d'utiliser la machine.

**AVERTISSEMENT!** Les étincelles du disque découpeur peuvent provoquer un incendie en cas de contact avec des matières inflammables telles que l'essence, le bois, les vêtements, l'herbe sèche, etc.

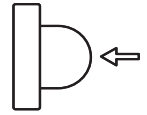
Vérifier que les lames ne comportent ni fissures ni autre dommage.

N'utilisez pas de lames de scie circulaire.

Starter.



Pompe à carburant



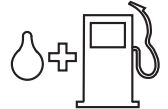
Décompresseur



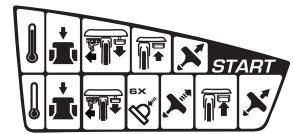
Poignée de lanceur



Remplissage d'essence/de mélange d'huile



Autocollant des instructions de démarrage Voir les instructions au chapitre Démarrage et arrêt.



Autocollant de l'équipement de coupe  
A= Diamètre du disque découpeur

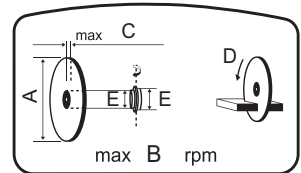
B= Régime maxi. recommandé de l'axe sortant

C= Épaisseur max. du disque

D= Sens de rotation du disque

E= Dimensions de la bague

Émissions sonores dans l'environnement selon la directive de la Communauté européenne. Les émissions de la machine sont indiquées au chapitre Caractéristiques techniques et sur les autocollants.



**Les autres symboles/autocollants présents sur la machine concernent des exigences de certification spécifiques à certains marchés.**



**AVERTISSEMENT!** Toute altération du moteur a pour effet d'annuler l'homologation de type UE de ce produit.

---

# EXPLICATION DES SYMBOLES

---

## Explication des niveaux d'avertissement

Il existe trois niveaux d'avertissement.

### AVERTISSEMENT!



**AVERTISSEMENT!** Désigne une situation dangereuse qui, si elle n'est pas évitée, peut entraîner des blessures graves, voire mortelles.

### REMARQUE !



**REMARQUE !** Désigne une situation dangereuse qui, si elle n'est pas évitée, peut entraîner des blessures mineures ou modérées.

### ATTENTION !

**ATTENTION !** Sert à désigner des pratiques sans risque de blessures corporelles.

# SOMMAIRE

## Sommaire

<b>EXPLICATION DES SYMBOLES</b>	
Version du manuel .....	34
Symboles sur la machine .....	34
Explication des niveaux d'avertissement .....	35
<b>SOMMAIRE</b>	
Sommaire .....	36
<b>PRÉSENTATION</b>	
Cher client, .....	37
Conception et propriétés .....	37
<b>PRÉSENTATION</b>	
Quels sont les composants de la découpeuse - K970 III? .....	39
<b>PRÉSENTATION</b>	
Quels sont les composants de la découpeuse - K970 III Rescue? .....	40
<b>ÉQUIPEMENT DE SÉCURITÉ DE LA MACHINE</b>	
Généralités .....	41
<b>DISQUES DÉCOUPEURS</b>	
Généralités .....	43
Disques abrasifs .....	44
Lames diamant .....	44
Lames dentées, lames à plaquettes et situations d'urgence .....	45
Transport et rangement .....	45
<b>MONTAGE ET RÉGLAGES</b>	
Généralités .....	46
Vérification de l'arbre à broche et des rondelles à collerette .....	46
Vérification de la bague .....	46
Vérification du sens de rotation de la lame .....	46
Montage du disque découpeur .....	46
Protection du disque découpeur .....	46
Unité de coupe réversible .....	47
<b>MANIPULATION DU CARBURANT</b>	
Généralités .....	49
Carburant .....	49
Remplissage de carburant .....	50
Transport et rangement .....	50
<b>COMMANDE</b>	
Équipement de protection .....	51
Instructions générales de sécurité .....	51
Transport et rangement .....	56
<b>DÉMARRAGE ET ARRÊT</b>	
Avant le démarrage .....	57
Démarrage .....	57
Arrêt .....	59

## ENTRETIEN

Généralités .....	60
Schéma d'entretien .....	60
Nettoyage .....	60
Contrôle fonctionnel .....	61
<b>RECHERCHE DE PANNES</b>	
Plan de recherche de pannes .....	65
<b>CARACTÉRISTIQUES TECHNIQUES</b>	
Caractéristiques techniques .....	66
Disque découpeur diamant et abrasif recommandé, spécifications .....	67
Déclaration CE de conformité .....	67

# PRÉSENTATION

## **Cher client,**

Nous vous remercions d'avoir choisi un produit Husqvarna !

Nous espérons que cette machine vous donnera toute satisfaction et qu'elle vous accompagnera pendant de longues années. L'achat de l'un de nos produits garantit une assistance professionnelle pour l'entretien et les réparations. Si la machine n'a pas été achetée chez l'un de nos revendeurs autorisés, demandez l'adresse de l'atelier d'entretien le plus proche.

Ce mode d'emploi est précieux. Veillez à ce qu'il soit toujours à portée de main sur le lieu de travail. En suivant les instructions qu'il contient (utilisation, révision, entretien etc.), il est possible d'allonger considérablement la durée de vie de la machine et d'augmenter sa valeur sur le marché de l'occasion. En cas de vente de la machine, ne pas oublier de remettre le manuel d'utilisation au nouveau propriétaire.

## **Plus de 300 ans d'innovation**

Husqvarna AB est une entreprise suédoise qui a vu le jour en 1689 lorsque le roi Karl XI décida de construire un arsenal pour la fabrication des mousquets. À l'époque, les compétences en ingénierie à la base du développement de certains des produits leaders du marché mondial dans des domaines tels que les armes de chasse, les vélos, les motocycles, l'électroménager, les machines à coudre et les produits d'extérieur, étaient déjà solides.

Husqvarna est le premier fournisseur mondial de produits motorisés pour utilisation en extérieur dans la foresterie, l'entretien de parcs, de pelouses et de jardins, ainsi que d'équipements de coupe et d'outils diamant destinés aux industries de la construction et de la pierre.

## **Responsabilité du propriétaire**

Il est de la responsabilité du propriétaire/de l'employeur de s'assurer que l'utilisateur possède les connaissances nécessaires pour manipuler la machine en toute sécurité. Les responsables et les utilisateurs doivent avoir lu et compris le Manuel d'utilisation. Ils doivent avoir conscience :

- Des instructions de sécurité de la machine.
- Des diverses applications de la machine et de ses limites.
- De la façon dont la machine doit être utilisée et entretenue.

La législation nationale peut réglementer l'utilisation de cette machine. Recherchez la législation applicable dans le lieu où vous travaillez avant d'utiliser la machine.

## **Droit de réserve du fabricant**

Husqvarna peut éditer des informations complémentaires concernant l'utilisation de ce produit en toute sécurité après la publication du présent manuel. Il incombe au propriétaire de se tenir informé des méthodes d'utilisation les plus sûres.

Husqvarna AB travaille continuellement au développement de ses produits et se réserve le droit d'en

modifier, entre autres, la conception et l'aspect sans préavis.

Pour obtenir des informations et une assistance client, contactez-nous via notre site Web : [www.husqvarna.com](http://www.husqvarna.com)

## **Conception et propriétés**

Cette découpeuse portative à grande vitesse a été conçue pour découper des matériaux durs comme la maçonnerie ou l'acier, et elle ne doit pas être utilisée pour toute application non décrite dans le présent manuel. Pour utiliser ce produit en toute sécurité, l'utilisateur doit lire le manuel avec attention. Contactez votre revendeur Husqvarna pour obtenir de plus amples informations.

Certaines des caractéristiques uniques de votre produit sont décrites ci-dessous.

### **Active Air Filtration™**

Épuration centrifuge de l'air pour une durée de vie supérieure et un entretien moins fréquent.

### **SmartCarb™**

Un filtre compensateur automatique intégré maintient une puissance élevée et réduit la consommation en carburant.

### **Dura Starter™**

Unité du lanceur étanche à la poussière, où le ressort de rappel et le palier de poulie sont collés, ce qui rend l'entretien du lanceur quasi-inutile et accroît encore davantage la fiabilité.

### **X-Torq®**

Le moteur X-Torq® apporte un couple encore plus accessible pour une gamme de vitesses encore plus large, et donc une capacité de découpe maximale. X-Torq® réduit la consommation en carburant de jusqu'à 20 % et les émissions de jusqu'à 60 %.

### **EasyStart**

Le moteur et le lanceur sont conçus de façon à assurer un démarrage rapide et facile de la machine. Réduit la résistance à la traction dans la corde du lanceur de jusqu'à 40 %. (Réduit la compression au démarrage.)

### **Pompe à carburant**

Lorsque l'on appuie sur la pompe d'amorçage, le carburant est pompé par le carburateur. Moins de tractions sont nécessaires pour le démarrage, ce qui signifie que la machine est plus simple à démarrer.

### **Refroidissement à l'eau et gestion de la poussière**

Moins de boues et faible consommation

Excellent contrôle de la poussière grâce à un dispositif d'arrosage. Robinet d'eau progressif permettant un dosage au plus juste du volume d'eau nécessaire pour lier la poussière et réduire les boues efficacement.

---

# PRÉSENTATION

---

## **Système anti-vibrations efficace**

Bras et aiguilles de rechange pour les amortisseurs de vibrations efficaces.

## **Unité de coupe réversible**

La machine est équipée d'une unité de coupe réversible permettant de couper près d'un mur ou au niveau du sol ; vous n'êtes limité que par l'épaisseur du protège-lame.

## **Tension intelligente**

Système de tension de la courroie semi-automatique avec un mécanisme monté sur ressort permettant d'obtenir facilement la tension de courroie correcte. Il est également très facile de remplacer la courroie d'entraînement et d'inverser l'unité de coupe.

## **Poignée de lanceur spécialement conçue (K970 III Rescue)**

Poignée de lanceur spécialement conçue, avec de la place pour des gants épais.

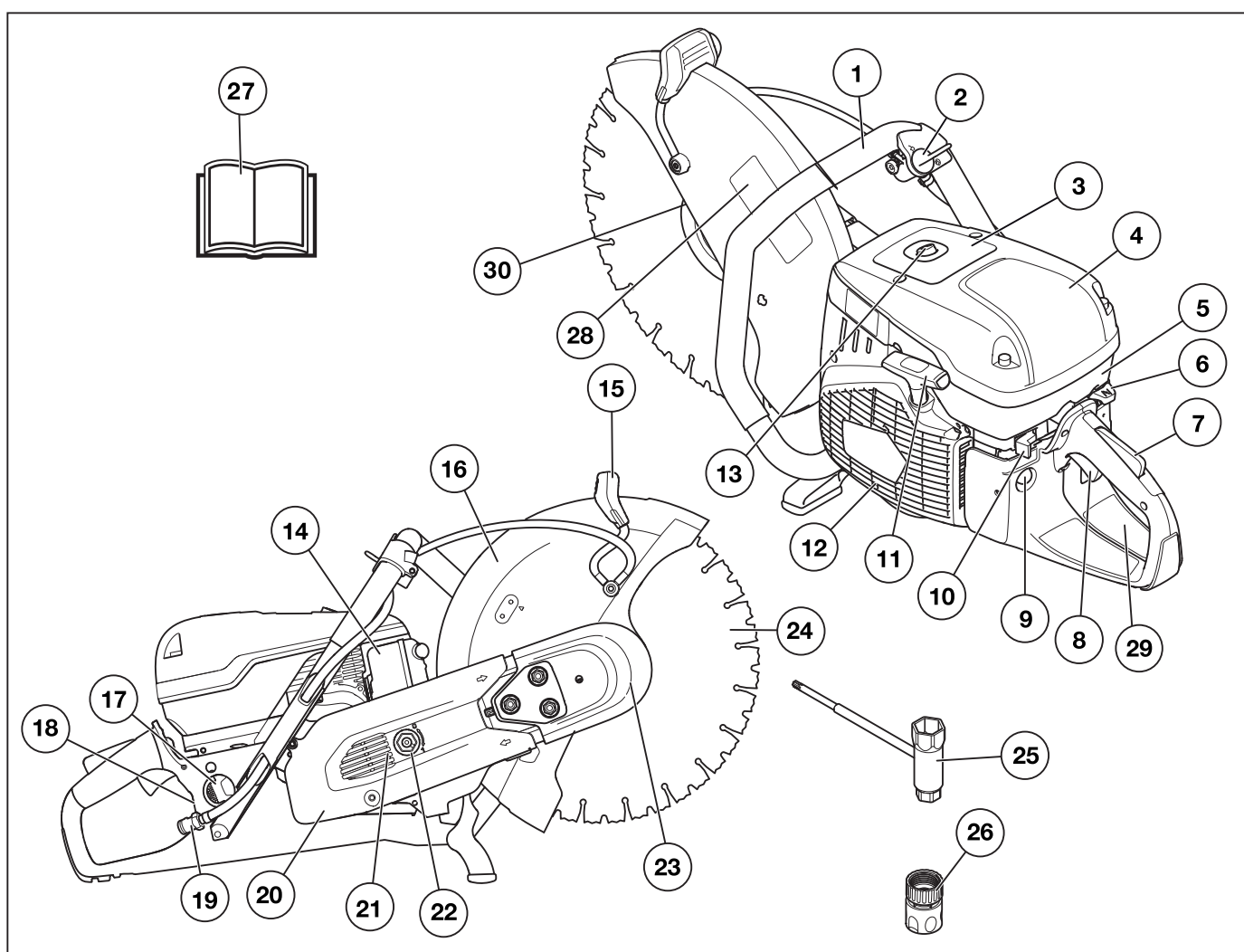
## **Courroie de transport pour usage intensif (K970 III Rescue)**

Dotée de crochets robustes aux deux extrémités, elle est facile à retirer, à fixer et à régler, même si vous portez des gants. La courroie permet de transporter facilement la machine.

## **Protège-lame réfléchissant (K970 III Rescue)**

Un protège-lame réfléchissant, visible dans la fumée et les jets d'eau, améliore la maîtrise de l'outil.

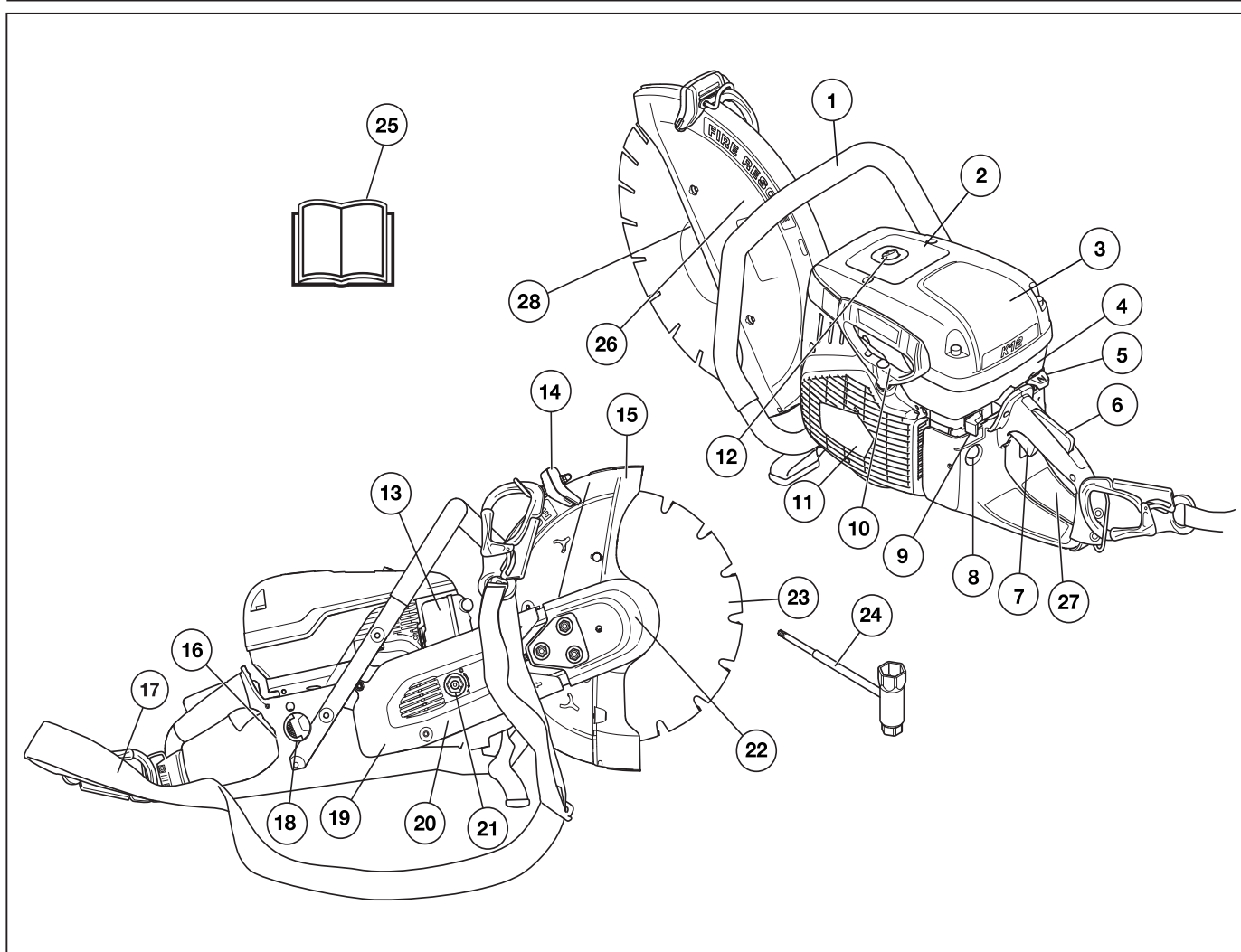
# PRÉSENTATION



Quels sont les composants de la découpeuse - K970 III?

- |    |  |    |   |
|----|--|----|---|
| 1  | Poignée avant                            | 16 | Protection du disque découpeur  |
| 2  | Robinet d'eau                            | 17 | Bouchon du réservoir de carburant   |
| 3  | Autocollant d'avertissement              | 18 | Plaque signalétique   |
| 4  | Carter de filtre à air                   | 19 | Raccordement d'eau avec filtre  |
| 5  | Capot de cylindre                        | 20 | Protection de la courroie   |
| 6  | Starter avec blocage du ralenti accéléré | 21 | Bras de coupe   |
| 7  | Blocage de l'accélération                | 22 | Tendeur de courroie   |
| 8  | Commande de l'accélération               | 23 | Unité de coupe  |
| 9  | Pompe à carburant                        | 24 | Disque de découpage (non fournie)   |
| 10 | Bouton d'arrêt                           | 25 | Clé universelle   |
| 11 | Poignée de lanceur                       | 26 | Raccord de l'eau, GARDENA®  |
| 12 | Lanceur                                  | 27 | Manuel d'utilisation  |
| 13 | Décompresseur                            | 28 | Autocollant de l'équipement de coupe  |
| 14 | Silencieux                               | 29 | Autocollant des instructions de démarrage                                       |
| 15 | Poignée de réglage pour protection       | 30 | Bride, tige, bague (voir les instructions à la section « Montage et réglages ») |

# PRÉSENTATION



## Quels sont les composants de la découpeuse - K970 III Rescue?

- |    |  |    |   |
|----|--|----|---|
| 1  | Poignée avant                            | 15 | Protection du disque découpeur  |
| 2  | Autocollant d'avertissement              | 16 | Plaque signalétique   |
| 3  | Carter de filtre à air                   | 17 | Harnais   |
| 4  | Capot de cylindre                        | 18 | Bouchon du réservoir de carburant   |
| 5  | Starter avec blocage du ralenti accéléré | 19 | Protection de la courroie   |
| 6  | Blocage de l'accélération                | 20 | Bras de coupe   |
| 7  | Commande de l'accélération               | 21 | Tendeur de courroie   |
| 8  | Pompe à carburant                        | 22 | Unité de coupe  |
| 9  | Bouton d'arrêt                           | 23 | Disque de découpage (non fournie)   |
| 10 | Poignée de lanceur                       | 24 | Clé universelle   |
| 11 | Lanceur                                  | 25 | Manuel d'utilisation  |
| 12 | Décompresseur                            | 26 | Autocollant de l'équipement de coupe  |
| 13 | Silencieux                               | 27 | Autocollant des instructions de démarrage                                       |
| 14 | Poignée de réglage pour protection       | 28 | Bride, tige, bague (voir les instructions à la section « Montage et réglages ») |



# ÉQUIPEMENT DE SÉCURITÉ DE LA MACHINE

## Généralités



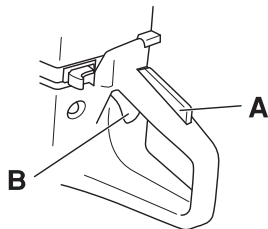
**AVERTISSEMENT!** Ne jamais utiliser une machine dont les équipements de sécurité sont défectueux. Si les contrôles ne donnent pas de résultat positif, confier la machine à un atelier spécialisé.

Le moteur doit être éteint et le bouton d'arrêt en position STOP.

Ce chapitre présente les équipements de sécurité de la machine, leur fonction, comment les utiliser et les maintenir en bon état.

## Blocage de l'accélération

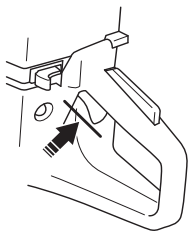
Le blocage de l'accélération est conçu pour empêcher toute activation involontaire de la commande de l'accélération. Lorsque le blocage (A) est enfoncé, la commande de l'accélération est embrayée (B).



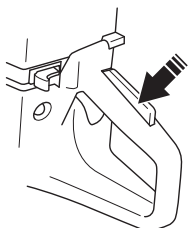
Le blocage reste enfoncé tant que la commande d'accélération est sollicitée. Lorsque la poignée est relâchée, la gâchette d'accélération et le blocage de l'accélération retrouvent leurs positions initiales. Ceci s'effectue à l'aide de deux systèmes de retour par ressorts, indépendants l'un de l'autre. En position initiale, la gâchette d'accélération est automatiquement bloquée au régime de ralenti.

## Vérification du blocage de la commande d'accélération

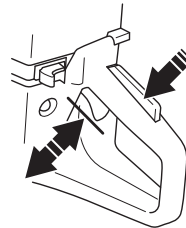
- Vérifier d'abord que la commande de l'accélération est bloquée en position de ralenti quand le blocage de l'accélération est en position initiale.



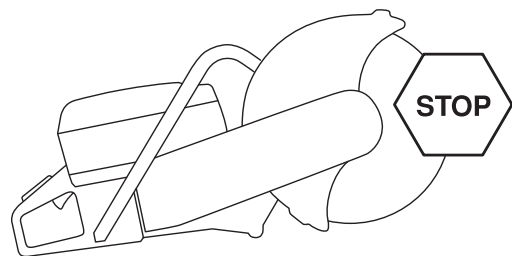
- Appuyer sur le blocage de l'accélération et vérifier qu'il revient de lui-même en position initiale quand il est relâché.



- Vérifier que le blocage de l'accélération, la commande d'accélération et leurs ressorts de rappel fonctionnent correctement.

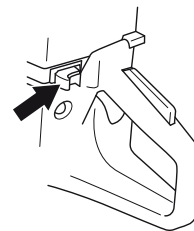


- Démarrer la découpeuse et donner les pleins gaz. Relâcher la commande de l'accélération et contrôler que le disque découpeur s'arrête et qu'il demeure immobile. Si le disque découpeur tourne quand la commande est en position de ralenti, il convient de contrôler le réglage du ralenti du carburateur. Voir les instructions au chapitre « Entretien ».



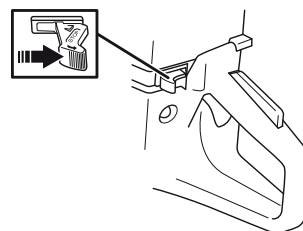
## Bouton d'arrêt

Le bouton d'arrêt est utilisé pour arrêter le moteur.



## Vérification du bouton d'arrêt

- Mettre le moteur en marche et s'assurer qu'il s'arrête lorsque le bouton d'arrêt est amené en position d'arrêt.



## Protection du disque découpeur

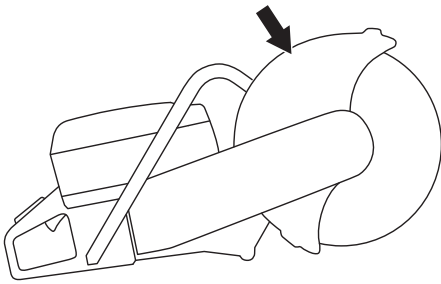


**AVERTISSEMENT!** Toujours contrôler que la protection est montée correctement avant de démarrer la machine.

Ce protecteur est placé au-dessus du disque découpeur et a pour fonction d'empêcher que des éclats de disque

# ÉQUIPEMENT DE SÉCURITÉ DE LA MACHINE

ou de matériau découpé ne soient projetés en direction de l'utilisateur.



## Contrôle de la lame et du protège-lame

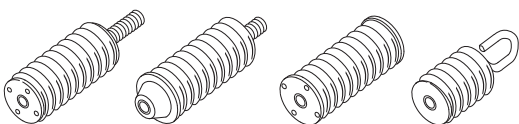
- Contrôler que le protège-lame au-dessus du disque découpeur ne présente pas de fissures ou autres dommages. Le remplacer s'il est endommagé.
- Contrôler également si le disque découpeur est correctement monté et qu'il ne présente aucun dommage. Un disque découpeur endommagé peut causer des blessures.

## Système anti-vibrations



**AVERTISSEMENT!** Une exposition excessive aux vibrations peut entraîner des troubles circulatoires ou nerveux chez les personnes sujettes à des troubles cardio-vasculaires. Consultez un médecin en cas de symptômes liés à une exposition excessive aux vibrations. De tels symptômes peuvent être: engourdissement, perte de sensibilité, chatouillements, picotements, douleur, faiblesse musculaire, décoloration ou modification épidermique. Ces symptômes affectent généralement les doigts, les mains ou les poignets. Ces symptômes peuvent être accentués par le froid.

- La machine est équipée d'un système anti-vibrations conçu pour assurer une utilisation aussi confortable que possible.
- Le système anti-vibrations réduit la transmission des vibrations de l'unité moteur/l'équipement de coupe à l'unité que constituent les poignées. Le corps du moteur, y compris l'équipement de coupe, est suspendu à l'unité poignées par l'intermédiaire de blocs anti-vibrants.



## Vérification du système anti-vibrations



**AVERTISSEMENT!** Le moteur doit être éteint et le bouton d'arrêt en position STOP.

- Contrôler régulièrement les éléments anti-vibrations afin de détecter toute éventuelle fissure ou déformation. Les remplacer s'ils sont endommagés.
- S'assurer de la bonne fixation des éléments anti-vibrations entre l'unité moteur et l'ensemble poignée.

## Silencieux

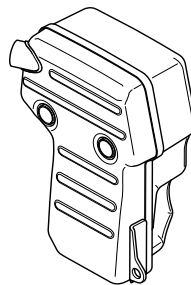


**AVERTISSEMENT!** N'utilisez jamais une machine sans silencieux ou avec un silencieux défectueux. Si le silencieux est défectueux, le niveau sonore et le risque d'incendie augmentent considérablement. Veillez à disposer des outils nécessaires à l'extinction d'un feu.

Le silencieux devient très chaud pendant et après l'utilisation, ainsi qu'au cours du fonctionnement au ralenti. Soyez attentif au risque d'incendie, surtout à proximité de produits inflammables et/ou en présence de gaz.

Veillez à disposer des outils nécessaires à l'extinction d'un feu.

Le silencieux est conçu pour réduire au maximum le niveau sonore et détourner les gaz d'échappement loin de l'utilisateur.



## Contrôle du silencieux

Contrôler régulièrement que le silencieux est entier et qu'il est attaché correctement.

# DISQUES DÉCOUPEURS

## Généralités



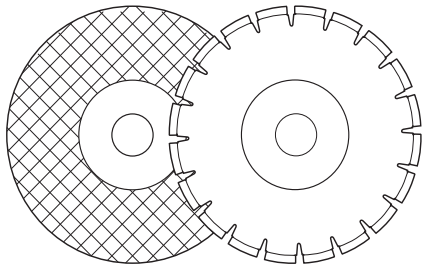
**AVERTISSEMENT!** Un disque de coupe peut se briser et blesser gravement l'utilisateur.

Le fabricant du disque découpeur émet des avertissements et des recommandations pour l'utilisation et l'entretien adéquats du disque. Ces avertissements sont fournis avec le disque découpeur. Lisez et respectez toutes les instructions fournies par le fabricant du disque découpeur.

Le disque découpeur doit être vérifié avant d'être assemblé sur la scie, puis faire l'objet d'un contrôle fréquent en cours d'utilisation. Vérifiez l'absence de fissures, de segments perdus (lames diamant) ou de pièces cassées. **N'utilisez pas de disque découpeur endommagé.**

Vérifiez l'intégrité de chaque nouveau disque découpeur en le faisant fonctionner à plein régime pendant 1 minute environ.

- Il existe deux modèles de disques découpeurs: les disques abrasifs et les lames diamant.



- Des disques découpeurs de haute qualité sont souvent plus économiques. Les disques découpeurs de qualité inférieure ont souvent des capacités de coupe moindre et une durée de vie inférieure; ceci résulte en un coût plus élevé par rapport à la quantité de matériau découpé.
- Veillez à utiliser le coussinet correspondant au disque découpeur monté sur la machine. Consultez les instructions au chapitre Montage du disque découpeur.

## Disques découpeurs appropriés

Disques de découpe	K970 III	K970 III Rescue
Disques abrasifs	Oui*	Oui*
Lames diamant	Oui	Oui
Lames dentées	Ne pas utiliser	Oui**

Pour de plus amples informations, consultez la rubrique « Caractéristiques techniques ».

\*Sans eau

\*\*Voir les instructions à la section « Lames dentées, lames à plaquettes et situations d'urgence ».

## Disques découpeurs pour matériaux divers



**AVERTISSEMENT!** Ne jamais utiliser un disque de coupe avec un matériau différent de celui pour lequel il est conçu.

N'utilisez jamais une lame diamant pour couper de la matière plastique. La chaleur produite lors de la découpe risque de faire fondre le plastique, qui risque alors de coller au disque découpeur et de provoquer un rebond.

La découpe de métal génère des étincelles pouvant provoquer un incendie. **N'utilisez pas la machine près de gaz ou de substances inflammables.**

Suivez les instructions fournies avec le disque découpeur concernant l'adaptation du disque à diverses applications, ou demandez conseil à votre revendeur en cas de doute.

	Béton	Métal	Plastique	Fonte
Disques abrasifs	X	X	X	X
Lames diamant	X	X*		X*

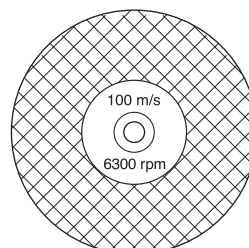
\* Disques spécialisés uniquement.

## Machines manuelles à vitesse élevée



**AVERTISSEMENT!** Ne jamais utiliser un disque de découpe d'une vitesse de rotation inférieure à celle de la découpeuse. Utilisez uniquement des disques découpeurs conçus pour des découpeuses manuelles à grande vitesse.

- De nombreux disques découpeurs potentiellement adaptables sur cette découpeuse sont conçus pour les scies fixes et affichent une vitesse nominale moins élevée que celle nécessaire à cette scie portable. Des disques découpeurs affichant une vitesse nominale inférieure ne doivent jamais être utilisés sur cette scie.
- Les disques découpeurs Husqvarna sont conçus pour des découpeuses portatives à grande vitesse.
- Le disque de découpe doit être marqué d'un régime similaire ou supérieur à celui indiqué sur la plaque signalétique de la machine. Ne jamais utiliser un disque de découpe dont le marquage indique un régime inférieur à celui indiqué sur la plaque signalétique de la machine.



# DISQUES DÉCOUPEURS

## Vibration de disque

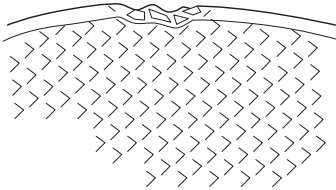
- Le disque peut ne plus être rond et vibrer si une pression d'avance trop élevée est appliquée.
- Une pression d'avance plus faible peut réduire les vibrations. Sinon, remplacer le disque.

## Disques abrasifs

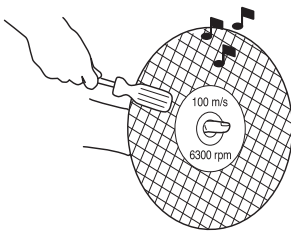


**AVERTISSEMENT! N'utilisez pas d'eau avec des disques abrasifs. Quand des disques abrasifs sont exposés à l'eau ou à l'humidité, leur puissance s'en voit altérée, ce qui accroît le risque de rupture du disque.**

- Le matériau coupant d'un disque abrasif consiste en grains abrasifs agglomérés par un liant organique. Les disques dits "renforcés" ont un tissu ou filament résistant à la rupture complète à la vitesse maximale de travail au cas où le disque viendrait à être fendu ou endommagé.
- Les performances d'un disque dépendent du type et de la dimension des particules abrasives, ainsi que de la nature et de la dureté du liant.
- Assurez-vous que le disque découpeur n'est pas fissuré ou endommagé.



- Tester le disque abrasif en l'accrochant sur un doigt et en le frappant doucement avec le manche d'un tournevis ou un objet similaire. Si le disque ne produit pas un son clair et plein, c'est qu'il est abîmé.



## Disques abrasifs pour matériaux divers

Type de disque	Matériau
Disque béton	Béton, asphalte, roche, maçonnerie, fonte, aluminium, cuivre, laiton, câbles, caoutchouc, plastique, etc.
Disque métal	Acier, alliages d'acier et autres métaux durs.

## Lames diamant

### Généralités

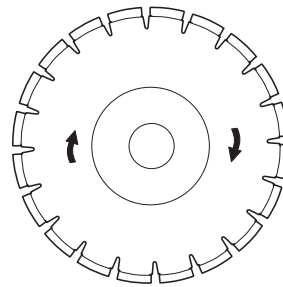


**AVERTISSEMENT! N'utilisez jamais une lame diamant pour couper de la matière plastique. La chaleur produite lors de la découpe risque de faire fondre le plastique, qui risque alors de coller au disque découpeur et de provoquer un rebond.**

Lors de leur utilisation, les lames diamant deviennent très chaudes. Une lame surchauffée est le résultat d'une mauvaise utilisation et peut entraîner une déformation du disque qui causerait des dommages et des blessures.

**La découpe de métal génère des étincelles pouvant provoquer un incendie. N'utilisez pas la machine près de gaz ou de substances inflammables.**

- Les disques diamant se composent d'une structure en acier et de segments contenant des diamants industriels.
- Les disques diamant sont d'un coup inférieur par découpe, nécessitent moins de remplacements et ont une profondeur de découpe constante.
- En cas d'utilisation d'une lame diamant, veiller à ce qu'elle tourne dans la direction des flèches sur la lame.



---

# DISQUES DÉCOUPEURS

---

## Lames diamant pour matériaux divers

- Les lames diamants sont recommandée pour tous les types de maçonneries, le béton armé et d'autres matériaux composites.
- Les disques diamant sont disponibles en plusieurs degrés de résistance.
- Il convient d'utiliser des lames spéciales lors de la découpe de métal. Demander conseil au concessionnaire pour choisir le bon produit.

## Affûtage des lames diamant

- Toujours utiliser une lame diamant acérée.
- Les lames diamant peuvent sémousser en cas de pression d'avance incorrecte ou de découpe de certains matériaux comme du béton fortement armé. Le travail avec un disque diamant émoussé comporte un risque de surchauffe pouvant provoquer la chute des segments en diamant.
- Affûter le disque en coupant un matériau tendre tel que du grès ou de la brique.

## Lames diamant et refroidissement

- Lors de la découpe, les frictions dans la coupe entraînent la chauffe de la lame diamant. Si la lame finit par devenir trop chaude, cela peut entraîner une perte de la tension de la lame ou le fissurage du noyau.

## Disques diamant pour découpe à sec

- Même si le refroidissement ne requiert pas d'eau, les disques découpeurs secs doivent être refroidis par un flux d'air circulant autour des lames. C'est pourquoi les disques découpeurs secs sont recommandés uniquement pour une découpe intermittente. Après quelques secondes de découpe, la lame doit pouvoir tourner librement sans charge pour que le flux d'air circulant autour de la lame dissipe la chaleur.

## Disques diamant pour découpe à l'eau

- Les lames diamant de découpe à l'eau doivent être utilisées avec de l'eau pour refroidir le noyau et les segments de lame lors du sciage.
- Les lames de découpe à l'eau NE doivent PAS être utilisées à sec.
- L'utilisation de lames de découpe à l'eau sans eau peut induire une accumulation excessive de chaleur, entraînant des performances médiocres et de graves dommages sur la lame, et constituant un risque pour la sécurité.
- L'eau refroidit la lame, augmente sa durée de vie et limite la formation de poussière.

## Lames dentées, lames à plaquettes et situations d'urgence

Les lames à plaquettes spéciales sont uniquement destinées à une utilisation lors de missions de secours et par un personnel formé.

## Transport et rangement

- Ne pas remiser ni transporter la découpeuse avec le disque découpeur monté. Tous les disques seront retirés de la scie après l'usage et soigneusement rangés.
- Ranger le disque au sec et à l'abri du gel. Accorder une attention toute particulière aux disques abrasifs. Les disques abrasifs doivent être rangés sur une surface plane. Un disque abrasif conservé à l'état humide risque d'être déséquilibré et de provoquer des accidents.
- Avant toute utilisation, vérifier si les disques neufs ne comportent pas de défauts causés par la manutention ou le magasinage.

# MONTAGE ET RÉGLAGES

## Généralités



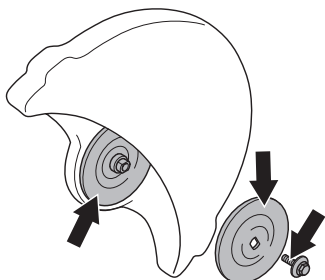
**AVERTISSEMENT!** Le moteur doit être éteint et le bouton d'arrêt en position STOP.

Les lames Husqvarna sont des lames à grande vitesse approuvées pour les découpeuses portatives.

## Vérification de l'arbre à broche et des rondelles à collerette

Lorsque la lame est remplacée par une nouvelle lame, vérifiez les rondelles à collerette et l'arbre à broche.

- Vérifiez que les filetages de l'arbre à broche sont en bon état.
- Vérifiez que les surfaces de contact de la lame et des rondelles à collerette sont en bon état, de la dimension correcte et propres, et qu'elles fonctionnent correctement sur l'arbre à broche.



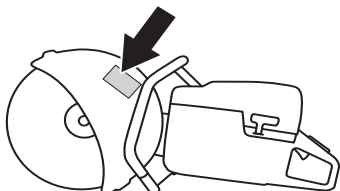
N'utilisez que des rondelles d'accouplement fournies par Husqvarna, d'un diamètre min. de 105 mm/4,1 po.

Ne pas utiliser des rondelles d'accouplement aux bords abîmés, cassées ou sales. Ne pas utiliser des rondelles d'accouplement de différentes dimensions.

## Vérification de la bague

Les bagues d'arbre permettent d'adapter la machine au trou central de la lame de coupe.

La machine est fournie avec un coussinet qui peut être retourné pour mesurer 20 mm ou 1" (25,4 mm). Un autocollant sur le protège-lame indique la spécification de lame appropriée.

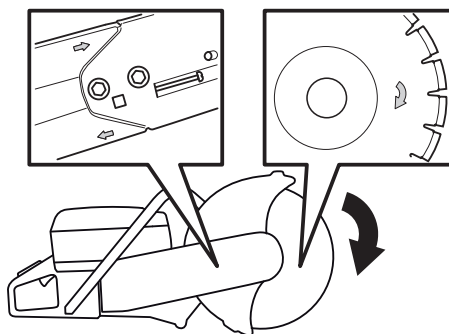


- Vérifiez que la bague sur la tige de l'arbre de la machine correspond avec trou central du disque découpeur. Le diamètre du trou central est indiqué sur les disques découpeurs.

Utilisez uniquement les coussinets fournis par Husqvarna. Ces coussinets ont été conçus pour votre découpeuse.

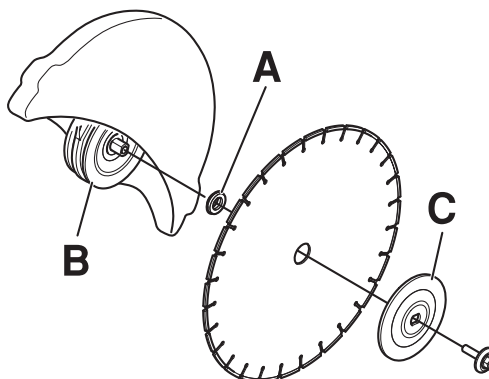
## Vérification du sens de rotation de la lame

- En cas d'utilisation d'une lame diamant, veiller à ce qu'elle tourne dans la direction des flèches sur la lame. Le sens de rotation de la machine est indiqué par des flèches sur le bras de coupe.

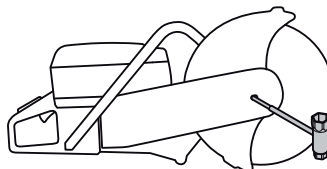


## Montage du disque découpeur

- Le disque est placé sur le coussinet (A) entre la rondelle d'accouplement (B) et la rondelle d'accouplement (C). La rondelle d'accouplement est tournée de manière à s'adapter à l'arbre.



- Verrouillez l'arbre. Insérez un outil dans le trou de l'unité de coupe et tournez la lame jusqu'à ce qu'elle se bloque.



- La vis qui maintient le disque de coupe doit être serrée selon un couple de 25 Nm.

## Protection du disque découpeur

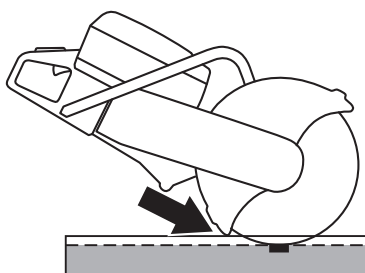
La protection de l'équipement de coupe doit être positionnée de sorte que sa partie arrière soit en contact avec la pièce à travailler. Les projections et les étincelles du matériau découpé sont alors recueillies par la protection et dirigées loin de l'utilisateur.

Le protège-lame est bloqué par friction.

- Appuyez les extrémités de la protection contre la pièce à travailler ou ajustez la protection à l'aide de la

# MONTAGE ET RÉGLAGES

poignée de réglage. La protection doit toujours être montée sur la machine.



## Unité de coupe réversible

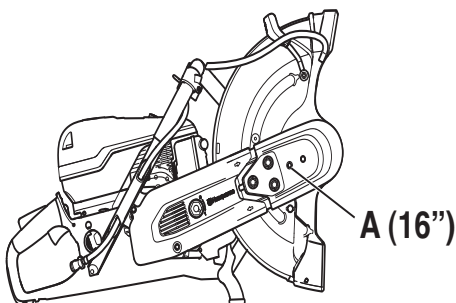
La machine est équipée d'une unité de coupe réversible permettant de couper près d'un mur ou au niveau du sol ; vous n'êtes limité que par l'épaisseur du protège-lame.

En cas de rebond, il est plus difficile de contrôler la machine lors d'une découpe avec la tête de coupe inversée. Le disque découpeur est plus loin du centre de la machine et n'est donc plus aligné avec la poignée. Il devient plus difficile de retenir la machine si la lame se bloque ou se coince dans sa zone dangereuse de rebond. Vous trouverez davantage d'informations à la rubrique « Rebond » du chapitre « Fonctionnement ».

Ceci peut également nuire à certaines fonctionnalités ergonomiques efficaces de la machine, comme l'équilibre. Toute découpe avec une tête de coupe inversée doit avoir lieu uniquement lorsque la découpe standard n'est pas possible.

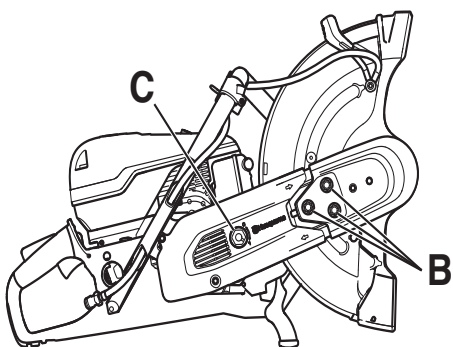
### Réservé aux modèles 16'

- Desserrez la vis supplémentaire (A) qui maintient le carter supérieur de la courroie.

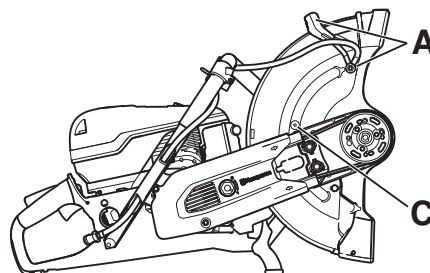


### Pour les modèles 14' et 16'

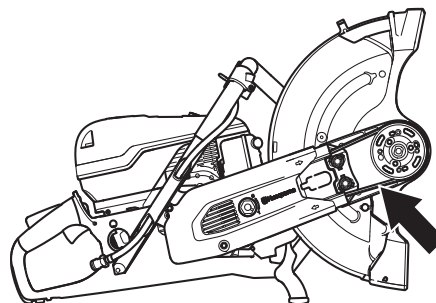
- Desserrez les trois écrous (B) qui maintiennent le carter supérieur de la courroie. Tournez le tendeur de courroie (C) sur la position « 0 » pour relâcher la tension.



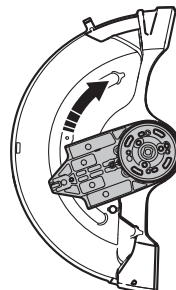
- Retirez le carter supérieur de la courroie.
- Débranchez le flexible d'eau et la poignée du protège-lame (A). Retirez la butée (C).



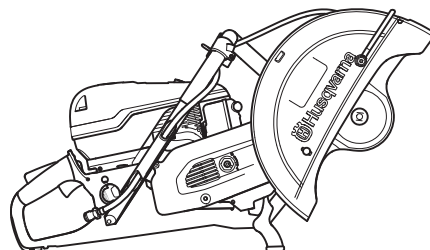
- L'unité de coupe est à présent détachée et peut être retirée du moteur. Retirez la courroie de la poulie.



- Faites pivoter le logement de palier dans la direction opposée et remontez la butée.



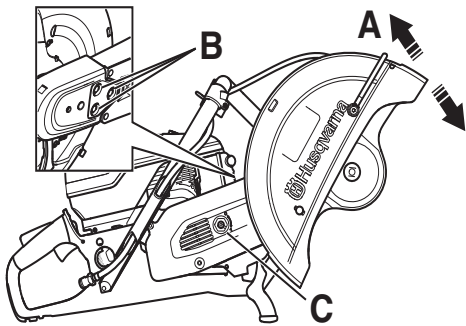
- Fixez l'unité de coupe de l'autre côté du bras de coupe.



- Tournez le tendeur de courroie (C) sur la position « 1 » pour tendre la courroie d'entraînement.
- Placez le carter de la courroie sur l'unité de coupe inversée.
- Pour tendre correctement la courroie d'entraînement, commencez par serrer les écrous (B), puis desserrez-les d'1 ou de 2 tours. Agitez le protège-lame (A) de

## MONTAGE ET RÉGLAGES

haut en bas entre 3 et 5 fois, puis serrez les écrous (B) à l'aide d'une clé mixte.



### Réservé aux modèles 16'

- Serrez la vis supplémentaire.
- Assemblez le raccord du tuyau d'eau et le tuyau du côté supérieur opposé du protège-lame.



# MANIPULATION DU CARBURANT

## Généralités



**AVERTISSEMENT!** Faire tourner un moteur dans un local fermé ou mal aéré peut causer la mort par asphyxie ou empoisonnement au monoxyde de carbone. Utilisez des ventilateurs pour assurer une bonne circulation de l'air lorsque vous travaillez dans des tranchés ou des fossés d'une profondeur supérieure à un mètre.

Le carburant et les vapeurs de carburant sont inflammables et peuvent causer des blessures graves en cas d'inhalation ou de contact avec la peau. Il convient donc d'observer la plus grande prudence lors de la manipulation du carburant et de veiller à disposer d'une bonne aération.

Les gaz d'échappement du moteur sont très chauds et peuvent contenir des étincelles pouvant provoquer un incendie. Par conséquent, ne jamais démarrer la machine dans un local clos ou à proximité de matériaux inflammables!

Ne fumez jamais ni ne placez d'objet chaud à proximité du carburant.

## Carburant

**ATTENTION !** La machine est équipée d'un moteur deux temps et doit toujours être alimentée avec un mélange d'essence et d'huile deux temps. Afin d'obtenir un mélange approprié, il est important de mesurer avec précision la quantité d'huile à mélanger. Pour le mélange de petites quantités de carburant, la moindre erreur peut sérieusement affecter le rapport du mélange.

### Essence

- Utiliser une essence de qualité, avec ou sans plomb.
- Le taux d'octane minimum recommandé est de 90 (RON). Si l'on fait tourner le moteur avec une essence d'un taux d'octane inférieur à 90, un cognement risque de se produire, résultant en une augmentation de la température du moteur pouvant causer de graves avaries du moteur.
- Si on travaille en permanence à des régimes élevés, il est conseillé d'utiliser un carburant d'un indice d'octane supérieur.

### Carburant écologique

HUSQVARNA recommande l'utilisation d'une essence écologique (dite essence alkylat), soit une essence deux temps prémélangée Aspen, soit une essence écologique pour moteurs quatre temps mélangée avec de l'huile deux temps selon les instructions ci-dessous. Noter qu'il peut

être nécessaire de procéder à un réglage du carburateur lors du changement de type d'essence (voir les instructions à la section Carburateur).

Possibilité d'utiliser du carburant mélangé à base d'éthanol, E10 (la teneur en éthanol ne doit pas dépasser 10 %). L'utilisation de carburants mélangés contenant plus d'éthanol que l'E10 perturbe le fonctionnement de la machine et risque d'endommager le moteur.

## Huile deux temps

- Pour obtenir un fonctionnement et des résultats optimaux, utiliser une huile moteur deux temps HUSQVARNA fabriquée spécialement pour nos moteurs deux temps à refroidissement à air.
- Ne jamais utiliser d'huile deux temps pour moteurs hors-bord refroidis par eau, appelée huile outboard (désignation TCW).
- Ne jamais utiliser d'huile pour moteurs à quatre temps.

## Mélange

- Toujours effectuer le mélange dans un récipient propre et destiné à contenir de l'essence.
- Toujours commencer par verser la moitié de l'essence à mélanger. Verser ensuite la totalité de l'huile. Mélanger en secouant le récipient. Enfin, verser le reste de l'essence.
- Mélanger (secouer) soigneusement le mélange avant de faire le plein du réservoir de la machine.
- Ne jamais préparer plus d'un mois de consommation de carburant à l'avance.

### Rapport de mélange

- 1:50 (2%) avec huile deux temps HUSQVARNA ou équivalent.

Essence, litres	Huile deux temps, litres
	2% (1:50)
5	0,10
10	0,20
15	0,30
20	0,40

- 1:33 (3 %) avec des huiles de catégorie JASO FB ou ISO EGB formulées pour moteurs deux temps à refroidissement à air ou mélange selon les consignes du fabricant d'huile.

# MANIPULATION DU CARBURANT

## Remplissage de carburant



**AVERTISSEMENT!** Les mesures de sécurité ci-dessous réduisent le risque d'incendie:

**Ne fumez jamais ni ne placez d'objet chaud à proximité du carburant.**

**Arrêter le moteur et le laisser refroidir pendant quelques minutes avant de faire le plein. Le moteur doit être éteint et le bouton d'arrêt en position STOP.**

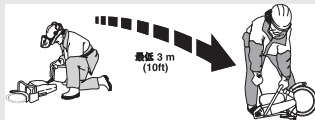
**Ouvrir le bouchon du réservoir lentement pour laisser baisser la surpression pouvant régner dans le réservoir.**

**Nettoyez le pourtour du bouchon de réservoir.**

**Serrer soigneusement le bouchon du réservoir après le remplissage.**

**Si le bouchon n'est pas serré correctement, il risque de s'ouvrir à cause des vibrations et du carburant peut alors s'échapper du réservoir de carburant, entraînant un risque d'incendie.**

**Avant de mettre la machine en marche, la déplacer à au moins 3 mètres de l'endroit où a été fait le plein.**



Ne jamais démarrer la machine:

- Si du carburant ou de l'huile moteur ont été répandus sur la machine. Essuyer soigneusement toutes les éclaboussures et laisser les restes d'essence s'évaporer.
- Si vous avez renversé du carburant sur vous ou sur vos vêtements, changez de vêtements. Lavez les parties du corps qui ont été en contact avec le carburant. Utilisez de l'eau et du savon.
- S'il y a fuite de carburant. Vérifier régulièrement que le bouchon du réservoir et la conduite de carburant ne fuient pas.
- À moins que le bouchon du réservoir ne soit correctement serré après avoir fait le plein.

## Transport et rangement

- Transporter et ranger la machine et le carburant de façon à éviter que toute fuite ou émanation éventuelle entre en contact avec une flamme vive ou une étincelle: machine électrique, moteur électrique, contact/interrupteur électrique ou chaudière.
- Lors du stockage et du transport de carburant, toujours utiliser un récipient homologué et conçu à cet effet.

## Remisage prolongé

- Lors des remisages de la machine, vider le réservoir de carburant. S'informer auprès d'une station-service comment se débarrasser du carburant résiduel.

# COMMANDE

## Équipement de protection

### Généralités

- Ne jamais utiliser une machine s'il n'est pas possible d'appeler au secours en cas d'accident.

### Équipement de protection personnelle

Un équipement de protection personnelle homologué doit impérativement être utilisé lors de tout travail avec la machine. L'équipement de protection personnelle n'élimine pas les risques mais réduit la gravité des blessures en cas d'accident. Demander conseil au concessionnaire afin de choisir un équipement adéquat.



**AVERTISSEMENT! L'utilisation de produits tels que des ciseaux, des disques, des forets, des disques fins ou des formes peut générer de la poussière et des vapeurs pouvant contenir des substances chimiques toxiques. Vérifiez la composition du matériel avec lequel vous travaillez et portez un masque respiratoire adapté.**

**Une exposition prolongée au bruit risque de causer des lésions auditives permanentes. Utilisez toujours des protecteurs d'oreilles agréés. Soyez attentif aux appels ou cris d'avertissement lorsque vous portez des protecteurs d'oreilles. Enlevez toujours vos protecteurs d'oreilles dès que le moteur s'arrête.**

Toujours utiliser:

- Casque de protection homologué
- Protecteur d'oreilles
- Des protège-yeux homologués. L'usage d'une visière doit toujours s'accompagner du port de lunettes de protection homologuées. Par lunettes de protection homologuées, on entend celles qui sont en conformité avec les normes ANSI Z87.1 (États-Unis) ou EN 166 (pays de l'UE). La visière doit être conforme à la norme EN 1731.
- Masque respiratoire
- Gants solides permettant une prise sûre.
- Vêtements confortables, robustes et serrés qui permettent une liberté totale de mouvement. La découpe crée des étincelles qui peuvent enflammer les vêtements. Husqvarna vous recommande de porter du coton ignifugé ou du denim épais. Ne portez pas de vêtements composés de matières comme le nylon, le polyester ou la rayonne. Si elles s'enflamment, ces matières peuvent fondre et adhérer à la peau. Ne portez pas de shorts
- Bottes avec coquille en acier et semelle antidérapante.

## Autre équipement de protection



**REMARQUE ! Lorsque vous travaillez avec la machine, des étincelles peuvent se former et mettre le feu. Gardez toujours à portée de main les outils nécessaires à l'extinction d'un feu.**

- Extincteur
- Une trousse de premiers secours doit toujours être disponible.

## Instructions générales de sécurité

Le présent chapitre décrit les consignes de sécurité de base relatives à l'utilisation de la machine. Aucune de ces informations ne peut remplacer l'expérience et le savoir-faire d'un professionnel.

- Lire attentivement et bien assimiler le manuel d'utilisation avant d'utiliser la machine. Il est recommandé aux nouveaux opérateurs d'obtenir également des instructions pratiques avant d'utiliser la machine.
- N'oubliez pas que c'est vous, l'opérateur, qui êtes responsable de protéger les tiers et leurs biens de tout accident ou danger.
- La machine doit rester propre. Les signes et autocollants doivent être parfaitement lisibles.

## Utilisez toujours votre bon sens

Il est impossible de mentionner toutes les situations auxquelles vous pouvez être confronté. Soyez toujours vigilant et utilisez l'appareil avec bon sens. Si vous êtes confronté à une situation où vous pensez ne pas être en sécurité, arrêtez immédiatement et consultez un spécialiste. Veuillez contacter votre revendeur, votre atelier de réparation ou un utilisateur expérimenté. Il convient d'éviter tous les travaux pour lesquels vous ne vous sentez pas suffisamment qualifié !



**AVERTISSEMENT! La machine utilisée de manière imprudente ou inadéquate peut devenir un outil dangereux, pouvant causer des blessures graves voire mortelles à l'utilisateur et aux autres personnes présentes.**

**Ne jamais permettre à des enfants ou à des personnes ne possédant pas la formation nécessaire d'utiliser ou d'entretenir la machine.**

**Ne jamais laisser d'autres personnes utiliser la machine sans s'être assuré au préalable que ces personnes ont bien compris le contenu du mode d'emploi.**

**N'utilisez jamais la machine si vous êtes fatigué, avez bu de l'alcool ou pris des médicaments susceptibles d'affecter votre vue, votre jugement ou la maîtrise de votre corps.**

# COMMANDE



**AVERTISSEMENT!** Toute modification non autorisée et/ou tout emploi d'accessoires non homologués peuvent provoquer des accidents graves voire mortels pour l'utilisateur et les autres. Ne jamais modifier sous aucun prétexte la machine sans l'autorisation du fabricant.

Ne modifiez jamais cette machine de façon à ce qu'elle ne soit plus conforme au modèle d'origine et n'utilisez jamais une machine qui semble avoir été modifiée.

Ne jamais utiliser une machine qui n'est pas en parfait état de marche. Appliquer les instructions de maintenance et d'entretien ainsi que les contrôles de sécurité indiqués dans ce manuel d'utilisation. Certaines mesures de maintenance et d'entretien doivent être confiées à un spécialiste dûment formé et qualifié. Voir les instructions à la section Maintenance.

N'utiliser que des accessoires et des pièces d'origine.



**AVERTISSEMENT!** Cette machine génère un champ électromagnétique en fonctionnement. Ce champ peut dans certaines circonstances perturber le fonctionnement d'implants médicaux actifs ou passifs. Pour réduire le risque de blessures graves ou mortelles, les personnes portant des implants médicaux doivent consulter leur médecin et le fabricant de leur implant avant d'utiliser cette machine.

## Sécurité dans l'espace de travail



**AVERTISSEMENT!** La distance de sécurité de la découpeuse est de 15 mètres. Il incombe à l'utilisateur de s'assurer qu'aucun animal et qu'aucun spectateur ne se trouve à l'intérieur de la zone de travail. Ne pas commencer la découpe sans avoir le champ libre et les pieds bien d'aplomb.

- Observez la zone environnante et assurez-vous qu'aucun facteur ne risque d'affecter votre contrôle de la machine.
- Assurez-vous que personne/rien ne peut se trouver en contact avec l'équipement de coupe ou être touché par des pièces projetées par la lame.
- Ne pas travailler par mauvais temps: brouillard épais, pluie diluvienne, vent violent, grand froid, etc. Travailler par mauvais temps est fatiguant et peut créer des conditions de travail dangereuses telles que le verglas.

- Ne jamais commencer à travailler avec la machine sans avoir le champ libre et les pieds bien d'aplomb. Identifier les obstacles éventuels dans le cas de déplacement inattendu. S'assurer qu'aucun matériau ne risque de tomber et de provoquer des blessures ou des dommages lors de travail avec la machine. Redoubler de prudence en cas de travail dans un terrain en pente.
- S'assurer que l'éclairage de la zone de travail est suffisant pour que l'environnement de travail soit de toute sécurité.
- Assurez-vous qu'aucun tuyau ou câble électrique ne passe par la zone de travail ou dans le matériau à découper.
- En cas de découpe dans un conteneur (bidon, tube ou autre conteneur), vous devez au préalable vous assurer qu'il ne contient pas de matières inflammables ou volatiles.

## Techniques de travail de base



**AVERTISSEMENT!** Ne pas tourner la découpeuse sur le côté; le disque risquerait de rester coincé ou de se casser, ce qui pourrait causer de graves blessures.

Ne meulez jamais avec le côté de la lame ; il risquerait de s'abîmer ou de se casser, et de causer de graves blessures. N'utilisez que le tranchant.

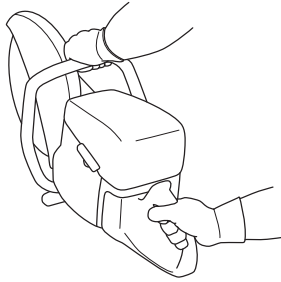
N'utilisez jamais une lame diamant pour couper de la matière plastique. La chaleur produite lors de la découpe risque de faire fondre le plastique, qui risque alors de coller au disque découpeur et de provoquer un rebond.

La découpe de métal génère des étincelles pouvant provoquer un incendie. N'utilisez pas la machine près de gaz ou de substances inflammables.

- La machine est conçue pour couper avec des disques abrasifs ou des lames diamant destinés à des machines manuelles à grande vitesse. La machine ne doit pas être utilisée avec tout autre type de lame ou pour tout autre type de découpe.
- Contrôlez également que le disque découpeur est correctement monté et qu'il ne présente aucun dommage. Voir les instructions aux chapitres « Disques découpeurs » et « Montage et réglages ».
- Vérifiez que le type de disque découpeur utilisé convient à l'application en question. Voir instructions aux rubriques « Disques découpeurs ».
- Ne coupez jamais de matériaux en amiante !
- Tenez fermement la scie à deux mains, en encerclant les poignées de vos pouces et autres doigts. Tenez la main droite sur la poignée arrière et la main gauche

# COMMANDE

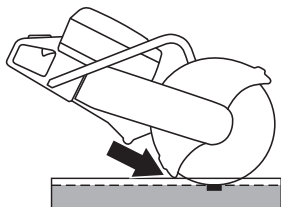
sur la poignée avant. Tous les utilisateurs, qu'ils soient droitiers ou gauchers, doivent la tenir ainsi. N'utilisez jamais une découpeuse en la tenant d'une seule main.



- Tenez-vous parallèlement au disque découpeur. Évitez de vous tenir juste derrière celui-ci. En cas de rebond, la scie bouge dans le plan du disque découpeur.

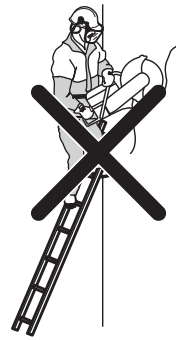


- Tenez-vous éloigné du disque découpeur tandis que le moteur tourne.
- Ne laissez jamais la machine sans surveillance avec le moteur en marche.
- Ne pas déplacer la machine quand l'équipement de coupe tourne. La machine est équipée d'un frein à friction pour écourter le temps d'arrêt de la lame.
- La protection de l'équipement de coupe doit être positionnée de sorte que sa partie arrière soit en contact avec la pièce à travailler. Les projections et les étincelles du matériau découpé sont alors recueillies par la protection et dirigées loin de l'utilisateur. Les protections de l'équipement de coupe doivent toujours être montées quand la machine est en marche.



- N'utilisez jamais la zone de rebond du disque **pour découper**. Voir les instructions à la section « Rebond ».
- Soyez bien en équilibre, les pieds d'aplomb.
- Ne découpez jamais au-dessus de la hauteur des épaules.
- Ne coupez jamais sur une échelle. Utilisez une plateforme ou un échafaudage en cas de découpe au-

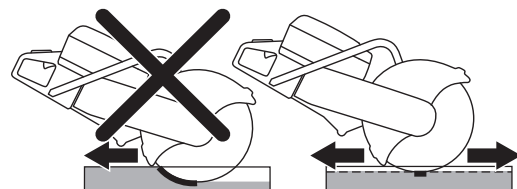
dessus de la hauteur d'épaule. Ne vous penchez pas trop



- Tenez-vous à une distance confortable de la pièce à découper.
- Contrôler que le disque n'est pas en contact avec quoi que ce soit quand la machine est démarrée
- Posez le disque découpeur délicatement à haute vitesse de rotation (plein régime). Maintenez le plein régime jusqu'à la fin de la découpe.
- Laissez travailler la machine sans essayer de forcer ni d'enfoncer la lame.
- Avancer la machine dans l'axe du disque découpeur. Les pressions latérales peuvent détruire le disque découpeur et sont très dangereuses.



- Déplacer lentement le disque d'avant en arrière pour obtenir une petite surface de contact entre le disque et le matériau à découper. De cette manière, la température du disque demeure basse et la découpe est efficace.



## Gestion de la poussière

La machine est équipée d'un système à faible aspersion d'eau qui élimine la poussière de manière optimale.

Utilisez dans la mesure du possible des disques de découpe à l'eau avec refroidissement par eau pour gérer au mieux les poussières. Voir instructions aux rubriques « Disques découpeurs ».

Ajustez le débit d'eau à l'aide du robinet pour lier la poussière de découpe. Le volume d'eau requis dépend du type de tâche à réaliser.

# COMMANDE

Un détachement des flexibles d'eau de leur source d'alimentation indique que la pression d'eau est trop élevée. Vous trouverez des informations sur la pression d'eau recommandée au chapitre « Caractéristiques techniques ».

## Découpe avec des lames dentées/à plaquettes lors d'opérations de secours



**AVERTISSEMENT! N'utilisez jamais une découpeuse avec lame à plaquettes pour des missions non urgentes, telles que des opérations de construction.**

**N'oubliez pas que les lames à plaquettes sont plus sujettes aux rebonds que les disques abrasifs et les lames diamant si elles ne sont pas utilisées correctement.**

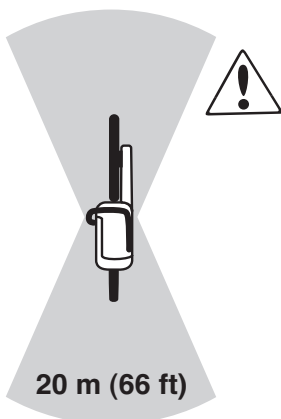
Si la force de sécurité publique (service de lutte contre les incendies) ayant acheté cette découpeuse a décidé d'équiper cette unité d'une lame à plaquettes pour les opérations de secours, il convient de se conformer aux questions de sécurité suivantes.

### Formation et équipement de protection

- Seuls les opérateurs formés à l'utilisation d'une découpeuse équipée d'une lame à plaquettes doivent être autorisés à faire fonctionner cette découpeuse.
- L'utilisateur doit porter un équipement de protection de lutte contre le feu en toutes circonstances.
- L'utilisateur doit porter un écran facial complet (pas uniquement des lunettes de protection) afin de protéger son visage des débris volants ou d'un rebond soudain de la découpeuse.

### Zone de risque

Quiconque ne porte pas l'équipement de protection décrit ci-dessus ne doit pas être autorisé à pénétrer dans la zone de risque de projection de matériaux.

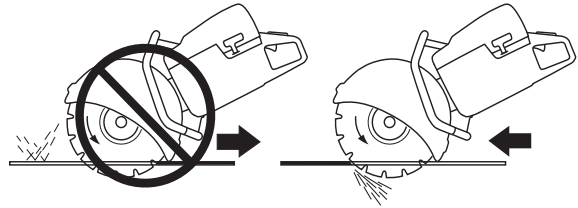


### Vitesse lame

Posez le disque découpeur délicatement à haute vitesse de rotation (plein régime). Maintenez le plein régime jusqu'à la fin de la découpe. Une vitesse de lame réduite, surtout avec des matériaux durs et fins, peut causer un blocage de la machine ou une rupture des plaquettes.

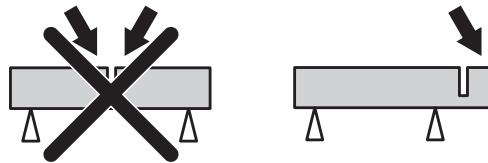
### Matériaux fins

Les découpes de matériaux fins et durs (d'une tôle métallique de couverture de toit par ex.) doivent s'effectuer vers l'avant, pour un meilleur contrôle de la machine.



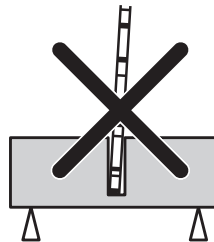
### Pincement ou blocage

Anticipez avec précaution le mouvement de l'objet lors de phase finale de la découpe afin d'éviter tout pincement ou blocage. L'entaille doit être ouverte lors de la découpe. Si l'objet s'affaisse ou si l'entaille commence à se refermer, il est possible que la lame se pince, ce qui pourrait entraîner un rebond ou endommager la lame.



### Découpe en ligne

Une trajectoire oblique ou déformée réduira l'efficacité de la découpe et endommagera la lame.



### Avant chaque opération de secours

Vérifiez la lame et le protège-lame afin de détecter d'éventuels dommages ou fissures. Remplacez la lame ou le protège-lame s'ils ont subi des coups ou s'ils présentent des fissures.

- Vérifiez qu'aucune dent en métal dur ne s'est détachée de la lame.
- Vérifier que la lame n'est pas voilée et qu'elle ne porte aucun signe de fissures ou autres dégâts.

Lors de la découpe de matériaux durs, les lames à plaquettes perdent rapidement leur précision. Pour de meilleures performances lors d'opérations de secours, nous recommandons l'installation d'une nouvelle lame.

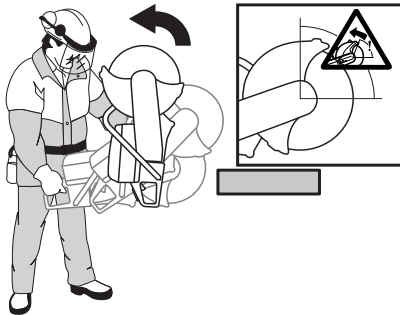
# COMMANDE

## Rebond



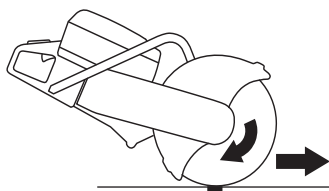
**AVERTISSEMENT!** Les rebonds sont soudains et peuvent être très violents. La découpeuse peut être éjectée vers le haut puis retomber en direction de l'utilisateur dans un mouvement de rotation qui peut causer des blessures sérieuses, voire mortelles. Il est indispensable de comprendre ce qui cause le rebond et de savoir comment l'éviter avant d'utiliser la machine.

Le rebond est un mouvement soudain vers le haut qui peut survenir si la lame se pince ou se coince dans la zone de rebond. La plupart des rebonds sont légers et présentent peu de dangers. Un rebond peut cependant être très violent et envoyer la découpeuse vers le haut puis la faire retomber en direction de l'utilisateur dans un mouvement de rotation pouvant causer des blessures sérieuses, voire mortelles.



### Force de réaction

Une force de réaction s'exerce toujours lors de la découpe. Cette force tire la machine dans la direction opposée à la rotation de la lame. La plupart du temps, cette force est insignifiante. Si la lame se pince ou se coince, la force de réaction sera forte et il est possible que vous perdiez le contrôle de la découpeuse.

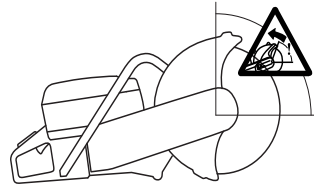


Ne pas déplacer la machine quand l'équipement de coupe tourne. Les forces gyroscopiques peuvent entraver le mouvement prévu.

### Zone de rebond

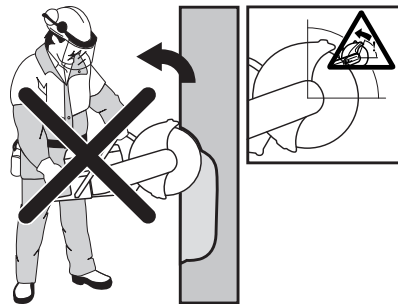
N'utilisez jamais la zone de rebond du disque **pour découper**. Si la lame se pince ou se coince dans la zone de rebond, la force de réaction va pousser la découpeuse vers le haut, puis la faire retomber en direction de

l'utilisateur dans un mouvement de rotation qui peut causer des blessures sérieuses, voire mortelles.



### Rebond de grimpée

Si la zone de rebond est utilisée pour la découpe, la force de réaction entraîne une grimpée de la lame dans l'entaille. N'utilisez pas la zone de rebond. Utilisez le quart inférieur du disque pour éviter le rebond de grimpée.



### Rebond de pincement

Un pincement se produit quand l'entaille se referme et pince la lame. Si la lame se pince ou se coince, la force de réaction sera forte et il est possible que vous perdiez le contrôle de la découpeuse.



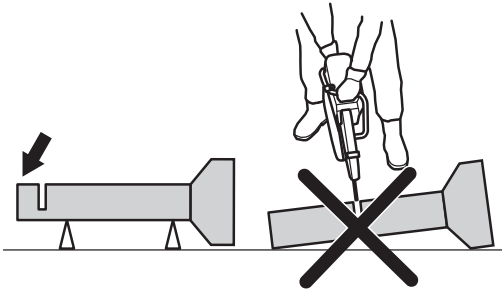
Si la lame se pince ou se coince dans la zone de rebond, la force de réaction va pousser la découpeuse vers le haut, puis la faire retomber en direction de l'utilisateur dans un mouvement de rotation qui peut causer des blessures sérieuses, voire mortelles. Faites attention aux éventuels mouvements de la pièce à travailler. Si la pièce à travailler n'est pas correctement soutenue et qu'elle se décale lors de la découpe, elle risque de pincer la lame et d'entraîner un rebond.

### Découpe de tubes

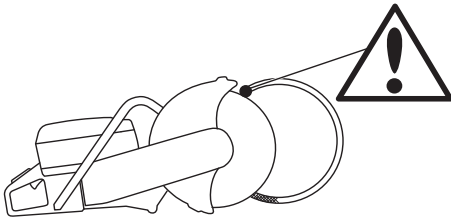
Faites particulièrement attention lorsque vous découpez des tubes. Si le tube n'est pas bien soutenu et si l'entaille n'est pas maintenue entièrement ouverte, la lame risque de se pincer dans la zone de rebond et de causer des blessures sérieuses. Faites particulièrement attention lors de la découpe d'un tuyau en tulipe ou d'un tuyau dans une tranchée qui, s'il n'est pas correctement soutenu, risque de pendre et de pincer la lame.

# COMMANDE

Avant d'entamer la découpe, le tuyau doit être installé de manière à ce qu'il ne puisse pas bouger ou rouler pendant la découpe.

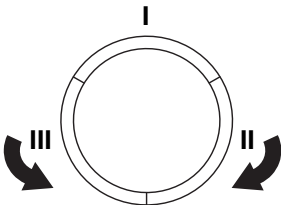


Si le tuyau peut pendre et fermer la coupe, la lame risque d'être pincée dans la zone de rebond et cela peut susciter un rebond important. Si le tuyau est correctement soutenu, l'extrémité du tuyau va descendre et la coupe va s'ouvrir sans aucun pincement.



## Déroulement correct de la découpe d'un tuyau

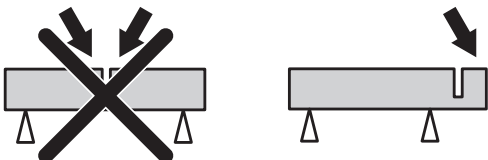
- 1 Découpez d'abord la section I.
- 2 Passez à la section II et découpez de la section I jusqu'au bas du tuyau.
- 3 Passez à la section III et découpez la partie restante du tuyau, en finissant en bas.



## Comment éviter le rebond

Il est facile d'éviter un rebond.

- La pièce doit toujours être soutenue de façon à ce que l'entaille reste ouverte lors de la découpe. Lorsque l'entaille s'ouvre, aucun rebond ne se produit. Si l'entaille se referme et pince la lame, il y a toujours un risque de rebond.



- Faire attention lorsque vous introduisez de nouveau la scie dans une entaille.
- Soyez prêt à déplacer votre pièce, ou tout autre objet susceptible de bloquer la scie en comprimant l'entaille.

## Transport et rangement

- Sécurisez l'équipement lors du transport afin d'éviter tout dommage ou accident.
- Ne pas remiser ni transporter la découpeuse avec le disque découpeur monté.
- Pour le transport et le rangement des disques découpeurs, voir la rubrique « Disques découpeurs ».
- Pour le transport et le remisage du carburant, voir la rubrique « Manipulation du carburant ».
- Stockez l'équipement dans un endroit verrouillé afin de le maintenir hors de portée des enfants et de toute personne incompétente.



# DÉMARRAGE ET ARRÊT

## Avant le démarrage



**AVERTISSEMENT!** Contrôler les points suivants avant la mise en marche: Lire attentivement et bien assimiler le manuel d'utilisation avant d'utiliser la machine.

Portez un équipement de protection personnelle. Reportez-vous au chapitre Équipement de protection personnelle.

Ne démarrez pas la machine sans avoir monté la courroie et le carter de la courroie. Sinon, l'embrayage risque de se détacher et de provoquer des blessures personnelles.

Vérifiez que le bouchon du réservoir est correctement sécurisé et qu'il n'y a pas de fuite de carburant.

Veiller à ce qu'aucune personne non autorisée ne se trouve dans la zone de travail pour éviter le risque de blessures graves.

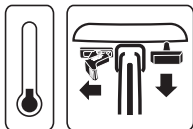
- Effectuez un entretien quotidien. Voir les instructions au chapitre « Entretien ».

## Démarrage

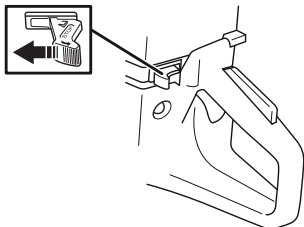


**AVERTISSEMENT!** Le disque se met à tourner dès le lancement du moteur. Vérifier qu'il tourne librement.

### Moteur froid:



- Veiller à ce que le bouton d'arrêt (STOP) soit sur sa position de gauche.

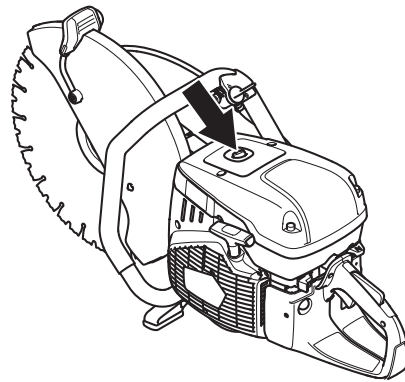


- La position de ralenti accéléré et le starter sont engagés en tirant complètement le starter.

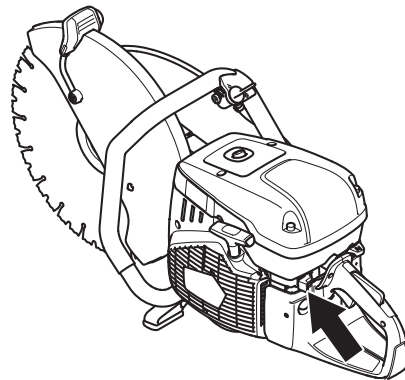


- Décompresseur:** Enfoncer le décompresseur pour réduire la pression dans le cylindre et faciliter le démarrage de la découpeuse. Toujours utiliser le décompresseur au démarrage. Une fois le moteur

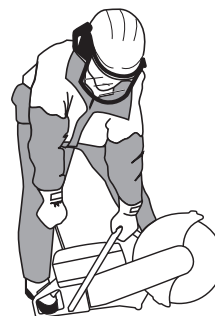
lancé, le décompresseur se remet automatiquement en position initiale.



- Appuyer sur la poche en caoutchouc de la pompe à carburant plusieurs fois jusqu'à ce que le carburant commence à remplir la poche (env. 6 fois). Il n'est pas nécessaire de remplir la poche complètement.



- Saisir la poignée avant avec la main gauche. Placer le pied droit sur la partie inférieure de la poignée arrière et appuyer la machine sur le sol. Tirez la poignée du lanceur d'un coup sec avec la main droite jusqu'à ce que le moteur démarre. **Ne jamais enrouler la corde du lanceur autour de la main.**



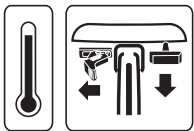
# DÉMARRAGE ET ARRÊT

- Appuyez sur le starter dès que le moteur démarre. Avec le starter tiré, le moteur s'arrête au bout de quelques secondes (si le moteur s'arrête de toute façon, tirez à nouveau sur la poignée du lanceur).
- Appuyez sur la gâchette d'accélération pour désengager le ralenti accéléré ; la machine tourne alors au ralenti.

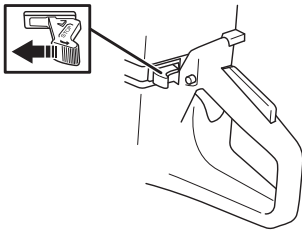
**ATTENTION !** Tirez lentement sur la corde du lanceur de la main droite jusqu'à ce qu'une résistance se fasse sentir (les cliquets se mettent en prise), puis tirez plusieurs fois rapidement et avec force.

Ne pas sortir complètement la corde du lanceur et ne pas lâcher la poignée avec la corde du lanceur complètement sortie. Cela pourrait endommager la machine.

## Avec un moteur chaud :



- Veiller à ce que le bouton d'arrêt (STOP) soit sur sa position de gauche.



- Ramener le starter sur la position starter. La position starter est également la position de ralenti accéléré automatique.



- **Décompresseur:** Enfoncer le décompresseur pour réduire la pression dans le cylindre et faciliter le démarrage de la découpeuse. Toujours utiliser le décompresseur au démarrage. Une fois le moteur lancé, le décompresseur se remet automatiquement en position initiale.



- Appuyez sur le starter pour le désactiver (sans désengager la position de ralenti accéléré).



- Saisir la poignée avant avec la main gauche. Placer le pied droit sur la partie inférieure de la poignée arrière et appuyer la machine sur le sol. Tirez la poignée du lanceur d'un coup sec avec la main droite jusqu'à ce que le moteur démarre. **Ne jamais enrouler la corde du lanceur autour de la main.**



- Appuyez sur la gâchette d'accélération pour désengager le ralenti accéléré ; la machine tourne alors au ralenti.

**ATTENTION !** Tirez lentement sur la corde du lanceur de la main droite jusqu'à ce qu'une résistance se fasse sentir (les cliquets se mettent en prise), puis tirez plusieurs fois rapidement et avec force.

Ne pas sortir complètement la corde du lanceur et ne pas lâcher la poignée avec la corde du lanceur complètement sortie. Cela pourrait endommager la machine.

# DÉMARRAGE ET ARRÊT



**AVERTISSEMENT!** Lorsque le moteur tourne, l'échappement contient des produits chimiques comme des hydrocarbures non brûlés et du monoxyde de carbone. Le contenu des gaz d'échappement est connu pour causer des problèmes respiratoires, des cancers, des malformations congénitales ou d'autres problèmes liés à la reproduction.

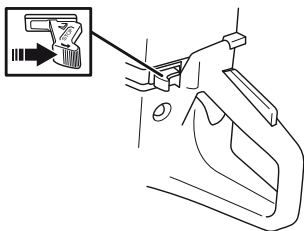
Le monoxyde de carbone est incolore et insipide, mais il est toujours présent dans les gaz d'échappement. Le début de l'empoisonnement au monoxyde de carbone se caractérise par de légers vertiges qui peuvent ou non être reconnus par la victime. Une personne peut s'effondrer ou perdre connaissance sans aucun avertissement si la concentration en monoxyde de carbone est suffisamment élevée. Comme le monoxyde de carbone est incolore et inodore, sa présence peut ne pas être détectée. Dès que des odeurs d'échappement sont perçues, le monoxyde de carbone est présent. N'utilisez jamais une découpeuse à essence à l'intérieur, dans des tranchées profondes de plus de 3 pieds (1 mètre) ou dans toute autre zone mal ventilée. Veillez à disposer d'une ventilation adaptée en cas de travail dans des tranchées ou d'autres espaces confinés.

## Arrêt



**REMARQUE !** Le disque découpeur continue à tourner pendant au maximum une minute après l'arrêt du moteur. (Couchage à la lame.) Assurez-vous que le disque découpeur peut tourner librement jusqu'à son arrêt complet. Toute négligence peut causer de graves blessures.

- Pour arrêter le moteur, placer le bouton d'arrêt (STOP) sur sa position de droite.



# ENTRETIEN

## Généralités



**AVERTISSEMENT!** L'utilisateur ne peut effectuer que les travaux d'entretien et de révision décrits dans ce manuel d'utilisation. Les mesures plus importantes doivent être effectuées dans un atelier d'entretien agréé.

Le moteur doit être éteint et le bouton d'arrêt en position STOP.

Portez un équipement de protection personnelle. Reportez-vous au chapitre Équipement de protection personnelle.

La durée de vie de la machine risque d'être écourtée et le risque d'accidents accru si la maintenance de la machine n'est pas effectuée correctement et si les mesures d'entretien et/ou de réparation ne sont pas effectuées de manière professionnelle. Pour obtenir de plus amples informations, contacter l'atelier de réparation le plus proche.

- Faites régulièrement contrôler la machine par votre revendeur Husqvarna afin qu'il procède aux installations et réparations adéquates.

## Schéma d'entretien

Le calendrier de maintenance vous indique quelles pièces de la machine nécessitent un entretien et à quelle fréquence cet entretien doit avoir lieu. La fréquence est calculée en fonction de l'utilisation quotidienne de la machine, et peut varier en fonction du degré d'utilisation.

Entretien quotidien	Entretien hebdomadaire	Entretien mensuel
<b>Nettoyage</b>	<b>Nettoyage</b>	<b>Nettoyage</b>
Nettoyage extérieur		Bougie
Prise d'air de refroidissement		Réservoir d'essence
<b>Contrôle fonctionnel</b>	<b>Contrôle fonctionnel</b>	<b>Contrôle fonctionnel</b>
Inspection générale	Système anti-vibrations*	Système de carburant
Blocage de l'accélération*	Silencieux*	Filtre à air
Bouton d'arrêt*	Courroie d'entraînement	Roue d'entraînement, embrayage
Protection du disque découpeur*	Carburateur	
Disque de découpage**	Lanceur	

\*Voir instructions à la rubrique « Équipement de sécurité de la machine ».

\*\* Voir instructions aux rubriques « Disques découpeurs » et « Montage et réglages ».

## Nettoyage

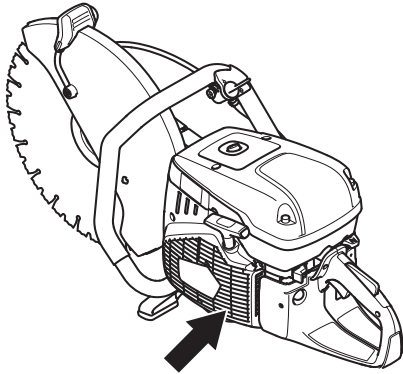
### Nettoyage extérieur

- Nettoyer la machine quotidiennement en la rinçant à l'eau propre une fois le travail terminé.

# ENTRETIEN

## Prise d'air de refroidissement

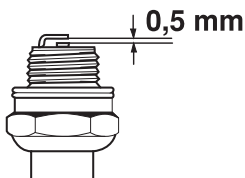
- Nettoyez la prise d'air de refroidissement lorsque nécessaire.



**ATTENTION !** Une prise d'air sale ou bouchée provoque la surchauffe de la machine, ce qui endommage le piston et le cylindre.

## Bougie

- Si la puissance de la machine est faible, si la machine est difficile à mettre en marche ou si le ralenti est irrégulier, toujours commencer par contrôler l'état de la bougie avant de prendre d'autres mesures.
- Vérifier que le chapeau de bougie et le câble d'allumage ne sont pas endommagés afin d'éviter tout risque de choc électrique.
- Si la bougie est encrassée, la nettoyer et contrôler que l'écartement des électrodes est de 0,5 mm. Remplacez-les si nécessaire.



**ATTENTION !** Toujours utiliser le type de bougie recommandé! Une bougie incorrecte peut endommager le piston/le cylindre.

Ces facteurs peuvent concourir à l'apparition de calamine sur les électrodes, ce qui à son tour entraîne un mauvais fonctionnement du moteur et des démarrages difficiles.

- Mauvais mélange de l'huile dans le carburant (trop d'huile ou huile inappropriée).
- La propreté du filtre à air.

## Contrôle fonctionnel

### Inspection générale

- S'assurer que toutes les vis et tous les écrous sont bien serrés.

## Courroie d'entraînement

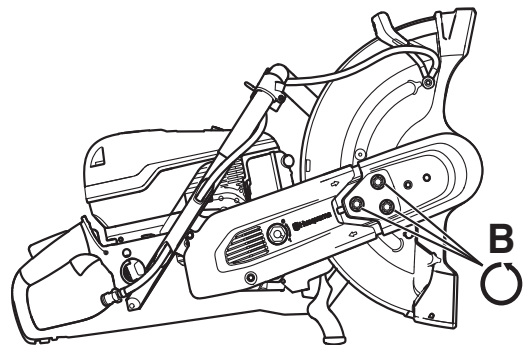
### Tension de la courroie d'entraînement

Une courroie d'entraînement neuve doit être tendue une fois après un ou deux pleins de carburant.

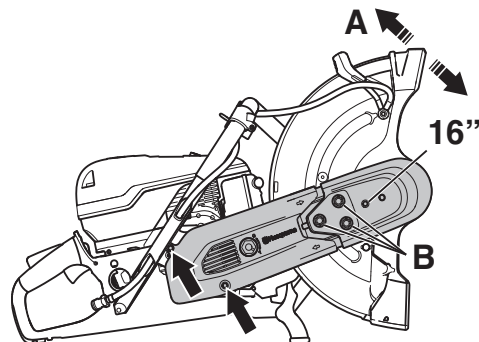
La machine étant équipée d'un frein à friction, un bruit de frottement se fait entendre depuis le logement de palier lorsque la lame est tournée à la main. Ceci est entièrement normal. En cas de questions, contacter un atelier Husqvarna autorisé.

La courroie d'entraînement est encapsulée et bien protégée contre la poussière et la saleté.

- Desserrez les trois boulons (B) d'un tour dans le sens contraire des aiguilles d'une montre.



- Agitez le protège-lame (A) de haut en bas entre 3 et 5 fois, puis serrez les écrous (B) à l'aide d'une clé mixte.



### Remplacement de la courroie d'entraînement

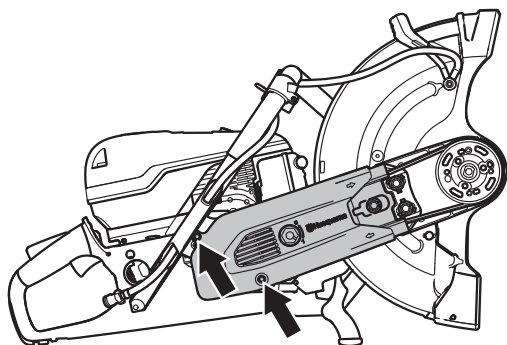


**AVERTISSEMENT!** Ne jamais démarrer le moteur quand la poulie et l'embrayage sont démontés à des fins d'entretien. Ne pas démarrer la machine sans avoir monté le bras et l'unité de coupe. Sinon, l'embrayage risque de se détacher et de provoquer des blessures personnelles.

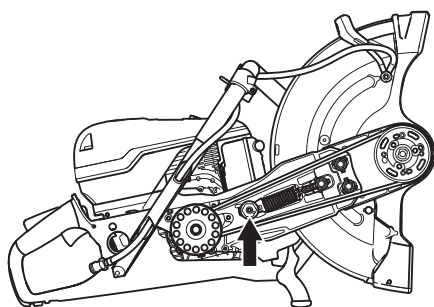
- Démontez l'unité de coupe (voir les instructions du chapitre « Unité de coupe réversible »).

# ENTRETIEN

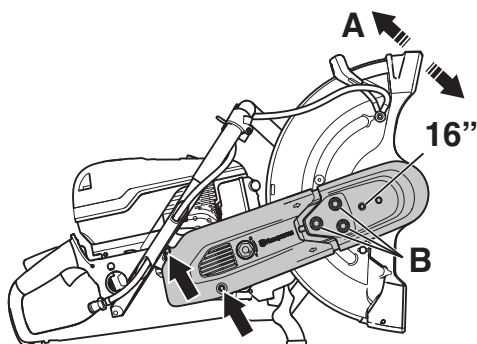
- Ensuite, déposez le carter de la courroie arrière.



- Remplacer la courroie d'entraînement. Tournez le tendeur de courroie sur la position « 1 » pour tendre la courroie d'entraînement.



- Montez les carters de courroie et serrez les écrous (B) à la main. Agitez le protège-lame (A) de haut en bas entre 3 et 5 fois, puis serrez les écrous (B) à l'aide d'une clé mixte.



## Carburateur

Le carburateur est équipé de pointeaux fixes pour que la machine reçoive toujours le mélange correct d'air et de carburant. Procéder comme suit si le moteur manque de puissance ou accélère mal:

- Contrôler le filtre à air et le remplacer si nécessaire. Si le problème demeure, contacter un atelier de réparation autorisé.

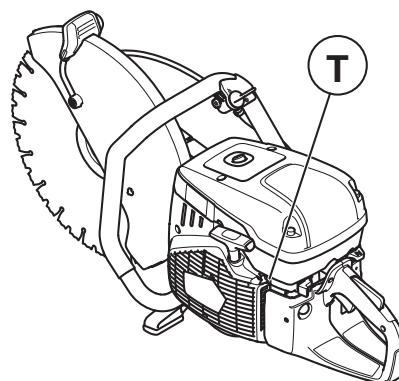
## Réglage du ralenti



**REMARQUE !** Contacter le revendeur/atelier de réparation s'il est impossible de régler le régime de ralenti pour immobiliser les couteaux. Ne pas utiliser la machine tant qu'elle n'est pas correctement réglée ou réparée.

Démarrer le moteur et contrôler le réglage du ralenti. Lorsque le carburateur est correctement réglé, le disque découpeur doit rester immobile au régime de ralenti.

- Régler le ralenti à l'aide de la vis T. Si un réglage est nécessaire, commencer par tourner la vis de ralenti dans le sens des aiguilles d'une montre jusqu'à ce que le disque de coupe se mette à tourner. Tourner ensuite la vis dans le sens contraire des aiguilles d'une montre jusqu'à ce que le disque cesse de tourner.



Régime de ralenti recommandé: 2700 tr/min

# ENTRETIEN

## Lanceur

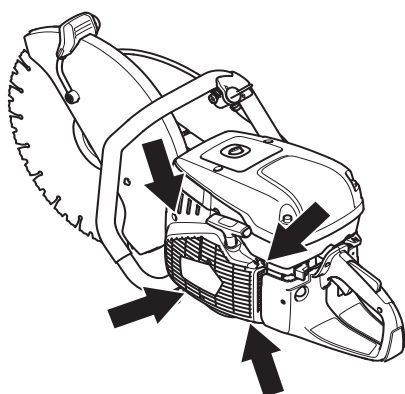


**AVERTISSEMENT!** Le ressort de rappel est tendu et risque, en cas de manipulation imprudente, de sortir du boîtier et de causer des blessures.

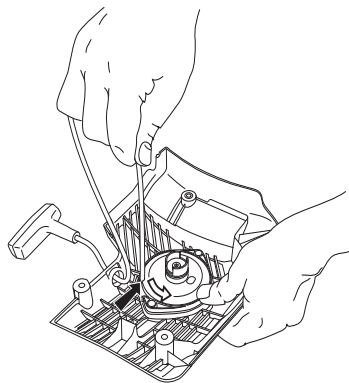
Observer la plus grande prudence lors du remplacement du ressort ou de la corde. Toujours porter des lunettes protectrices.

### Remplacement d'une corde de lanceur rompue ou usée

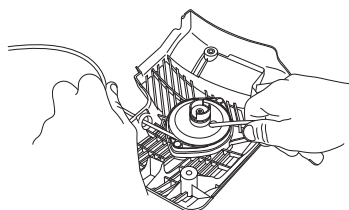
- Déposer les vis maintenant le lanceur contre le carter moteur et sortir le lanceur.



- Tirer la corde d'environ 30 cm et la sortir de l'encoche à la périphérie de la poulie. Si la corde est entière: Relâcher la tension du ressort en laissant tourner lentement la poulie vers l'arrière.

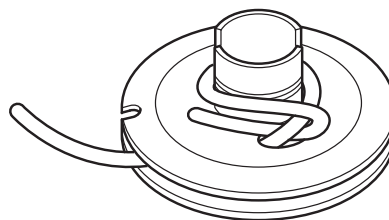


- Retirer les restes de l'ancienne corde du lanceur et contrôler que le ressort de démarrage fonctionne. Introduire la nouvelle corde du lanceur dans le trou dans le corps du lanceur et dans la poulie.



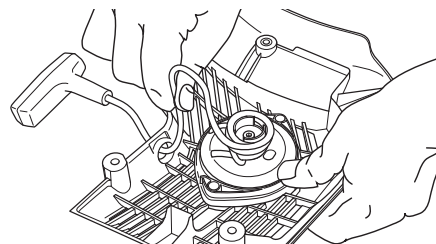
- Bloquer la corde du lanceur autour du centre de la poulie comme illustré sur la figure. Serrer fermement la fixation et veiller à ce que l'extrémité libre soit aussi

courte que possible. Attacher l'extrémité de la corde du lanceur dans la poignée de démarrage.



### Mise sous tension du ressort

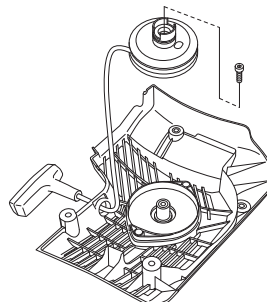
- Faire pénétrer la corde dans l'encoche dans la périphérie de la poulie et faire 3 tours dans le sens des aiguilles d'une montre autour du centre de la poulie.



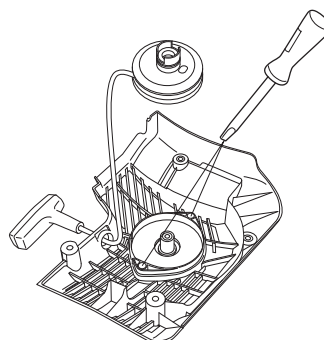
- Tirer ensuite la poignée de démarrage, ce qui tend le ressort. Répéter encore une fois la procédure mais faire quatre tours.
- Observer que la poignée de démarrage est tirée dans la position correcte quand le ressort est tendu.
- Contrôler que le ressort n'est pas tiré jusqu'à sa position extrême et tirer la corde de lanceur au maximum. Freiner la poulie avec le pouce et contrôler que le poulie peut encore être tournée d'un demi tour.

### Remplacement d'un ressort de rappel rompu

- Déposer la vis au centre de la poulie et enlever la poulie.

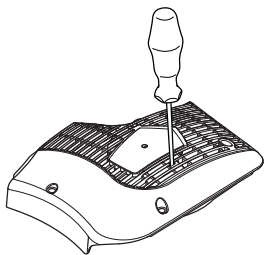


- Penser que le ressort de rappel est tendu dans le corps du lanceur.
- Desserrer les vis qui maintiennent la cassette du ressort.



# ENTRETIEN

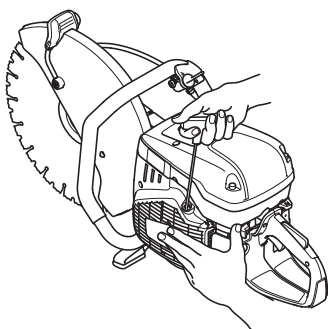
- Retirer le ressort de rappel en utilisant le lanceur et détacher les crochets à l'aide d'un tournevis. Les crochets maintiennent l'ensemble ressorts de rappel sur le lanceur.



- Lubrifier le ressort avec de l'huile fluide. Remonter la poulie et mettre le ressort sous tension.

## Montage du lanceur

- Monter le lanceur en commençant par dévider la corde avant de mettre le lanceur en place contre le carter moteur. Lâcher ensuite la corde lentement pour permettre aux cliquets de s'enclencher dans la poulie.



- Serrer les vis.

## Systeme de carburant

### Généralités

- Contrôler que le bouchon du réservoir et son joint sont intacts.
- Vérifier le tuyau à carburant. Le remplacer s'il est endommagé.

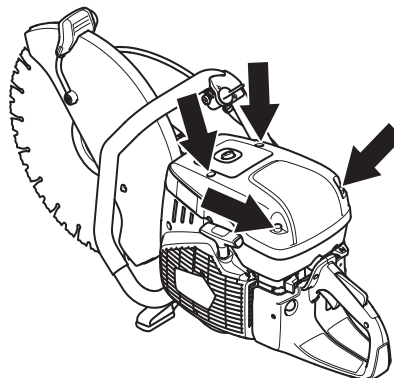
### Filtre à carburant

- Le filtre à carburant est situé à l'intérieur du réservoir de carburant.
- Le réservoir à carburant doit être protégé des saletés lors du remplissage. Ceci réduit le risque de dysfonctionnements dus à un colmatage du filtre à carburant situé à l'intérieur du réservoir.
- Le filtre à carburant ne peut pas être nettoyé et doit donc être remplacé par un filtre neuf lorsqu'il est colmaté. **Le filtre doit être remplacé au moins une fois par an.**

## Filtre à air

Le filtre à air ne doit être vérifié que si la puissance du moteur diminue.

- Desserrer les vis. Retirer le couvercle du filtre à air.

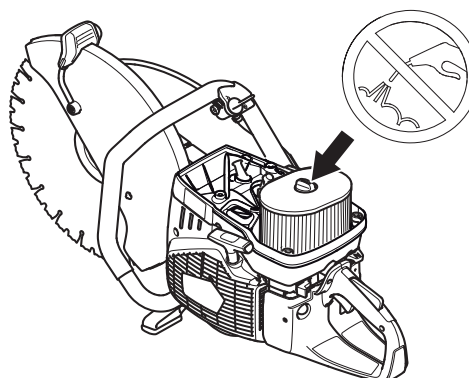


- Contrôler le filtre à air et le remplacer si nécessaire.

## Changement du filtre à air

**ATTENTION !** Le filtre à air ne doit pas être nettoyé ou rincé à l'air comprimé. Ceci endommagerait le filtre.

- Retirer la vis.



- Remplacer le filtre à air.

## Roue d'entraînement, embrayage

- Contrôler le degré d'usure du centre de l'embrayage, du pignon et du ressort d'embrayage.



# RECHERCHE DE PANNES

## Plan de recherche de pannes



**AVERTISSEMENT!** Si les opérations de service ou de recherche de panne n'exigent pas que la machine soit allumée, éteignez le moteur et mettez le bouton d'arrêt dans la position d'arrêt.

Problème	Cause probable	Proposition de solution
La machine ne tourne pas	Procédure de démarrage incorrecte.	Voir les instructions au chapitre Démarrage et arrêt.
	Bouton d'arrêt dans la bonne position (STOP)	Veiller à ce que le bouton d'arrêt (STOP) soit sur sa position de gauche.
	Manque de carburant dans le réservoir	Faites l'appoint en carburant
	Bougie d'allumage défectueuse	Remplacer la bougie d'allumage.
	Embrayage défectueux	Contactez votre atelier spécialisé.
La lame tourne au ralenti	Régime de ralenti trop élevé	Réglez le régime de ralenti
	Embrayage défectueux	Contactez votre atelier spécialisé.
La lame ne tourne pas lors de l'accélération	Courroie trop lâche ou défectueuse	Serrez la courroie / Remplacez la courroie par une nouvelle.
	Embrayage défectueux	Contactez votre atelier spécialisé.
	Montage incorrect de la lame	Assurez-vous que la lame est correctement installée.
La machine n'a pas de puissance lors de la tentative d'accélération	Filtre à air bouché	Contrôlez le filtre à air et remplacez-le si nécessaire.
	Filtre à carburant bouché	Remplacer le filtre à carburant
	Prise d'air du réservoir d'essence bouchée	Contactez votre atelier spécialisé.
Les niveaux de vibration sont trop élevés	Montage incorrect de la lame	Contrôlez également que le disque découpeur est correctement monté et qu'il ne présente aucun dommage. Voir les instructions aux chapitres « Disques découpeurs » et « Montage et réglages ».
	Lame défectueuse	Remplacez la lame et assurez-vous qu'elle est en parfait état.
	Éléments anti-vibrations défectueux	Contactez votre atelier spécialisé.
Température trop élevée de la machine	Prise d'air ou ailettes de refroidissement bouchées	Nettoyez les brides de refroidissement/ prise d'air
	Patinage de la courroie	Vérifiez la courroie ou réglez la tension
	Patinage de l'embrayage / Embrayage défectueux	Toujours découper à plein régime. Vérifiez l'embrayage / Contactez votre atelier spécialisé

# CARACTÉRISTIQUES TECHNIQUES

## Caractéristiques techniques

<b>Caractéristiques techniques</b>	<b>K970 III, K970 III Rescue</b>
<b>Moteur</b>	
Cylindrée, cm <sup>3</sup> /cu.in	93,6/5,7
Alésage, mm/pouce	56/2,2
Course, mm/po	38/1,5
Régime de ralenti, tr/min	2700
Pleins gaz - sans charge, régime en tr/min	9300 (+/- 150)
Puissance, kW/hp @ tr/min	4,8/6,5 @ 9000
<b>Système d'allumage</b>	
Fabricant du système d'allumage	SEM
Type de système d'allumage	CD
Bougie	NGK BPMR 7A/ Champion RCJ 6Y
Écartement des électrodes, mm/pouce	0,5/0,02
<b>Système de graissage/de carburant</b>	
Fabricant du carburateur	Walbro
Type de carburateur	RWJ-7
Contenance du réservoir de carburant, litres/US fl.Oz	1/33,8
<b>Refroidissement par eau</b>	
Pression d'eau recommandée, en bars/PSI	0,5-10/7-150

<b>Poids</b>	<b>14" (350 mm)</b>	<b>16" (400 mm)</b>
Découpeuse sans carburant ni disque découpeur, kg/lb	11,0/24,3	11,6/25,6
<b>Rotation, arbre de sortie</b>		
Vitesse de rotation max., tr/min	4700	4300
Max. vitesse périphérique, m/s / ft/min	90/18000	90/18000

<b>Émissions sonores (voir remarque 1)</b>		
Niveau de puissance sonore mesuré dB(A)	114	114
Niveau de puissance sonore garanti L <sub>WA</sub> dB(A)	115	115
<b>Niveaux sonores (voir remarque 2)</b>		
Niveau de pression sonore équivalent au niveau de l'oreille de l'utilisateur, dB(A)	104	104
<b>Niveaux de vibrations équivalents, a<sub>hveq</sub> (voir remarque 3)</b>		
Poignée avant, m/s <sup>2</sup>	3,8	3,5
Poignée arrière, m/s <sup>2</sup>	4,2	4,0

Remarque 1: Émission sonore dans l'environnement mesurée comme puissance acoustique (L<sub>WA</sub>) selon la directive UE 2000/14/CE. Le niveau de puissance sonore garanti diffère du niveau mesuré en cela qu'il prend également en compte la dispersion et les variations d'une machine à l'autre du même modèle, conformément à la directive 2000/14/CE.

Remarque 2: Le niveau de pression sonore équivalent, selon EN ISO 19432, correspond à la somme d'énergie pondérée pour divers niveaux de pression sonore à différents régimes. Les données reportées pour le niveau de pression sonore équivalent pour la machine montrent une dispersion statistique typique (déviations standard) de 1 dB (A).

Remarque 3: Le niveau de vibrations équivalent, selon EN ISO 19432, correspond à la somme d'énergie pondérée pour les niveaux de vibrations à différents régimes. Les données reportées pour le niveau de vibrations équivalent montrent une dispersion statistique typique (déviations standard) de 1 m/s<sup>2</sup>.

# CARACTÉRISTIQUES TECHNIQUES

## Disque découpeur diamant et abrasif recommandé, spécifications

Diamètre du disque découpeur, po/mm	Profondeur de coupe max., mm/inch	Vitesse de rotation du disque, tr/min	Vitesse de rotation du disque, m/s / pi/min	Diamètre du trou central du disque	Épaisseur max. de la lame, mm/inch
14" (350 mm)	125/5	5500	100/19600	25,4 mm / 1" ou 20 mm	5/0,2
16" (400 mm)	155/6	4775	100/19600	25,4 mm / 1" ou 20 mm	5/0,2

## Déclaration CE de conformité

### (Concerne seulement l'Europe)

Husqvarna AB, SE-561 82 Huskvarna, Suède, tél.: +46-36-146500, déclarons sous notre seule responsabilité que la découpeuse **Husqvarna K970 III, K970 III Rescue** à partir des numéros de série de l'année 2016 (l'année est indiquée clairement sur la plaque signalétique suivie d'un numéro de série) auquel se réfère ce document est conforme aux dispositions des DIRECTIVES DU CONSEIL:

- du 17 mai 2006 "directive machines" **2006/42/CE**.
- du 26 février 2014 "compatibilité électromagnétique" **2014/30/UE**.
- du 8 mai 2000 "émissions sonores dans l'environnement" **2000/14/CE**. Estimation de la conformité effectuée selon l'Annexe V.

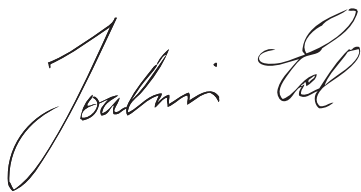
Pour des informations sur les émissions sonores, voir le chapitre Caractéristiques techniques.

Les normes harmonisées suivantes ont été appliquées: **EN ISO 12100:2010, EN ISO 14982:2009, CISPR12:2007+AMD1:2009, EN55012:2008+A1:2009, EN ISO 19432:2012**

L'organisme notifié: 0404, SMP Svensk Maskinprovning AB, Box 7035, SE-750 07 Uppsala, Suède, a procédé à des examens de type volontaire conformément à la directive machines (2006/42/CE), pour le compte de Husqvarna AB. Le certificat a le numéro: SEC/10/2286.

De plus, SMP, Svensk Maskinprovning AB, Box 7035, SE-750 07 Uppsala, Suède, a confirmé la conformité avec l'annexe V de la Directive du Conseil du 8 mai 2000 relative aux "émissions sonores dans l'environnement" 2000/14/CE. Le certificat a le numéro: 01/169/034 - K970 III, K970 III Rescue

Göteborg, le 13 janvier 2016



Joakim Ed

Directeur général R&D

Construction Equipment Husqvarna AB

(Représentant autorisé d'Husqvarna AB et responsable de la documentation technique.)

# VERKLARING VAN DE SYMBOLEN

## Versie van gebruiksaanwijzing

Deze gebruiksaanwijzing is de internationale versie die wordt gebruikt voor alle Engelstalige landen buiten Noord-Amerika. Gebruik de versie voor de Verenigde Staten wanneer u in Noord-Amerika werkzaam bent.

## Symbolen op de machine

**WAARSCHUWING!** Wanneer de machine onjuist of slordig wordt gebruikt, kan het een gevaarlijk gereedschap zijn, dat ernstig letsel of overlijden van de gebruiker of anderen kan veroorzaken. Neem de gebruiksaanwijzing grondig door en gebruik de machine niet voor u alles duidelijk heeft begrepen.

Draag altijd persoonlijke veiligheidsuitrusting. Zie instructies in het hoofdstuk "Persoonlijke veiligheidsuitrusting".

Dit product voldoet aan de geldende CE-richtlijnen.

**WAARSCHUWING!** Bij het zagen treedt stofvorming op, die schadelijk kan zijn bij inademing. Gebruik een goedgekeurd stofmasker. Probeer geen benzinedampen en uitlaatgassen in te ademen. Zorg voor goede ventilatie.

**WAARSCHUWING!** Een terugslag kan plotseling, snel en krachtig zijn en kan levensbedreigend letsel veroorzaken. Lees de gebruiksaanwijzing aandachtig door en gebruik de machine niet voordat u de instructies goed hebt begrepen.

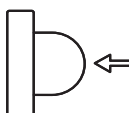
**WAARSCHUWING!** Vonken geproduceerd tijdens het zagen/slijpen kunnen brand veroorzaken in brandbare materialen zoals: benzine, hout, kleding, droog gras etc.

Zorg ervoor dat de slijpschijven vrij van barsten en andere beschadigingen zijn.

Gebruik geen cirkelzaagbladen

Choke.

Brandstofpomp



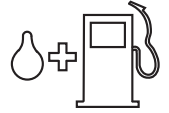
Decompressieklep



Starthendel



Benzine-oliemengsel bijvullen



Sticker startinstructie Zie instructies onder de kop Starten en stoppen.



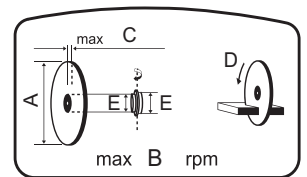
Sticker snijuitrusting

A= Diameter zaagblad  
B= Maximum toerental van uitgaande as

C= Max. zaagbladdikte

D= Rotatierichting blad

E= Lagerafmeting



Geluidsemisatie naar de omgeving volgens de richtlijnen van de Europese Gemeenschap. De emissie van de machine wordt aangegeven in het hoofdstuk Technische gegevens en op plaatjes.



**Overige op de machine aangegeven symbolen/ plaatjes verwijzen naar specifieke eisen aan certificering op bepaalde markten.**



**WAARSCHUWING!** De EU-typegoedkeuring van dit product vervalt als ongeoorloofde wijzigingen aan de motor aangebracht worden.

## Toelichting op de waarschuwingsniveaus

De waarschuwingen zijn onderverdeeld in drie niveaus.

### WAARSCHUWING!



**WAARSCHUWING!** Duidt op een gevaarlijke situatie die, wanneer hij niet wordt vermeden, zal leiden tot ernstig of zelfs dodelijk letsel

### VOORZICHTIG!



**VOORZICHTIG!** Duidt op een gevaarlijke situatie die, wanneer hij niet wordt vermeden, kan leiden tot licht of middelzwaar letsel

### LET OP!

**LET OP!** Wordt gebruikt om handelingen aan te duiden die geen betrekking hebben op persoonlijk letsel.

# INHOUD

## Inhoud

### VERKLARING VAN DE SYMBOLEN

Versie van gebruiksaanwijzing .....	68
Symbolen op de machine .....	68
Toelichting op de waarschuwingsniveaus .....	68

### INHOUD

Inhoud .....	69
--------------	----

### PRESENTATIE

Beste klant! .....	70
Ontwerp en eigenschappen .....	70

### PRESENTATIE

Beschrijving van de slijpmachine - K970 III? .....	72
--	----

### PRESENTATIE

Beschrijving van de slijpmachine - K970 III Rescue? .....	73
--	----

### VEILIGHEIDSUITRUSTING VOOR DE MACHINE

Algemeen .....	74
----------------	----

### ZAAGBLADEN

Algemeen .....	76
Droogslijpschijven .....	77
Diamantzagen .....	77
Getande bladen, hardmetalen bladen en noodsituaties .....	78
Transport en opbergen .....	78

### MONTAGE EN AFSTELLINGEN

Algemeen .....	79
Controleren van de spilassen en de flensringen .....	79
De lagerbus controleren .....	79
De rotatierichting van het blad controleren .....	79
Zaagblad monteren .....	79
Beschermkap van het zaagblad .....	79
Omkeerbare zaagkop .....	80

### BRANDSTOFHANTERING

Algemeen .....	82
Brandstof .....	82
Tanken .....	83
Transport en opbergen .....	83

### BEDIENING

Veiligheidsuitrusting .....	84
Algemene veiligheidsinstructies .....	84
Transport en opbergen .....	89

### STARTEN EN STOPPEN

Voor de start .....	90
Starten .....	90
Stoppen .....	92

### ONDERHOUD

Algemeen .....	93
Onderhoudsschema .....	93
Schoonmaken .....	93
Functionele inspectie .....	94

### OPSPOREN VAN STORINGEN

Storingsschema .....	98
----------------------	----

### TECHNISCHE GEGEVENS

Technische gegevens .....	99
Aanbevolen diamantzaag-/slijpblad, specificatie ..	100
EG-verklaring van overeenstemming .....	100

# PRESENTATIE

## Beste klant!

Hartelijk dank dat u voor een Husqvarna-product hebt gekozen!

Wij hopen dat u tevreden zult zijn met uw machine en dat deze u gedurende lange tijd zal vergezellen. Met de aankoop van een van onze producten krijgt u de beschikking over professionele hulp voor reparaties en service. Als u uw machine niet hebt gekocht bij één van onze erkende dealers, vraag hen dan waar de dichtstbijzijnde erkende werkplaats is.

Deze gebruiksaanwijzing is een waardevol document. Zorg dat u hem altijd bij de hand hebt op de werkplek. Door de inhoud (gebruik, service, onderhoud enz.) te volgen kunt u de levensduur van uw machine én de tweedehands waarde aanzienlijk verlengen. Mocht u uw machine verkopen moet u ervoor zorgen de gebruiksaanwijzing aan de nieuwe eigenaar over te dragen.

## Meer dan 300 jaar innovatie

Husqvarna AB is een Zweeds bedrijf met een geschiedenis die teruggaat tot 1689, toen de Zweedse koning Karl XI een fabriek liet bouwen voor de productie van musketten. Op dat moment was de basis al gelegd voor de constructievaardigheden die ten grondslag liggen aan de ontwikkeling van een aantal producten die wereldwijd toonaangevend zijn, zoals jachtwapens, fietsen, motorfietsen, huishoudelijke apparatuur, naaimachines en buitenproducten.

Husqvarna is wereldleider op het gebied van elektrische buitenproducten voor bosbouw, park-, gazon- en tuinonderhoud, alsmede zaagapparatuur en diamantgereedschap voor de bouw- en steenindustrie.

## Verantwoordelijkheid van eigenaar

Het is de verantwoordelijkheid van de eigenaar/gebruiker om ervoor te zorgen dat de gebruiker voldoende weet over een veilig gebruik van de machine. Leidinggevenden en gebruikers moeten de gebruiksaanwijzing hebben gelezen en begrepen. Ze moeten op de hoogte zijn van:

- De veiligheidsinstructies voor de machine.
- De mogelijke toepassingen en de beperkingen van de machine.
- De manier waarop de machine moet worden gebruikt en onderhouden.

Mogelijk zijn er nationale wettelijke voorschriften van toepassing op het gebruik van deze machine. Onderzoek welke wetgeving van toepassing is op de plaats waar u werkt voordat u de machine in gebruik neemt.

## Specifieke bepalingen van de fabrikant.

Na publicatie van deze gebruiksaanwijzing verstrekt Husqvarna mogelijk aanvullende informatie voor veilig gebruik van dit product. Het is de verantwoordelijkheid van de eigenaar om op de hoogte blijven van de veiligste gebruiksmethoden.

Husqvarna AB werkt voortdurend aan het verder ontwikkelen van haar producten en houdt zich dan ook

het recht voor om zonder aankondiging vooraf wijzigingen in o.a. vorm en uiterlijk door te voeren.

Voor meer informatie en assistentie kunt u contact opnemen via onze website: [www.husqvarna.com](http://www.husqvarna.com)

## Ontwerp en eigenschappen

Dit is een draagbare doorslijpmachine met hoog toerental, die is bedoeld voor het doorslijpen van harde materialen, zoals metselwerk of staal, en niet mag worden gebruikt voor doeleinden die niet zijn beschreven in deze gebruiksaanwijzing. Voor een veilig gebruik van dit product dient de gebruiker deze gebruiksaanwijzing grondig te lezen. Neem contact op met uw dealer of Husqvarna wanneer u meer informatie nodig hebt.

Hieronder worden enkele unieke kenmerken van uw product beschreven.

### Active Air Filtration™

Centrifugale luchtreiniging voor een langere levensduur en langere onderhoudsintervallen.

### SmartCarb™

Ingebouwde automatische filtercompensatie zorgt voor handhaving van een hoog vermogen en verlaagt het brandstofverbruik.

### Dura Starter™

Dankzij de stofdichte starterunit, waarbij de retourveer en het poelielager zijn afgedicht, is de starter praktisch onderhoudsvrij en nog betrouwbaarder.

### X-Torq®

De X-Torq®-motor biedt een beter toegankelijk moment voor grotere toerentalbereiken, wat resulteert in een optimaal zaagvermogen. X-Torq® verlaagt het brandstofverbruik met maximaal 20% en de uitstoot met maximaal 60%.

### EasyStart

De motor en starter zijn ontworpen om de machine snel en eenvoudig te kunnen starten. Verlaagt de trekweerstand in het starterkoord met maximaal 40%. (Verlaagt de compressie tijdens het starten.)

### Brandstofpomp

Als u op de rubberen balg van de brandstofpomp drukt, wordt brandstof door de carburateur gepompt. Er hoeft minder vaak te worden getrokken om te starten, hetgeen betekent dat de machine gemakkelijker gestart kan worden.

### Waterkoeling en stofonderdrukking

Minder slib en laag verbruik

Uitstekende stofbeheersing met een set voor natzagen. Een progressieve waterklep maakt een nauwkeurige afstelling van het watervolume mogelijk om het stof effectief te binden en de hoeveelheid slib te verminderen.

## **Efficiënt trillingdempingssysteem**

Lagere belasting van armen en handen dankzij efficiënte trillingsdempers.

## **Omkeerbare zaagkop**

De machine is uitgerust met een omkeerbare zaagkop die het mogelijk maakt om dicht langs een muur of langs de grond te zagen. De dikte van de bladbeschermkap vormt de enige belemmering.

## **Smart Tension**

Een semi-automatische riemspanner met een veerbelast mechanisme voor een eenvoudige afstelling van de riemspanning. Het is ook erg eenvoudig om de aandrijfriem te vervangen en de slijpkop om te keren.

## **Speciaal ontworpen starthendel (K970 III Rescue)**

Speciaal ontworpen starthendel, met ruimte voor zware handschoenen.

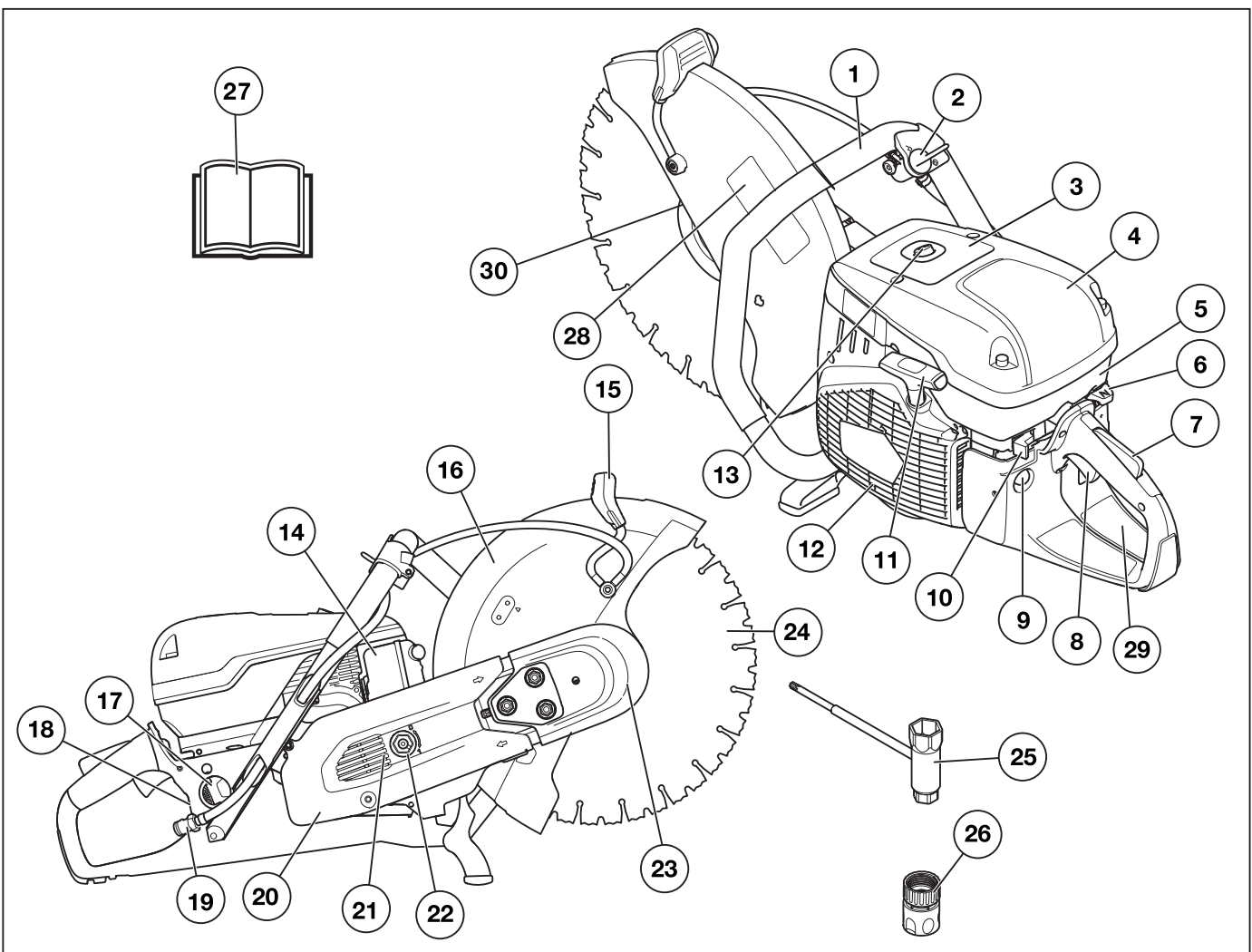
## **Heavy Duty-draagriem (K970 III Rescue)**

Voorzien van stevige haken aan beide uiteinden. De riem is eenvoudig te verwijderen, bevestigen en af te stellen, zelfs met handschoenen aan. Dankzij de riem is de machine eenvoudig te dragen.

## **Reflecterende bladbeschermkap (K970 III Rescue)**

Een reflecterende bladbeschermkap, die zichtbaar is in rook en waternevel, zorgt voor een betere bediening van de doorslijpmachine.

# PRESENTATIE

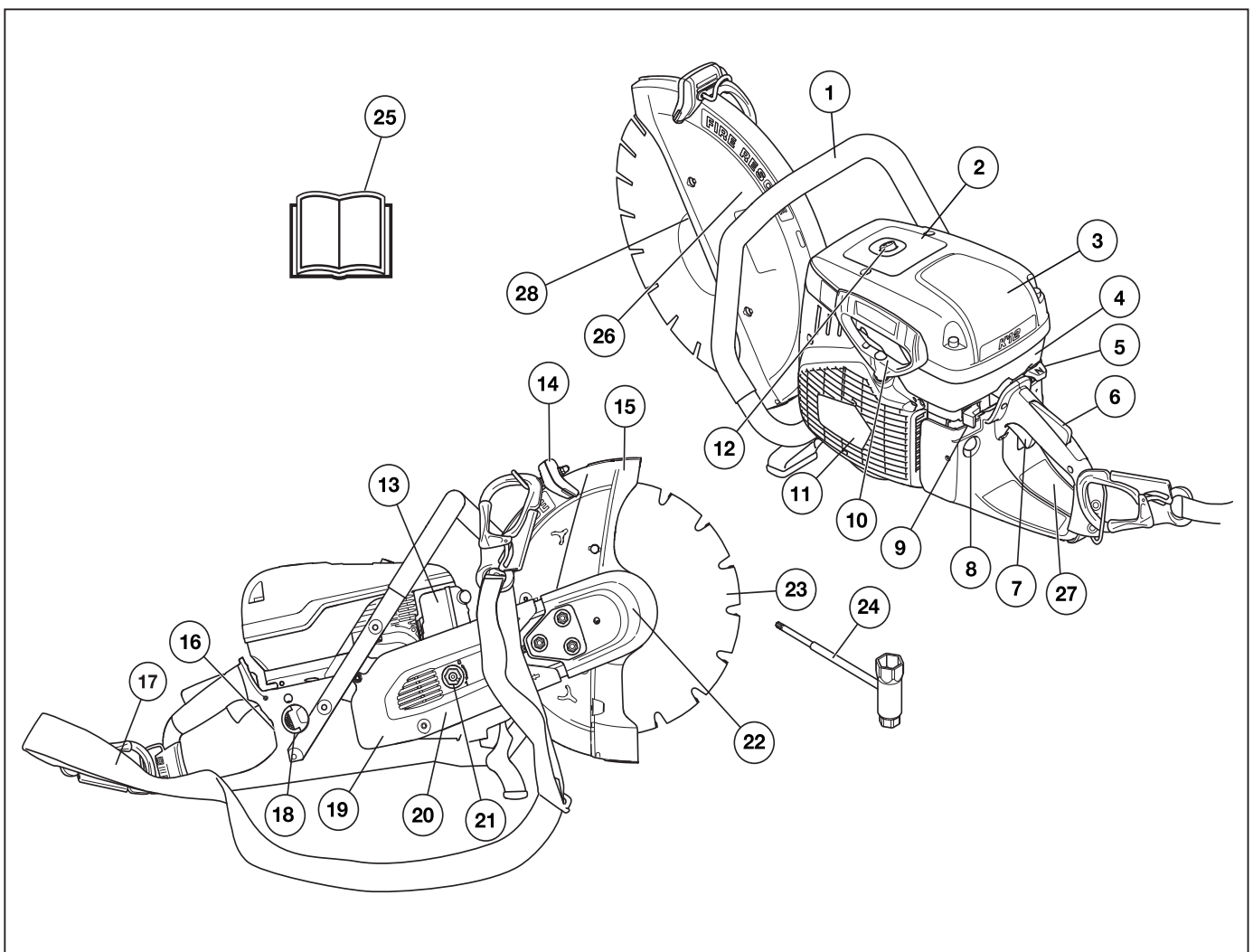


## Beschrijving van de slijpmachine - K970 III?

- |   |  |
|---|--|
| 1 Voorste handvat                       | 16 Beschermkap van het zaagblad  |
| 2 Waterkraan                            | 17 Tankdop   |
| 3 Waarschuwingsplaatje                  | 18 Typeplaatje   |
| 4 LuchtfILTERdeksel                     | 19 WATERAANSLUITING met filter   |
| 5 Cilinderkap                           | 20 Riembescherming   |
| 6 Chokehendel met startgasvergrendeling | 21 Zaagarm   |
| 7 Gashendelvergrendeling                | 22 Riemspanner   |
| 8 Gashendel                             | 23 Slijpelement  |
| 9 Brandstofpomp                         | 24 Zaagblad (niet meegeleverd)   |
| 10 Stopschakelaar                       | 25 Combisleutel  |
| 11 Starthendel                          | 26 WATERAANSLUITING, GARDENA®  |
| 12 Starter                              | 27 Gebruiksaanwijzing  |
| 13 Decompressieklep                     | 28 Sticker snijuitrusting  |
| 14 Geluiddemper                         | 29 Sticker startinstructie   |
| 15 Afstelhandgreep voor bescherming     | 30 Flens, spil, bus (zie instructies in het hoofdstuk 'Montage en afstellingen') |



# PRESENTATIE



## Beschrijving van de slijpmachine - K970 III Rescue?

- |   |  |
|---|--|
| 1 Voorste handvat                       | 15 Beschermkap van het zaagblad  |
| 2 Waarschuwingsplaatje                  | 16 Typeplaatje   |
| 3 Luchtfilterdeksel                     | 17 Draagstel   |
| 4 Cilinderkap                           | 18 Tankdop   |
| 5 Chokehendel met startgasvergrendeling | 19 Riembescherming   |
| 6 Gashendelvergrendeling                | 20 Zaagarm   |
| 7 Gashendel                             | 21 Riemspanner   |
| 8 Brandstofpomp                         | 22 Slijpelement  |
| 9 Stopschakelaar                        | 23 Zaagblad (niet meegeleverd)   |
| 10 Starthendel                          | 24 Combisleutel  |
| 11 Starter                              | 25 Gebruiksaanwijzing  |
| 12 Decompressieklep                     | 26 Sticker snijuitrusting  |
| 13 Geluiddemper                         | 27 Sticker startinstructie   |
| 14 Afstelhandgreep voor bescherming     | 28 Flens, spil, bus (zie instructies in het hoofdstuk 'Montage en afstellingen') |

# VEILIGHEIDSUITRUSTING VOOR DE MACHINE

## Algemeen



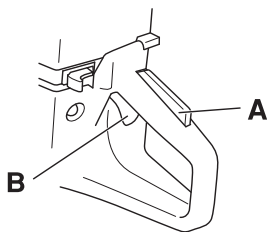
**WAARSCHUWING!** Gebruik nooit een machine als de veiligheidsonderdelen kapot zijn. Als uw machine niet door alle controles komt, moet u ermee naar uw servicewerkplaats voor reparatie.

Zorg dat de motor is uitgeschakeld en dat de stopschakelaar in de STOP-stand staat.

In dit hoofdstuk wordt verklaard wat de veiligheidsonderdelen van de machine zijn, welke functie ze hebben en hoe de controle en het onderhoud moeten uitgevoerd worden om hun goede werking veilig te stellen.

## Gashendelvergrendeling

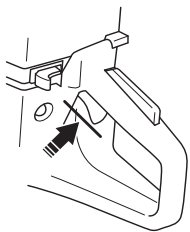
De gashendelvergrendeling is geconstrueerd om onbedoeld activeren van de gashendel te voorkomen. Wanneer de vergrendeling (A) wordt ingedrukt, komt de gashendel (B) vrij.



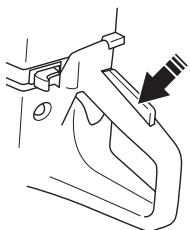
De vergrendeling blijft ingedrukt zolang de gashendel is ingedrukt. Wanneer men het handvat loslaat, gaan zowel de gashendel als de gashendelvergrendeling naar hun respectievelijke beginposities. Dit gebeurt via twee van elkaar onafhankelijke retourveersystemen. Deze positie houdt in dat de gashendel automatisch vergrendeld wordt op stationair draaien.

### De gashendelvergrendeling controleren

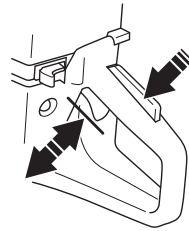
- Controleer of de gashendel vergrendeld is in de stationaire stand wanneer de gashendelvergrendeling in de oorspronkelijke stand staat.



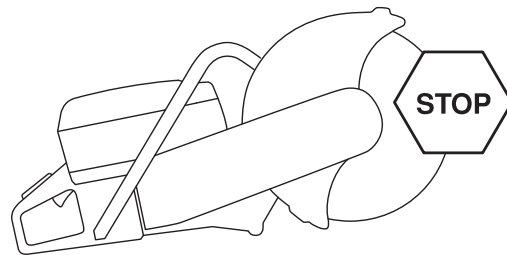
- Druk de gashendelvergrendeling in en controleer of ze teruggaat naar de oorspronkelijke positie wanneer u haar loslaat.



- Controleer of de gashendel en de gashendelvergrendeling vlot lopen en of hun terugveersystemen werken.

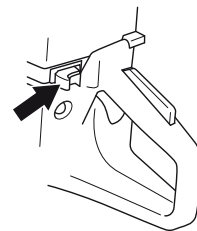


- Start de slijpmachine en geef volgas. Laat de gashendel los en controleer of het zaagblad stopt en stil blijft staan. Wanneer het zaagblad draait als de gashendel in stationair stand staat, moet u de stationair afstelling van de carburateur controleren. Zie de instructies in het hoofdstuk "Onderhoud".



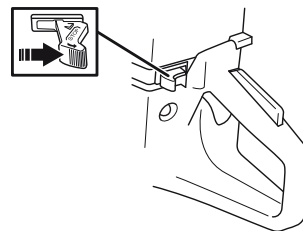
## Stopschakelaar

De stopschakelaar moet gebruikt worden om de motor uit te schakelen.



### De stopschakelaar controleren

- Start de motor en controleer of de motor wordt uitgeschakeld wanneer de stopschakelaar in de stopstand wordt gezet.



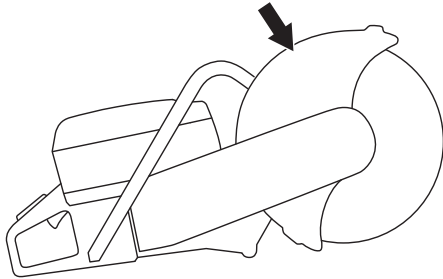
# VEILIGHEIDSUITRUSTING VOOR DE MACHINE

## Beschermkap van het zaagblad



**WAARSCHUWING!** Controleer altijd of de beschermkap juist is aangebracht voor u de machine start.

Deze beveiliging zit boven de slijpschijf gemonteerd en is gemaakt om te voorkomen dat onderdelen van de schijf of doorgeslepen materiaal tegen de gebruiker aan komen.



### Het blad en de bladbeschermkap controleren

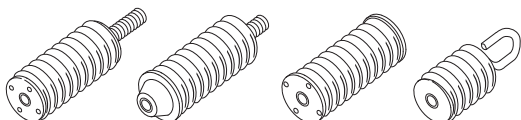
- Controleer de beschermkap over het zaagblad op barsten of andere beschadigingen. Vervang de kap wanneer hij beschadigd is.
- Controleer altijd of het zaagblad correct gemonteerd is en geen gebreken vertoont. Een beschadigd zaagblad kan persoonlijke ongelukken veroorzaken.

## Trillingdempingssysteem



**WAARSCHUWING!** Als men teveel wordt blootgesteld aan trillingen, kan dit tot bloedvat- en zenuwbeschadigingen leiden bij personen die een slechte bloedcirculatie hebben. Consulteer uw dokter wanneer u symptomen heeft die wijzen op te grote blootstelling aan trillingen. Voorbeelden van zulke symptomen zijn slapen, geen gevoel, "kriebels", "speldeprikken", pijn, geen of minder kracht, huidverkleuringen of veranderingen van het huidoppervlak. Deze symptomen komen meestel voor op vingers, handen of polsen. Deze symptomen kunnen toenemen bij koude temperaturen.

- Uw machine is uitgerust met een trillingdempingssysteem dat geconstrueerd is om zo trillingvrij en comfortabel mogelijk met de zaag te kunnen werken.
- Het trillingdempingssysteem van de machine reduceert het overbrengen van de trillingen van de motoreenheid/snijuitrusting op de handvateenheid van de machine. Het motorlichaam, inclusief de zaaguitrusting, hangt met zog. trillingdempingselementen in de handvateenheid.



## Het trillingdempingssysteem controleren



**WAARSCHUWING!** Zorg dat de motor is uitgeschakeld en dat de stopschakelaar in de STOP-stand staat.

- Controleer de trillingdempingselementen regelmatig op materiaalbarsten en vervormingen. Vervang ze als ze beschadigd zijn.
- Controleer of de trillingdempingselementen vast verankerd zijn tussen de motoreenheid en de handvateenheid.

## Geluidemper

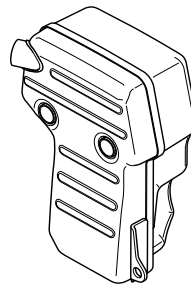


**WAARSCHUWING!** Gebruik de machine nooit zonder geluidemper of met een defecte geluidemper. Door een kapotte geluidemper kunnen het geluidsniveau en het risico van brand aanzienlijk toenemen. Hou gereedschap voor brandblussen bij de hand.

De geluidemper wordt zeer heet tijdens en na gebruik, ook bij stationair toerental. Houd rekening met brandgevaar, met name wanneer u in de omgeving van brandbare materialen en/of dampen werkt.

Houd gereedschap voor brandblussen bij de hand.

De geluidemper werd ontworpen om het geluidsniveau zo laag mogelijk te houden, en om de uitlaatgassen weg te richten van de gebruiker.



### Controle van geluidemper

Controleer regelmatig of de geluidemper heel is en of deze goed vast zit.

# ZAAGBLADEN

## Algemeen



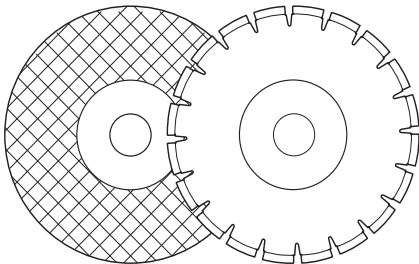
**WAARSCHUWING!** Een zaagblad kan kapot gaan en ernstig persoonlijk letsel bij de gebruiker veroorzaken.

De fabrikant van het zaagblad verstrekt waarschuwingen en doet aanbevelingen voor het gebruik en de juiste verzorging van het zaagblad. Deze waarschuwingen worden met het zaagblad meegeleverd. Lees alle instructies van de fabrikant van het zaagblad en volg deze op.

Een zaagblad moet voordat het op de machine wordt gemonteerd, en vervolgens ook regelmatig tijdens het gebruik, worden gecontroleerd. Let op barsten, ontbrekende segmenten (diamantzaagbladen) of afgebroken stukjes. Gebruik nooit een beschadigd zaagblad.

Controleer bij ieder nieuw zaagblad of het in goede staat verkeert door het ongeveer 1 minuut lang met vol gas te laten draaien.

- Zaagbladen zijn verkrijgbaar in twee basisuitvoeringen: slijpschijven en diamantzagen.



- Zaagbladen van hoge kwaliteit zijn meestal de meest voordelige. Zaagbladen van mindere kwaliteit hebben vaak een slechter zaagvermogen en kortere levensduur, wat leidt tot hogere kosten in verhouding tot de hoeveelheid materiaal die is verwerkt.
- Let op dat de juiste bus wordt gebruikt voor het zaagblad op de machine. Zie de instructies in het hoofdstuk Zaagblad monteren

## Geschikte slijpschijven

Slijpschijven	K970 III	K970 III Rescue
Droogslijpschijven	Ja*	Ja*
Diamantzagen	Ja	Ja
Getande bladen	Niet gebruiken	Ja**

Zie de sectie "Technische gegevens" voor meer informatie.

\*Zonder water

\*\*Zie de instructies in het hoofdstuk "Getande bladen, hardmetalen bladen en noodsituaties".

## Slijpschijven voor verschillende materialen



**WAARSCHUWING!** Gebruik een doorslijpmachine nooit voor ander materiaal dan waarvoor hij is bedoeld.

Gebruik nooit een diamantzaagblad om kunststofmateriaal door te slijpen. Door de hitte die tijdens het zagen wordt geproduceerd, kan de kunststof gaan smelten en aan het zaagblad blijven kleven. Dit kan een terugslag veroorzaken.

Bij het zagen in metaal komen vonken vrij die brand kunnen veroorzaken. Gebruik de machine niet in de buurt van ontvlambare stoffen of gassen.

Volg de bij het zaagblad geleverde instructies over de geschiktheid van het zaagblad voor diverse toepassingen. Neem in geval van twijfel contact op met uw dealer.

	Beton	Metaal	Kunststof	Gietijzer
Droogslijpschijven	X	X	X	X
Diamantzagen	X	X*		X*

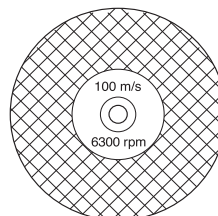
\* Uitsluitend speciale zaagbladen.

## Handmachines met hoge snelheid



**WAARSCHUWING!** Gebruik nooit een slijpschijf met een lagere toerenaanduiding dan die van de doorslijpmachine. Gebruik uitsluitend zaagbladen die zijn bedoeld voor draagbare doorslijpmachines met hoge toerentallen.

- Veel zaagbladen die ogenschijnlijk op deze doorslijpmachine passen, zijn bedoeld voor stationaire zagen en hebben een lager nominaal toerental dan voor deze draagbare machine nodig is. Zaagbladen met een lager nominaal toerental mogen nooit in combinatie met deze machine worden gebruikt.
- Zaagbladen van Husqvarna zijn gemaakt voor draagbare doorslijpmachines met hoog toerental
- De slijpschijf moet gemerkt zijn met hetzelfde of een hoger toerental dan op het typeplaatje van de machine is aangegeven. Gebruik nooit een slijpschijf met een lagere toerenaanduiding dan die van de doorslijpmachine.



# ZAAGBLADEN

## Vibratie in de zaagbladen

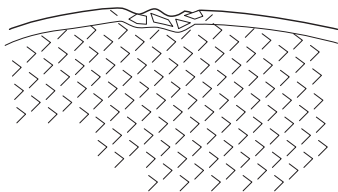
- Het zaagblad kan zijn rondheid verliezen en trillen wanneer te veel invoerdruk wordt gebruikt.
- Een lagere invoerdruk kan het trillen opheffen. Vervang anders het zaagblad.

## Droogslijpschijven

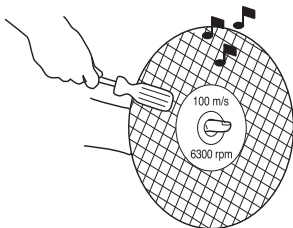


**WAARSCHUWING!** Gebruik droogslijpschijven niet in combinatie met water. De sterkte van droogslijpschijven neemt af als ze worden blootgesteld aan vocht, waardoor het risico op breken groter wordt.

- Het snijdende materiaal in droogslijpschijven bestaat uit schuurkorrels die met organische bindmiddelen zijn samen gevoegd. "Versterkte slijpschijven" zijn opgebouwd op een textiel- en fiberbasis, waardoor voorkomen wordt dat deze schijven door scheuren of beschadigingen bij een maximum toerental tijdens het werken volledig uit elkaar springen.
- De prestaties van een slijpschijf worden bepaald door het type en de grootte van de slijpdeeltjes, alsmede door het type en de hardheid van het bindmiddel.
- Controleer of het zaagblad is gebarsten of anderszins beschadigd.



- Test de droogslijpschijf door deze op een vinger te hangen en er zacht met een schroevendraaiersteel of iets dergelijks op te slaan. Wanneer de schijf geen vol, rinkelend geluid laat horen, is ze beschadigd.



## Droogslijpschijven voor verschillende materialen

Soort zaagblad	Materiaal
Betonslijpschijf	Beton, asfalt, stenen metselwerk, gietijzer, aluminium, koper, messing, kabels, rubber, plastic etc.
Metaalslijpschijf	Staal, staallegingen en andere harde metalen.

## Diamantzagen

### Algemeen

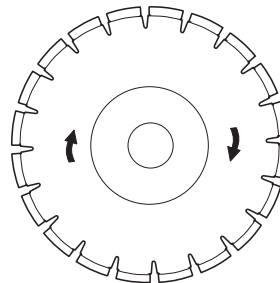


**WAARSCHUWING!** Gebruik nooit een diamantzaagblad om kunststofmateriaal door te slijpen. Door de hitte die tijdens het zagen wordt geproduceerd, kan de kunststof gaan smelten en aan het zaagblad blijven kleven. Dit kan een terugslag veroorzaken.

Diamantslijpschijven worden zeer heet tijdens het gebruik. Een oververhit zaagblad is het gevolg van een onjuist gebruik en kan vervorming van de schijf veroorzaken, wat weer kan leiden tot schade en letsel.

Bij het zagen in metaal komen vonken vrij die brand kunnen veroorzaken. Gebruik de machine niet in de buurt van ontvlambare stoffen of gassen.

- Diamantzaagbladen hebben een stalen blad voorzien van segmenten die industriële diamanten bevatten.
- Diamantzaagbladen zorgen voor lagere kosten per zaagoperatie, minder zaagbladvervangingen en een constante zaagdiepte.
- Let bij het gebruik van een diamantzaag op, dat deze in de richting van de pijl op het blad draait.



## Diamantzagen voor verschillende materialen

- Diamantzagen bieden vooral voordelen bij metselwerk, gewapend beton en andere samengestelde materialen.
- Diamantzaagbladen zijn verkrijgbaar in een aantal hardheidsgradaties.
- Voor het zagen van metaal moeten speciale zaagbladen worden gebruikt. Vraag uw leverancier om advies bij het kiezen van het juiste product.

## Scherpen van diamantzagen.

- Gebruik altijd een scherpe diamantzaag.
- Diamantzagen kunnen bot worden bij een verkeerde voedingsdruk of het zagen van bepaalde materialen, zoals zwaar gewapend beton. Werken met een bot diamantzaagblad leidt tot oververhitting wat ertoe kan leiden dat diamantsegmenten losraken.
- Scherp het zaagblad door in zacht materiaal zoals zandsteen of baksteen te zagen.

## Diamantzaagbladen en koeling

- Tijdens het slijpen kan de frictie en de snede ervoor zorgen dat het diamantzaagblad heet wordt. Wanneer het blad niet te heet mag worden, kan hierdoor de bladspanning afnemen of de kern gaan scheuren.

## Diamantzaagbladen voor droogzagen

- Er is geen water nodig voor afkoeling, maar droogzaagbladen moeten worden gekoeld met luchtstroom rondom de bladen. Daarom worden droogzaagbladen alleen aanbevolen voor slijpwerkzaamheden met tussenpozen. Telkens na enkele seconden slijpen moet het blad 'vrij en onbelast draaien zodat de lucht rondom het blad kan stromen om de hitte af te voeren.

## Diamantzaagbladen voor natzagen

- Diamantzaagbladen voor natzagen moeten worden gebruikt met water om de bladkern en segmenten koel te houden tijdens het slijpen.
- Bladen voor natzagen mogen NOOIT droog worden gebruikt.
- Het gebruik van bladen voor natzagen zonder water kan leiden tot oververhitting, wat slechte prestaties, ernstige schade aan het blad en gevaar tot gevolg kan hebben.
- Water koelt het zaagblad en vergroot de levensduur daarvan en vermindert stofvorming.

## Getande bladen, hardmetalen bladen en noodsituaties

Speciale hardmetalen bladen zijn uitsluitend bedoeld voor gebruik bij reddingsoperaties door getraind personeel.

## Transport en opbergen

- Bewaar of vervoer de doorslijpmachine niet met een gemonteerde slijpschijf. Controleer regelmatig of de geluiddemper vast op het motorhuis zit. Alle zaagbladen dienen na gebruik van de doorslijpmachine gedemonteerd en zorgvuldig opgeslagen te worden.
- Bewaar de slijpschijf droog en vorstvrij. Bijzondere voorzichtigheid moet in acht genomen worden met droogslijpschijven. De droogslijpschijven moeten bewaard worden op een vlak, horizontaal oppervlak. Als u een droogslijpschijf vochtig bewaart kan dit onbalans veroorzaken met letsel tot gevolg.
- Controleer nieuwe zaagbladen op transport- of opslagschade.

# MONTAGE EN AFSTELLINGEN

## Algemeen



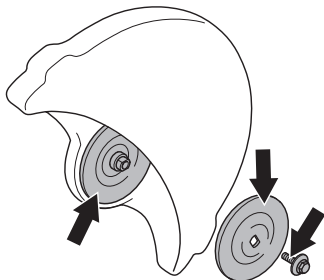
**WAARSCHUWING!** Zorg dat de motor is uitgeschakeld en dat de stopschakelaar in de STOP-stand staat.

Bladen van Husqvarna zijn bedoeld voor hoge toerentallen en goedgekeurd voor draagbare doorslijpmachines.

## Controleren van de spilassen en de flensringen

Als het blad wordt vervangen door een nieuw exemplaar, controleer dan de flensringen en de spilassen.

- Controleer of de schroefdraad op de spilassen onbeschadigd is.
- Controleer of de contactvlakken op het blad en de flensringen onbeschadigd, van het juiste formaat en schoon zijn en of ze goed op de spilassen lopen.



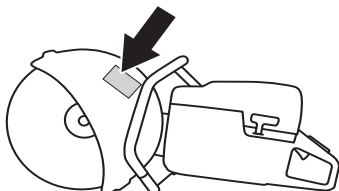
Gebruik alleen flensringen die worden geleverd door Husqvarna, min. diameter 105 mm/4,1".

Gebruik geen scheve, afgebroken, kapotte of vieze flensringen. Gebruik geen flensringen met verschillende afmetingen.

## De lagerbus controleren

De spilbussen worden gebruikt om de machine passend te maken voor het middengat in het zaagblad.

De machine wordt geleverd met een lagerbus die kan worden omgedraaid voor maat 20 mm of 1 inch (25,4 mm). Een plaatje op de bladbeschermkap geeft de juiste bladspecificatie aan.

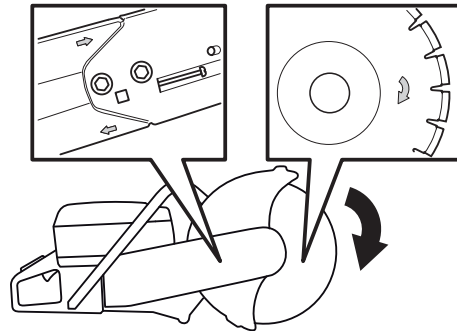


- Controleer of de lagerbus op de spilassen geschikt is voor het middengat van het zaagblad. De zaagbladen zijn gemerkt met de diameter van het middengat.

Gebruik uitsluitend lagerbussen die worden geleverd door Husqvarna. Deze lagerbussen zijn speciaal gemaakt voor uw doorslijpmachine.

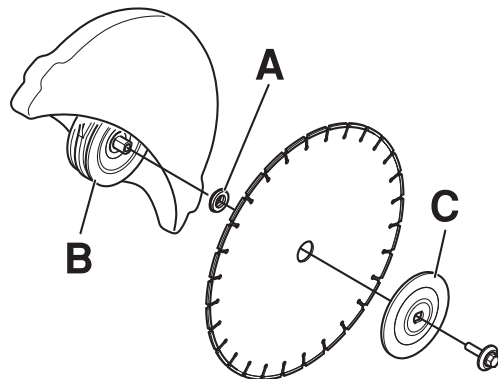
## De rotatierichting van het blad controleren

- Let bij het gebruik van een diamantzaag op, dat deze in de richting van de pijl op het blad draait. De rotatierichting voor de machine wordt aangegeven met pijlen op de zaagarm.

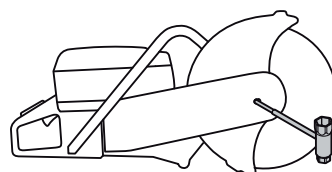


## Zaagblad monteren

- Het blad wordt op de bus (A) gezet tussen de binnenste flensring (B) en de flensring (C). Draai de flensring rond, totdat deze op de as past.



- Vergrendel de steel. Steek een stuk gereedschap in het gat in het zaagblad en draai het blad tot dit is vergrendeld.



- De bout, waarmee het zaagblad wordt vastgeklemd, moet aangedraaid worden met een moment van 25 Nm.

## Beschermkap van het zaagblad

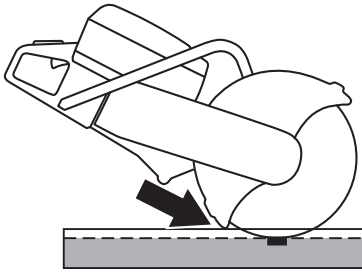
De beschermkap voor de zaaguitrusting moet zo zijn ingesteld dat de achterkant tegen het werkstuk steunt. Spatten en vonken van het doorgezaagde materiaal worden dan door de beschermkap opgevangen en van de gebruiker weggeleid.

De bladbeschermkap wordt door frictie vergrendeld.

- Druk de uiteinden van de beschermkap tegen het werkstuk of stel de beschermkap af met de

# MONTAGE EN AFSTELLINGEN

afstelhendel. De beschermkap moet altijd op de machine zijn gemonteerd.



## Omkeerbare zaagkop

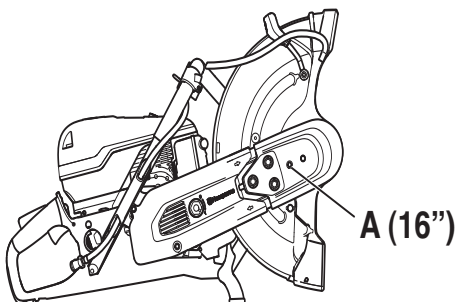
De machine is uitgerust met een omkeerbare zaagkop die het mogelijk maakt om dicht langs een muur of langs de grond te zagen. De dikte van de bladbeschermkap vormt de enige belemmering.

In het geval van terugslag is het moeilijker de machine onder controle te houden wanneer met omgekeerde slijpkop wordt gewerkt. Het zaagblad is verder verwijderd van het centrum van de machine, waardoor de hendel en het zaagblad niet meer in één lijn staan. Het is lastiger om de machine onder controle te houden wanneer het blad vastslaat of vast blijft zitten in de terugslagrisicozone. Zie de sectie "Terugslag" in het hoofdstuk "Bediening" voor meer informatie.

Sommige goede ergonomische eigenschappen van de machine, zoals balans, worden hierdoor tenietgedaan. Zagen met een omgekeerd zaagblad moet enkel worden toegepast voor zaagsneden die op de normale wijze niet mogelijk zijn.

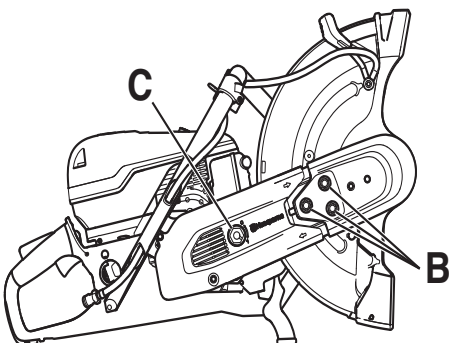
### Alleen van toepassing op 16"

- Draai de extra schroef (A) los waarmee de bovenste riembescherming is bevestigd.

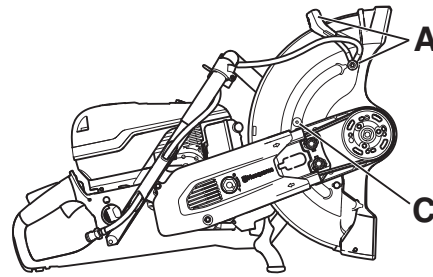


### Van toepassing op 14" en 16"

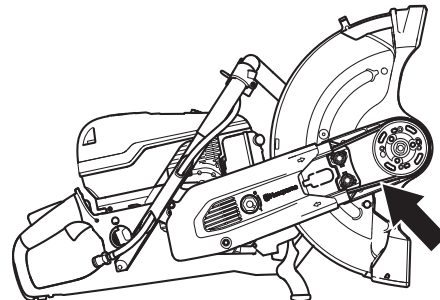
- Draai de drie moeren (B) los waarmee de bovenste riembescherming is bevestigd. Zet de riemspanner (C) in positie '0' om de spanning af te laten.



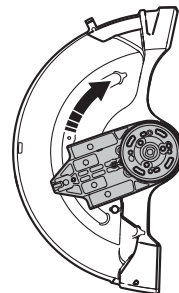
- Verwijder de bovenste riembescherming.
- Koppel de waterslang en handgreep los van de bladbeschermkap (A). Verwijder de eindaanslag (C).



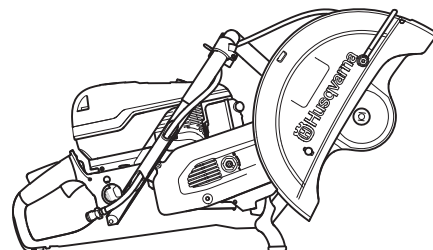
- Het zaagelement is nu los en kan van de motor worden gehaald. Haal de riem van de poelie.



- Draai het lagerhuis in tegengestelde richting en monteer de eindaanslag.



- Bevestig de slijpkop aan de andere zijde van de slijparm.

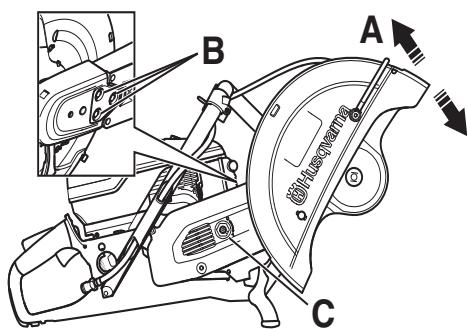


- Zet de riemspanner (C) in positie '1' om de aandrijfriem te spannen.
- Breng de riembescherming aan op het omgekeerde zaagblad.
- Om de aandrijfriem op de juiste spanning te brengen, zet u eerst de moeren (B) vast en draait u deze vervolgens 1-2 slagen terug. Beweeg de



## MONTAGE EN AFSTELLINGEN

bladbeschermkap (A) 3-5 keer omhoog en omlaag en haal de moeren (B) aan met de combisleutel.



### Alleen van toepassing op 16"

- Draai de extra schroef vast.
- Monteer de waterslangnippel en de slang aan de tegenoverliggende bovenzijde van de bladbeschermkap.

# BRANDSTOFHANTERING

## Algemeen



**WAARSCHUWING!** Een motor laten lopen in een afgesloten of slecht geventileerde ruimte kan dodelijke ongelukken veroorzaken door verstikking of koolmonoxidevergiftiging. Gebruik ventilatoren om te zorgen voor een goede luchtcirculatie bij het werken in sleuven en greppels met een diepte van meer dan één meter.

Brandstof en brandstofdampen zijn brandgevaarlijk en kunnen leiden tot ernstig letsel bij inademing en contact met de huid. Wees daarom voorzichtig wanneer u met brandstof werkt en zorg voor goede luchtventilatie bij de brandstofhantering.

De uitlaatgassen van de motor zijn heet en kunnen vonken bevatten die brand kunnen veroorzaken. Start de machine daarom nooit binnenshuis of in de buurt van licht ontvlambaar materiaal!

Rook niet en plaats ook geen warm voorwerp in de buurt van de brandstof.

## Brandstof

LET OP! De machine is uitgerust met een tweetaktmotor; gebruik daarom altijd een mengsel van benzine en tweetaktolie. Om zeker te zijn van de juiste mengverhouding is het erg belangrijk dat u de hoeveelheid olie altijd nauwkeurig afmeet. Bij het mengen van kleine brandstofhoeveelheden zullen zelfs kleine afwijkingen van invloed zijn op de mengverhouding.

## Benzine

- Gebruik loodvrije of gelode benzine van een hoge kwaliteit.
- Het aanbevolen laagste octaangehalte is 90 (RON). Indien u de motor laat lopen op benzine met een lager octaangehalte dan 90, kan het zogenaamde kloppen optreden. Hierdoor stijgt de motortemperatuur wat tot zware motorbeschadigingen kan leiden.
- Als men voortdurend met een hoog toerental werkt, is het aan te raden een hoger octaangehalte te gebruiken.

## Milieubrandstof

HUSQVARNA raadt het gebruik van milieuvriendelijke benzine (zogenaamde alkylaatbrandstof) aan, of Aspen voorgemengde tweetaktbenzine of milieubenzine voor viertaktmotoren gemengd met tweetaktolie, zoals hieronder beschreven. Let op dat het nodig kan zijn de

carburateur af te stellen, wanneer u van brandstoftype wisselt (zie de instructies in het hoofdstuk Carburateur).

Met ethanol gemengde brandstof, E10, kan worden gebruikt (max. 10% ethanol). Het gebruik van brandstoffen met een hoger percentage ethanol dan in E10 zal leiden tot slechte motorprestaties en kan schade aan de motor veroorzaken.

## Tweetaktolie

- Voor de beste resultaten en prestaties, moet u HUSQVARNA tweetaktolie gebruiken, die speciaal wordt gemaakt voor onze luchtgekoelde tweetaktmotoren.
- Gebruik nooit tweetaktolie die bedoeld is voor watergekoelde buitenboordmotoren, zogenaamde outboardoil (aangeduid met TCW).
- Gebruik nooit olie bedoeld voor vier-takt motoren.

## Mengen

- Meng de benzine en olie altijd in een schone jerrycan die goedgekeurd is voor benzine.
- Begin altijd met de helft van de benzine die gemengd moet worden erin te gieten. Giet er daarna de gehele oliehoeveelheid bij. Meng (schud) het brandstofmengsel. Giet er de resterende hoeveelheid benzine bij.
- Meng (schud) de brandstofhoeveelheid goed voor u de brandstoftank van de machine vult.
- Meng niet meer brandstof dan voor max. 1 maand nodig is.

## Mengverhouding

- 1:50 (2%) met HUSQVARNA tweetaktolie of overeenkomstig.

Benzine, liter	Tweetaktolie, liter
	2% (1:50)
5	0,10
10	0,20
15	0,30
20	0,40

- 1:33 (3%) met andere olie, gemaakt voor luchtgekoelde tweetaktmotoren, geclassificeerd voor JASO FB/ISO EGB of meng volgens de aanbevelingen van de fabrikant.

# BRANDSTOFHANTERING

## Tanken



**WAARSCHUWING!** Om het risico op brand te verminderen, moet u de volgende voorzorgsmaatregelen nemen:

Rook niet en plaats ook geen warm voorwerp in de buurt van de brandstof.

Stop de motor en laat hem voor het tanken enkele minuten afkoelen. Zorg dat de motor is uitgeschakeld en dat de stopschakelaar in de STOP-stand staat.

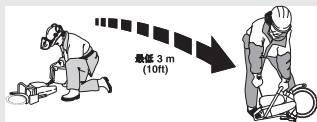
Open de dop van de tank voorzichtig wanneer u wilt tanken zodat eventuele overdruk langzaam verdwijnt.

Maak de omgeving rond de tankdop schoon.

Draai de dop van de tank goed vast na het tanken.

Als de dop niet goed is vastgedraaid, kan de dop lostrillen, waardoor er brandstof uit de brandstoftank kan ontsnappen en brandgevaar ontstaat.

Verplaats de machine ten minste 3 m van de tankplaats voor u de motor start.



Start de machine nooit:

- Indien u brandstof of motorolie op de machine hebt gemorst. Droog alles af en laat de benzineresten verdampen.
- Als u brandstof op uzelf of op uw kleding gemorst heeft, trek schone kleding aan. Was de lichaamsdelen die in contact zijn geweest met brandstof. Gebruik water en zeep.
- Als de machine brandstof lekt. Controleer de tankdop en de brandstofleidingen regelmatig op lekkage.
- Tenzij de brandstofdop goed is vastgedraaid na het bijvullen.

## Transport en opbergen

- Bewaar en vervoer de machine en brandstof zo, dat eventuele lekkage en dampen niet in contact kunnen komen met vonken of open vuur, bijvoorbeeld van elektrische machines, elektrische motoren, stopcontacten/schakelaars, verwarmingsketels e.d.
- Bij opslag en vervoer van brandstof moeten altijd speciaal voor dat doel bestemde en goedgekeurde tanks worden gebruikt.

## Opslag voor lange tijd

- Als de machine gedurende lange tijd niet gebruikt zal worden, moet de brandstoftank leeggemaakt worden. Vraag bij uw tankstation of bij de gemeente waar u de afgetapte brandstof kwijt kan.

# BEDIENING

## Veiligheidsuitrusting

### Algemeen

- Gebruik de machine nooit zonder de mogelijkheid hulp in te roepen in geval van nood.

### Persoonlijke veiligheidsuitrusting

Bij al het gebruik van de machine moet goedgekeurde persoonlijke beschermingsuitrusting gebruikt worden. Persoonlijke beschermingsuitrusting elimineert de risico's niet, maar vermindert het schadelijk effect in geval van een ongeval. Vraag uw dealer om raad wanneer u uw uitrusting koopt.



**WAARSCHUWING! Het gebruik van producten die materiaal snijden, schuren, boren, polijsten of vormen, kan stof en dampen genereren die schadelijke chemicaliën kunnen bevatten. Zoek uit hoe het materiaal waarmee u werkt is samengesteld en draag een geschikt stofmasker.**

**Langdurige blootstelling aan lawaai kan leiden tot permanente gehoorbeschadiging. Gebruik altijd goedgekeurde gehoorbescherming. Let op waarschuwingssignalen of geroep wanneer u gehoorbescherming draagt. Doe uw gehoorbescherming altijd af zodra de motor is gestopt.**

Draag altijd:

- Goedgekeurde veiligheidshelm
- Gehoorbeschermers
- Een goedgekeurde oogbescherming. Wanneer u een vizier gebruikt moet u ook een goedgekeurde veiligheidsbril gebruiken. Met een goedgekeurde veiligheidsbril wordt een bril bedoeld die voldoet aan norm ANSI Z87.1 voor de VS en EN 166 voor de EU-landen. Een vizier moet voldoen aan norm EN 1731.
- Stofmasker
- Sterke, gripvaste handschoenen.
- Nauwsluitende, sterke en prettige kleding die volledige bewegingsvrijheid toelaat. Bij het snijden komen vonken vrij, waardoor kleding kan gaan branden. Husqvarna raadt het dragen van kleding van brandvertragend katoen of dikke spijkerstof aan. Draag geen kleding die is gemaakt van materiaal als nylon, polyester of rayon. Wanneer dergelijk materiaal in aanraking komt met vuur, kan het gaan smelten en zich aan de huid hechten. Draag geen korte broek
- Laarzen met stalen neus en anti-slip zool.

## Andere beschermingsuitrusting



**VOORZICHTIG! Tijdens het werken met de machine kunnen vonken ontstaan en brand veroorzaken. Houd daarom altijd brandblusapparatuur bij de hand.**

- Brandblusser
- U moet altijd een EHBO-kit bij de hand hebben.

## Algemene veiligheidsinstructies

In dit hoofdstuk worden de basisveiligheidsregels voor het gebruik van de machine behandeld. De gegeven informatie kan nooit de kennis vervangen die een vakman via opleidingen en praktische ervaring heeft verworven.

- Neem de gebruiksaanwijzing grondig door en gebruik de machine niet voor u alles duidelijk heeft begrepen. Gebruikers die deze machine voor het eerst gebruiken, wordt aanbevolen praktische instructies te volgen alvorens de machine in gebruik te nemen.
- Denk erom dat het uw verantwoordelijkheid als gebruiker is om mensen en hun eigendommen niet bloot te stellen aan ongelukken of gevaar.
- Houd de machine schoon. Aanduidingen en stickers moeten volledig leesbaar zijn.

## Gebruik altijd uw gezond verstand

Het is niet mogelijk om elke mogelijk situatie te vermelden. Wees altijd voorzichtig en gebruik uw gezond verstand. Als u in een situatie belandt waarin u zich niet veilig voelt, dient u een expert te raadplegen. Wend u tot uw dealer, uw servicewerkplaats of een ervaren gebruiker. Onderneem geen werkzaamheden waarvoor u zich onvoldoende gekwalificeerd acht!



**WAARSCHUWING! Wanneer de machine onjuist of slordig wordt gebruikt, kan het een gevaarlijk gereedschap zijn, dat ernstig letsel of overlijden van de gebruiker of anderen kan veroorzaken.**

**Laat kinderen of andere personen die niet zijn opgeleid om met de machine om te gaan, deze nooit gebruiken of onderhouden.**

**Laat nooit een ander de machine gebruiken zonder u ervan te verzekeren dat ze de inhoud van de gebruiksaanwijzing hebben begrepen.**

**Gebruik de machine nooit als u moe bent, alcohol heeft gedronken of medicijnen heeft ingenomen, die uw gezichtsvermogen, beoordelingsvermogen of coördinatievermogen kunnen beïnvloeden.**

# BEDIENING



**WAARSCHUWING!** Niet goedgekeurde wijzigingen en/of niet-originele onderdelen kunnen tot ernstige verwondingen of het overlijden van zowel gebruiker of anderen leiden. De oorspronkelijke vormgeving van de machine mag in geen enkel geval gewijzigd worden zonder toestemming van de fabrikant.

Wijzig deze machine nooit zo dat hij niet langer overeenstemt met de originele uitvoering, en gebruik de machine niet als u denkt dat anderen hem hebben gewijzigd.

Gebruik nooit een machine die defect is. Voer de in deze handleiding beschreven veiligheidscontroles en de onderhouds- en service-instructies uit. Bepaalde onderhouds- en servicemaatregelen moeten door opgeleide en gekwalificeerde specialisten worden uitgevoerd. Zie de instructies in het hoofdstuk Onderhoud.

Men moet altijd originele onderdelen gebruiken.



**WAARSCHUWING!** Deze machine produceert tijdens bedrijf een elektromagnetisch veld. Dit veld kan onder bepaalde omstandigheden de werking van actieve of passieve medische implantaten verstoren. Om het risico op ernstig of fataal letsel te beperken, raden we personen met een medisch implantaat aan om contact op te nemen met hun arts en de fabrikant van het medische implantaat voordat ze deze machine gaan bedienen.

## Veiligheid op de werkplek



**WAARSCHUWING!** De veiligheidsafstand voor de doorslijpmachine bedraagt 15 meter. U bent verantwoordelijk dat er geen dieren en toeschouwers binnen het werkterrein zijn. Begin niet te zagen voor het werkterrein vrij is en u veilig staat.

- Houd uw omgeving in de gaten om ervoor te zorgen dat u de macht over de machine niet verliest door onverwachte gebeurtenissen.
- Zorg ervoor dat niets/niemand in contact kan komen met de snijuitrusting of door materiaal kan worden geraakt dat door het blad wordt weggeslingerd.
- Gebruik de motorkettingzaag niet in ongunstige weersomstandigheden. B.v. bij dichte mist, hevige regen, harde wind, hevige koude enz. Werken in slechte weersomstandigheden is vermoeiend en kan

tot gevaarlijke situaties leiden, zoals een gladde ondergrond.

- Begin nooit met de machine te werken voordat het werkterrein ontruimd is en u stevig staat. Kijk of er eventuele obstakels zijn wanneer een onverwachte verplaatsing optreedt. Verzekert u ervan dat er geen materiaal naar beneden kan vallen en verwondingen kan veroorzaken terwijl u met de machine werkt. Neem grote voorzichtigheid in acht bij het werken op hellend terrein.
- Verzekert u ervan dat het werkterrein voldoende verlicht is om een veilige werkomgeving te creëren.
- Verzekert u ervan dat zich op de werkplek of in het te zagen materiaal geen leidingen of elektrische kabels bevinden.
- Als u in een object voor opslag of transport van materiaal (vat, pijp of ander object) gaat snijden, moet u eerst controleren of het brandbaar materiaal of andere vluchtige stoffen bevat.

## Basistechniek



**WAARSCHUWING!** Draai de doorslijpmachine niet opzij, dit kan ertoe leiden dat de schijf vast komt te zitten of breekt met menselijk letsel tot gevolg.

Gebruik nooit de zijkant van het zaagblad om te slijpen. Hierdoor zal het zaagblad beschadigd raken of breken, en ernstige schade veroorzaken. Gebruik alleen het snijvlak.

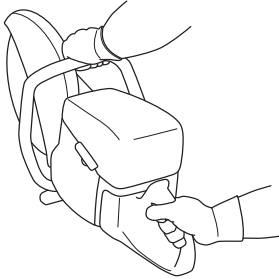
Gebruik nooit een diamantzaagblad om kunststofmateriaal door te slijpen. Door de hitte die tijdens het zagen wordt geproduceerd, kan de kunststof gaan smelten en aan het zaagblad blijven kleven. Dit kan een terugslag veroorzaken.

Bij het zagen in metaal komen vonken vrij die brand kunnen veroorzaken. Gebruik de machine niet in de buurt van ontvlambare stoffen of gassen.

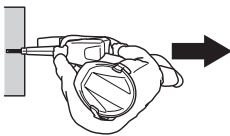
- De machine is ontworpen en bedoeld voor het zagen met droogslijpschijven of diamantzaagbladen voor draagbare machines met hoge toerentallen. De machine mag niet worden gebruikt met enig ander type zaagblad of voor enig ander type zaagwerk.
- Controleer altijd of het zaagblad correct gemonteerd is en geen tekenen van beschadiging vertoont. Zie de instructies in de hoofdstukken "Zaagbladen" en "Montage en instellingen".
- Controleer of het juiste zaagblad wordt gebruikt voor de betreffende toepassing. Zie de instructies in het hoofdstuk "Zaagbladen".
- Zaag nooit asbestmaterialen!

# BEDIENING

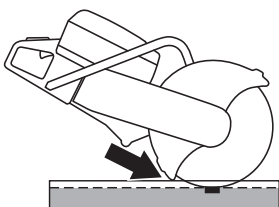
- Houd de machine met beide handen stevig vast, met uw duimen en vingers om de handgrepen. De rechterhand moet om de achterste handgreep worden geklemd en de linkerhand om de voorste handgreep. Alle gebruikers, zowel rechts- als linkshandigen, moet deze greep toepassen. Bedien een doorslijpmachine nooit terwijl u deze slechts met één hand vasthoudt.



- Ga evenwijdig aan het zaagblad staan. Ga er niet direct achter staan. In geval van terugslag zal de zaag zich in het vlak van het zaagblad bewegen.



- Houd afstand tot het zaagblad wanneer de motor draait.
- Laat de machine nooit zonder toezicht met draaiende motor achter.
- Verplaats de machine niet wanneer de slijpuitrusting draait. De machine is uitgerust met een frictierem zodat het blad sneller stopt.
- De beschermkap voor de zaaguitrusting moet zo zijn ingesteld dat de achterkant tegen het werkstuk steunt. Spatten en vonken van het doorgezaagde materiaal worden dan door de beschermkap opgevangen en van de gebruiker weggeleid. De beschermkappen voor de slijpuitrusting moeten altijd zijn aangebracht wanneer de machine werkt.

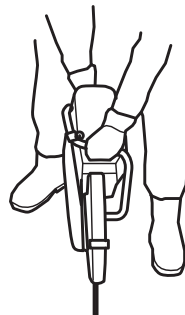


- Gebruik de terugslagrisicosector van het zaagblad nooit **om te snijden**. Zie de instructies in het hoofdstuk "Terugslag".
- Zorg voor een goede balans en een stabiele houding.
- Zaag nooit boven schouderhoogte.

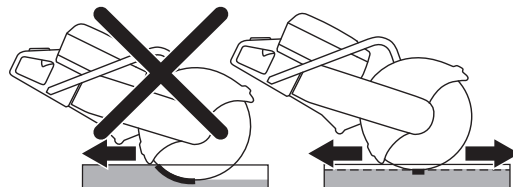
- Snijd nooit vanaf een ladder. Gebruik een platform of steiger wanneer u boven schouderhoogte moet werken. Reik niet te ver.



- Sta op voldoende afstand van het werkstuk.
- Controleer dat het zaagblad niet in contact staat met andere voorwerpen als u de machine start.
- Breng het zaagblad rustig in contact met het materiaal, bij een hoge draaisnelheid (vol gas). Houd de volle snelheid aan totdat de zaagsnede is voltooid.
- Laat de machine het werk doen zonder het zaagblad in het werkstuk te dwingen of te drukken.
- Breng de machine naar beneden in lijn met het zaagblad. Druk van de zijkant kan het zaagblad kapot maken en is zeer gevaarlijk.



- Voer het zaagblad langzaam heen en weer om een klein contactoppervlak te krijgen tussen zaagblad en het materiaal dat moet worden doorgezaagd. Zo houdt u de temperatuur van het zaagblad laag en kunt u efficiënt zagen.



## Omgaan met stof

De machine is voorzien van een waterset die met een zachte waterstraal het stof optimaal onderdrukt.

Gebruik zaagbladen voor natzagen met waterkoeling voor optimale stofbeheersing, indien mogelijk. Zie de instructies in het hoofdstuk "Zaagbladen".

Stel het waterdebiet met behulp van de kraan af om het zaagstof te binden. De benodigde hoeveelheid water hangt af van de klus die moet worden uitgevoerd.

Wanneer een waterslang losraakt van de toevoerbron betekent dit dat de machine is aangesloten op een kraan

# BEDIENING

met een te hoge waterdruk. Zie de instructies in het hoofdstuk "Technische gegevens" voor de aanbevolen waterdruk.

## Zagen met getande/hardmetalen bladen tijdens reddingsoperaties



**WAARSCHUWING!** Een doorslijpmachine mag nooit met hardmetalen bladen worden gebruikt voor werkzaamheden die niets te maken hebben met noodsituaties, zoals bijvoorbeeld in de bouwsector.

Houd er altijd rekening mee dat hardmetalen bladen gevoeliger zijn voor terugslag dan drooglijpschijven of diamantzaagbladen, indien ze niet op de juiste wijze worden gebruikt.

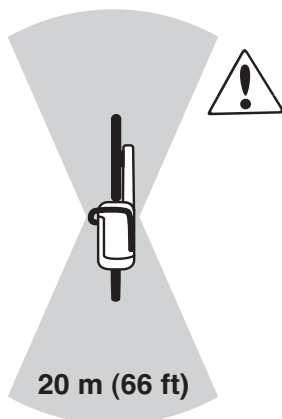
Indien de openbareveiligheidsorganisatie (brandweerkorps) die deze doorslijpmachine heeft aangeschaft, heeft besloten om de machine uit te rusten met een hardmetalen blad moeten onderstaande veiligheidsoverwegingen in acht worden genomen.

### Training en persoonlijke beschermingsuitrusting

- Enkel gebruikers die zijn getraind in het zagen met behulp van een doorslijpmachine met hardmetalen blad mogen de doorslijpmachine bedienen.
- De gebruiker moet altijd een volledige, beschermende brandbestrijdingsuitrusting dragen.
- De gebruiker moet een volledig gezichtsmasker (niet enkel een veiligheidsbril) dragen om het gezicht te beschermen tegen rondvliegende resten of terugslag van de doorslijpmachine.

### Risicogebied

Personen zonder de hierboven vermelde beschermingsuitrusting mogen niet worden toegelaten in het risicogebied voor rondvliegend materiaal.

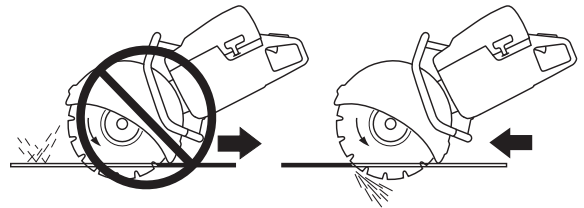


### Toerental voor schijf

Breng het zaagblad rustig in contact met het materiaal, bij een hoge draaisnelheid (vol gas). Houd de volle snelheid aan totdat de zaagsnede is voltooid. Een lage bladsnelheid, met name bij harde en dunne materialen kan leiden tot het vastslaan en afbreken van de hardmetalen bladuiteinden.

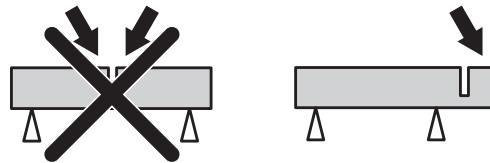
### Dun materiaal

Voor de beste controle moet het zagen van dun en hard materiaal (zoals met plaatstaal bedekte daken) worden uitgevoerd met een voorwaartse beweging.



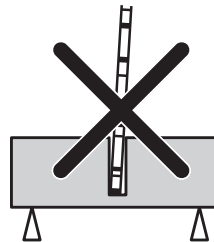
### Blokking of vastslaan

Maak een zorgvuldige inschatting van de wijze waarop het object zal bewegen in het laatste stadium van het zagen om blokkering of vastslaan te voorkomen. De zaagsnede moet tijdens het zagen openen. Als het object doorzakt en de zaagsnede begint te sluiten, kan het blad bekneld raken, wat terugslag of beschadiging van het blad kan veroorzaken.



### Recht zagen

Wanneer de zaagsnede iets gaat wijken of draaien, zal dit het zaagrendement verlagen en het blad beschadigen.



### Voor elke reddingsoperatie

Controleer de schijf en de schijfbeschermer op beschadigingen en barsten. Vervang de schijf of de schijfbeschermer als hij terugslag te verduren heeft gehad of barsten vertoont.

- Controleer of geen hardmetalen zaagtanden van het zaagblad zijn losgeraakt.
- Controleer of het zaagblad niet krom is of tekens vertoont van barsten of andere beschadigingen.

Bij het zagen van harde materialen zullen hardmetalen bladen snel hun scherpte verliezen. Voor de beste prestaties tijdens reddingsoperaties raden we aan om een nieuw blad te installeren.

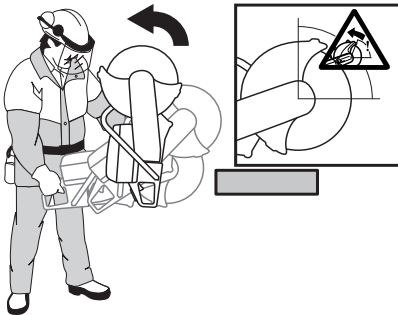
# BEDIENING

## Terugslag



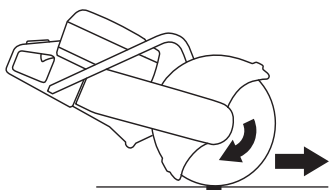
**WAARSCHUWING!** Een terugslag treedt plotseling op en kan erg hevig zijn. De doorslijpmachine kan omhoog schieten en met een draaiende beweging tegen de gebruiker aan worden geworpen, wat ernstig of zelfs fataal letsel kan veroorzaken. Het is van essentieel belang dat u, voordat u de machine gaat gebruiken, begrijpt waardoor terugslag wordt veroorzaakt en hoe u dit kunt voorkomen.

Terugslag is een plotselinge opwaartse beweging die kan optreden wanneer het zaagblad vastslaat of stilvalt in de terugslagrisicosector. Een terugslag is meestal gering en levert weinig gevaar op. Een terugslag kan echter ook zeer hevig zijn en de doorslijpmachine omhoog laten schieten en met een draaiende beweging terugwerpen naar de gebruiker, wat ernstig of zelfs fataal letsel kan veroorzaken.



### Reactieve kracht

Bij het zagen is er altijd sprake van een reactieve kracht. Deze kracht trekt de machine in tegengestelde richting ten opzichte van de bladrotatie. Meestal is deze kracht verwaarloosbaar. Als het zaagblad vastslaat of stilvalt, zal de reactieve kracht echter sterk zijn, waardoor u de macht over de doorslijpmachine kunt verliezen.

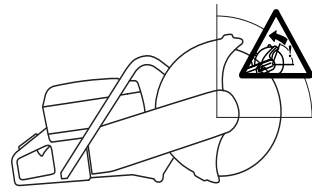


Verplaats de machine niet wanneer de slijpuitrusting draait. Gyroscopische krachten kunnen de gewenste beweging belemmeren.

### Terugslagrisicosector

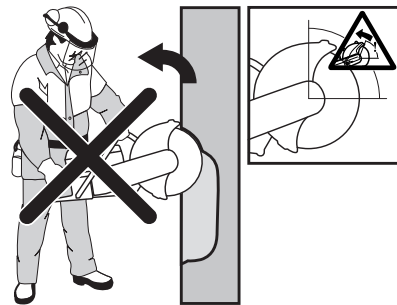
Gebruik de terugslagrisicosector van het zaagblad nooit **om te snijden**. Als het zaagblad vastslaat of stilvalt in de terugslagrisicosector zal de reactieve kracht de doorslijpmachine omhoog duwen en in een draaiende

beweging terugwerpen naar de gebruiker, wat ernstig of zelfs fataal letsel kan veroorzaken.



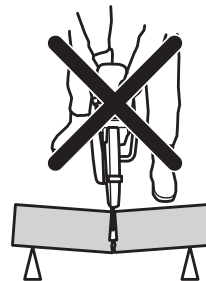
### Terugslag door "klimmen"

Als de terugslagrisicosector wordt gebruikt om te zagen, zal het zaagblad in de zaagsnede "klimmen" als gevolg van de reactieve kracht. Gebruik de terugslagrisicosector van het zaagblad niet. Gebruik het onderste kwadrant van het zaagblad om terugslag door "klimmen" te voorkomen.



### Terugslag door vastslaan

Vastslaan treedt op wanneer de zaagsnede dichtklapt en het zaagblad blokkeert. Als het zaagblad vastslaat of stilvalt, zal de reactieve kracht echter sterk zijn, waardoor u de macht over de doorslijpmachine kunt verliezen.



Als het zaagblad vastslaat of stilvalt in de terugslagrisicosector zal de reactieve kracht de doorslijpmachine omhoog duwen en in een draaiende beweging terugwerpen naar de gebruiker, wat ernstig of zelfs fataal letsel kan veroorzaken. Wees alert om mogelijke bewegingen van het werkstuk. Als het werkstuk onvoldoende wordt ondersteund en verschuift tijdens het snijden, kan het blad worden vastgeklemd waardoor terugslag ontstaat.

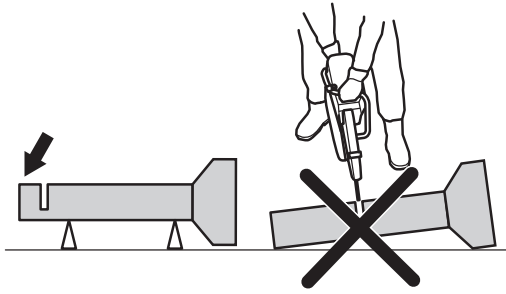
### Snijden van buizen.

Bij het natzagen in leidingen is extra voorzichtigheid geboden. Als de leiding niet goed wordt ondersteund en de zaagsnede tijdens het zagen niet open wordt gehouden, kan het blad vastslaan in de terugslagrisicosector en een hevige terugslag veroorzaken. Wees extra alert wanneer u een buis met een klokvormig uiteinde snijdt. Als deze onvoldoende wordt ondersteund, kan deze doorbuigen en het blad vastklemmen.

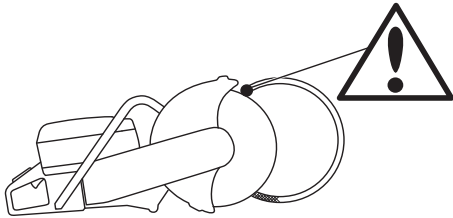


# BEDIENING

Voordat met de snijwerkzaamheden wordt begonnen, moet de buis stevig vastgezet, zodat hij tijdens het snijden niet kan gaan rollen of bewegen.

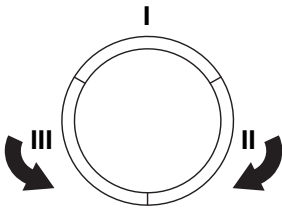


Als de buis kan doorbuigen en de snede kan sluiten, zal het blad worden vastgeklemd in de terugslagzone waardoor ernstige terugslag kan ontstaan. Als de buis voldoende wordt ondersteund, zal het uiteinde van de buis omlaag bewegen, waardoor de snede wordt geopend en het blad niet wordt vastgeklemd.



## Juiste volgorde bij het snijden van een buis

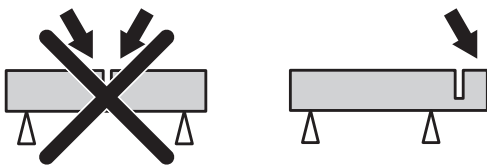
- 1 Snijd eerst sectie I.
- 2 Beweeg naar zijde II en snijd van sectie I naar de onderkant van de buis.
- 3 Beweeg naar zijde III en snijd het resterende deel van het uiteinde van de buis aan de onderzijde.



## Terugslag voorkomen

Het voorkomen van terugslag is eenvoudig.

- Het werkstuk moet altijd zodanig worden ondersteund dat de zaagsnede tijdens het doorzagen open blijft. Wanneer de zaagsnede opent, treedt er geen terugslag op. Wanneer de zaagsnede sluit en het zaagblad hierdoor vastslaat, bestaat er altijd een terugslagrisico.



- Wees voorzichtig bij het opnieuw plaatsen van het zaagblad in de zaagsnede.
- Wees erop bedacht of het werkstuk verschuift of dat er iets gebeurt waardoor de zaagsnede dichtklapt en het zaagblad vastgeklemd wordt.

## Transport en opbergen

- Zet de apparatuur tijdens vervoer goed vast om transportschade en ongelukken te voorkomen.
- Bewaar of vervoer de doorslijpmachine niet met een gemonteerde slijpschijf. Controleer regelmatig of de geluiddemper vast op het motorhuis zit.
- Zie het hoofdstuk "Zaagbladen" voor informatie over het vervoer en opslaan van zaagbladen.
- Zie het hoofdstuk "Brandstofhantering" voor informatie over het vervoer en opslaan van brandstof.
- Sla de apparatuur op in een afsluitbare ruimte zodat het buiten het bereik is van kinderen en onbevoegde personen.

# STARTEN EN STOPPEN

## Voor de start



**WAARSCHUWING!** Voor het starten moet u rekening houden met de volgende punten: Neem de gebruiksaanwijzing grondig door en gebruik de machine niet voor u alles duidelijk heeft begrepen.

Draag altijd persoonlijke veiligheidsuitrusting. Zie het hoofdstuk 'Persoonlijke beschermingsmiddelen'.

Start de machine niet zonder dat de riem en de riembescherming zijn aangebracht. Anders kan de koppeling losraken en persoonlijk letsel veroorzaken.

Controleer of de brandstofdop goed vastzit en dat er geen brandstoflekkage is.

Zorg ervoor dat zich geen onbevoegden binnen het werkgebied bevinden, anders bestaat er risico voor ernstige verwondingen.

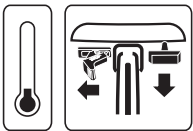
- Voer dagelijks onderhoud uit. Zie de instructies in het hoofdstuk "Onderhoud".

## Starten

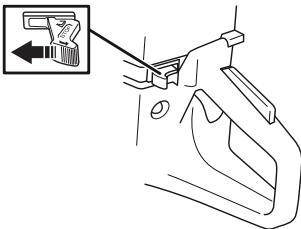


**WAARSCHUWING!** Het zaagblad draait wanneer de motor start. Zorg ervoor dat deze vrij kan draaien.

### Bij koude motor:



- Zorg ervoor dat de stopschakelaar (STOP) zich in de linker positie bevindt.

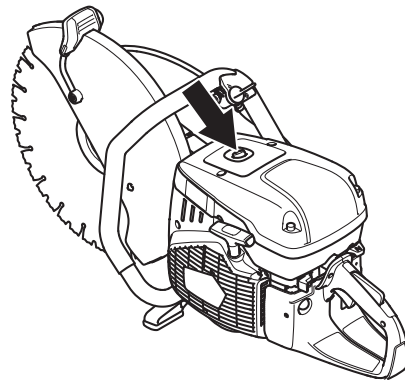


- Startgaspositie en choke worden verkregen door de chokehendel helemaal uit te trekken.

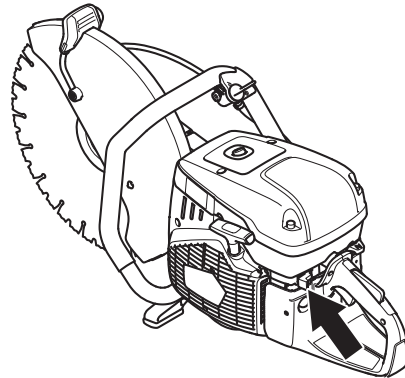


- **Decompressieklep:** Druk de klep in om de druk in de cilinder te verminderen, dit om het starten van de slijpmachine te vereenvoudigen. De decompressieklep moet altijd worden gebruikt bij het

starten. Wanneer de machine is gestart, gaat de klep automatisch terug naar uitgangspositie.



- Druk een aantal malen op de rubberen balg van de brandstofpomp tot er brandstof in de balg komt (ca. 6 keer). De balg hoeft niet helemaal gevuld te worden.



- Pak de voorhandgreep met uw linkerhand vast. Plaats uw rechervoet op het onderste deel van de achterhandgreep en druk de machine tegen de grond. Trek met uw rechterhand aan de starthendel totdat de motor start. **Wikkel het startkoord nooit rond uw hand.**



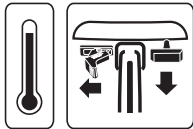
# STARTEN EN STOPPEN

- Druk de chokehendel naar binnen zodra de motor start. Als de chokehendel is uitgetrokken, slaat de motor na een paar seconden af. (Indien de motor toch afslaat, trekt u opnieuw aan de starthendel.)
- Druk de gashendel in om het startgas uit te schakelen. De machine gaat dan stationair draaien.

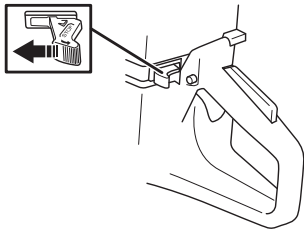
**LET OP!** Trek met uw rechterhand langzaam aan het starterkoord totdat u weerstand voelt (zodra de starthaken ingrijpen) en trek vervolgens stevig en snel aan het koord.

Trek het starterkoord niet volledig uit en laat de starthendel niet zomaar los wanneer het volledig uitgetrokken is. Dit kan tot beschadigingen van de machine leiden.

## Bij een warme motor:



- Zorg ervoor dat de stopschakelaar (STOP) zich in de linker positie bevindt.



- Zet de chokehendel in de chokepositie. De chokepositie is tevens de automatische startgaspositie.



- **Decompressieklep:** Druk de klep in om de druk in de cilinder te verminderen, dit om het starten van de slijpmachine te vereenvoudigen. De decompressieklep moet altijd worden gebruikt bij het starten. Wanneer de machine is gestart, gaat de klep automatisch terug naar uitgangpositie.



- Druk de chokehendel naar binnen om de choke uit te schakelen (de startgaspositie wordt gehandhaafd).



- Pak de voorhandgreep met uw linkerhand vast. Plaats uw rechervoet op het onderste deel van de

achterhandgreep en druk de machine tegen de grond. Trek met uw rechterhand aan de starthendel totdat de motor start. **Wikkel het startkoord nooit rond uw hand.**



- Druk de gashendel in om het startgas uit te schakelen. De machine gaat dan stationair draaien.

**LET OP!** Trek met uw rechterhand langzaam aan het starterkoord totdat u weerstand voelt (zodra de starthaken ingrijpen) en trek vervolgens stevig en snel aan het koord.

Trek het starterkoord niet volledig uit en laat de starthendel niet zomaar los wanneer het volledig uitgetrokken is. Dit kan tot beschadigingen van de machine leiden.



**WAARSCHUWING!** Als de motor draait, bevatten de uitlaatgassen chemische stoffen, zoals koolwaterstoffen en koolmonoxide. De inhoud van de uitlaatgassen kan ademhalingsproblemen, kanker, geboortefwijkingen of andere beschadigingen van het voortplantingssysteem veroorzaken.

Koolmonoxide is kleurloos en geurloos en is altijd aanwezig in uitlaatgassen. De eerste tekenen van koolmonoxidevergiftiging zijn een lichte duizeligheid die al dan niet door het slachtoffer wordt herkend. Bij een hoge concentratie koolmonoxide kan een persoon zonder waarschuwing flauwvallen en bewusteloos raken. Omdat koolmonoxide kleurloos en geurloos is, kan de aanwezigheid ervan niet worden opgemerkt. Als de geur van uitlaatgassen wordt geroken, is ook altijd koolmonoxide aanwezig. Gebruik een doorslijpmachine die op brandstof werkt nooit binnenshuis, in greppels met een diepte van meer dan 1 meter of in andere slecht geventileerde ruimten. Zorg voor voldoende ventilatie bij het werken in greppels of andere nauwe ruimten.

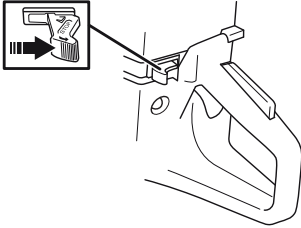
# STARTEN EN STOPPEN

## Stoppen



**VOORZICHTIG!** Nadat de motor is gestopt, blijft het zaagblad nog maximaal een minuut draaien. (Bladvrijloop.) Zorg ervoor dat het zaagblad vrij kan draaien totdat het volledig tot stilstand is gekomen. Onzorgvuldigheid kan leiden tot ernstig persoonlijk letsel.

- Stop de motor door de stopschakelaar (STOP) naar rechts te bewegen.



# ONDERHOUD

## Algemeen



**WAARSCHUWING!** De gebruiker mag alleen die onderhouds- en servicewerkzaamheden uitvoeren die in deze gebruiksaanwijzing worden beschreven. Meer ingrijpende maatregelen moeten door een erkende servicewerkplaats worden uitgevoerd.

Zorg dat de motor is uitgeschakeld en dat de stopschakelaar in de STOP-stand staat.

Draag altijd persoonlijke veiligheidsuitrusting. Zie het hoofdstuk 'Persoonlijke beschermingsmiddelen'.

De levensduur van de machine kan worden verkort en het risico van ongelukken kan toenemen wanneer het onderhoud aan de machine niet op de juiste manier wordt uitgevoerd en wanneer service en/of reparaties niet vakkundig worden gedaan. Indien u meer informatie nodig heeft, verzoeken wij u contact op te nemen met de dichtstbijzijnde servicewerkplaats.

- Laat de machine regelmatig controleren door uw Husqvarna-leverancier en laat hem de nodige aanpassingen en reparaties uitvoeren.

## Onderhoudsschema

In het onderhoudsschema kunt u zien welke onderdelen van uw machine onderhoud nodig hebben en hoe vaak. De onderhoudsintervallen zijn gebaseerd op dagelijks gebruik van de machine en kunnen dus afwijken op basis van de gebruiksfrequentie.

Dagelijks onderhoud	Wekelijks onderhoud	Maandelijks onderhoud
<b>Schoonmaken</b>	<b>Schoonmaken</b>	<b>Schoonmaken</b>
Reiniging buitenzijde		Bougie
Koelluchtinlaat		Brandstoftank
<b>Functionele inspectie</b>	<b>Functionele inspectie</b>	<b>Functionele inspectie</b>
Algemene inspectie	Trillingdempingssysteem*	Brandstofsysteem
Gashendelvergrendeling*	Geluiddemper*	Luchtfilter
Stopschakelaar*	Aandrijfriem	Aandrijf wiel, koppeling
Beschermkap van het zaagblad*	Carburateur	
Zaagblad**	Starter	

\* Zie de instructies in het hoofdstuk "Veiligheidsuitrusting voor de machine".

\*\* Zie de instructies in het hoofdstuk "Zaagbladen" en "Montage en instellingen".

## Schoonmaken

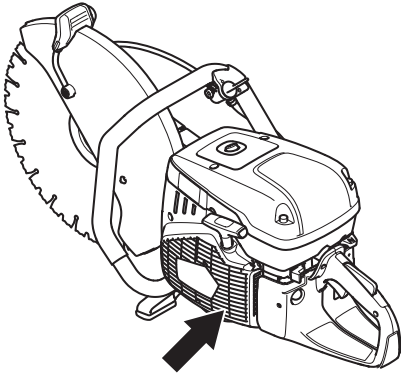
### Reiniging buitenzijde

- Reinig de machine dagelijks door deze na beëindiging van de werkzaamheden af te spoelen met schoon water.

# ONDERHOUD

## Koelluchtinlaat

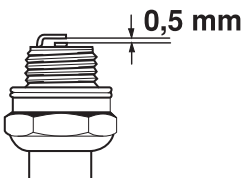
- Reinig de koelluchtinlaat indien nodig.



**LET OP!** Een vuile of verstopte luchtinlaat leidt tot oververhitting van de machine, waardoor de cilinder en zuiger kunnen worden beschadigd.

## Bougie

- Als het vermogen van de machine laag is, als de machine moeilijk start of ongelijk stationair loopt: controleer altijd eerst de bougie voor u andere maatregelen neemt.
- Zorg ervoor dat ontsteker en ontstekingskabel onbeschadigd zijn om het risico van elektrische stoten te voorkomen.
- Indien de bougie beroet is, moet u deze schoonmaken en controleren of de elektrodenafstand 0,5 mm is. Vervang indien nodig.



**LET OP!** Gebruik steeds het correcte bougietype! Andere types kunnen de zuiger/cilinder beschadigen.

Deze factoren veroorzaken afzettingen op de elektroden van de bougie, wat tot motordefecten en startmoeilijkheden kan leiden.

- Een verkeerd oliemengsel in de brandstof (te veel of verkeerde olie).
- Een vuil luchtfilter.

## Functionele inspectie

### Algemene inspectie

- Controleer of de bouten en moeren en vastgedraaid zijn.

## Aandrijfriem

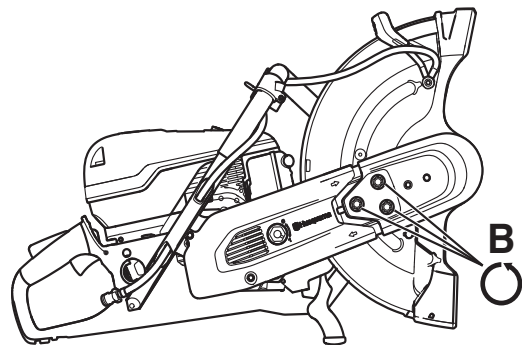
### Spannen van de aandrijfriem

Een nieuwe aandrijfriem moet nog een keer worden opgespannen wanneer een of twee tanks met brandstof zijn verbruikt.

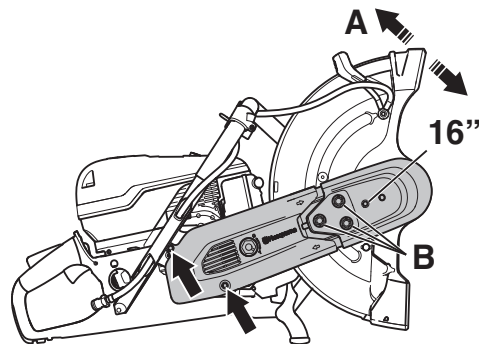
Omdat de machine is voorzien van een frictierem, hoort u een schurend geluid van het lagerhuis, wanneer het zaagblad met de hand wordt rondgedraaid. Dit is volkomen normaal. Bij vragen kunt u contact opnemen met een erkende Husqvarnawerkplaats.

De aandrijfriem is ingekapseld en goed beschermd tegen stof en vuil.

- Draai de drie bouten (B) één slag linksom.



- Beweeg de bladbeschermkap (A) 3-5 keer omhoog en omlaag en haal de moeren (B) aan met de combisleutel.



### Vervangen van aandrijfriem

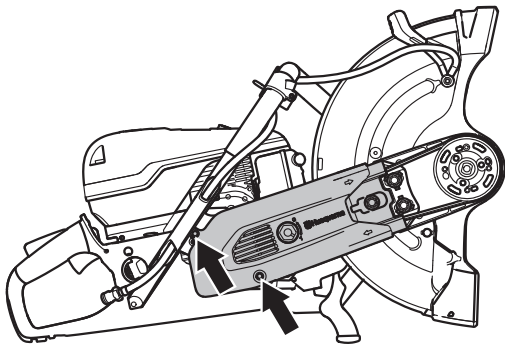


**WAARSCHUWING!** Start de motor nooit wanneer poelie en koppeling voor onderhoud zijn verwijderd. Start de machine niet zonder dat slijp-arm en slijpelement gemonteerd zijn. Anders kan de koppeling losraken en persoonlijk letsel veroorzaken.

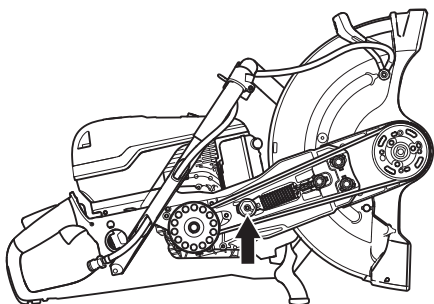
- Demonteer de slijpkop, zie voor instructies het hoofdstuk 'Omkeerbare slijpkop'.

## ONDERHOUD

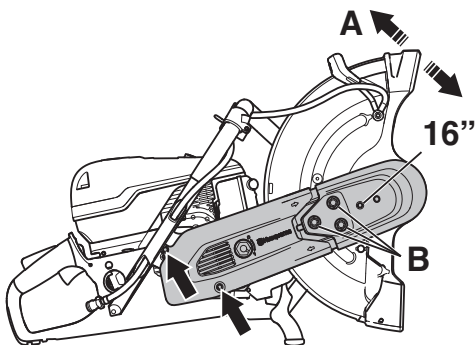
- Verwijder nu de achterste riembescherming.



- Vervang de aandrijfriem. Zet de riemspanner in positie '1' om de aandrijfriem te spannen.



- Breng de riembescherming aan en zet de moeren (B) handvast. Beweeg de bladbeschermkap (A) 3-5 keer omhoog en omlaag en haal de moeren (B) aan met de combisleutel.



### Carburateur

De carburateur is voorzien van vaste sproeiers, om ervoor te zorgen dat de machine altijd het juiste mengsel brandstof en lucht krijgt. Indien de motor geen vermogen heeft of slecht accelereert, moet u het volgende doen:

- Controleer het luchtfilter en vervang indien nodig. Als dat niet helpt, moet u contact opnemen met een erkende servicewerkplaats.

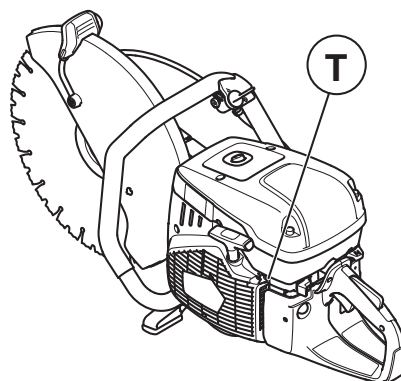
### Afstellen van stationairtoerental



**VOORZICHTIG!** Als de stationair instelling niet zo kan worden afgesteld dat de messen stilstaan, dient u uw dealer/servicewerkplaats te raadplegen. Gebruik de machine nooit voor deze correct is afgesteld of gerepareerd.

Start de motor en controleer de stationair instelling. Bij een juiste carburateurinstelling moet het zaagblad bij stationair toerental stilstaan.

- Stel het stationair toerental af met schroef T. Als afstellen nodig is, moet u de stationair-schroef eerst met de klok mee draaien tot de zaagschijf begint te draaien. Draai de schroef vervolgens tegen de klok in tot de schijf stopt met draaien.



Aanbevolen stationair toerental: 2700 omw./min.

### Starter

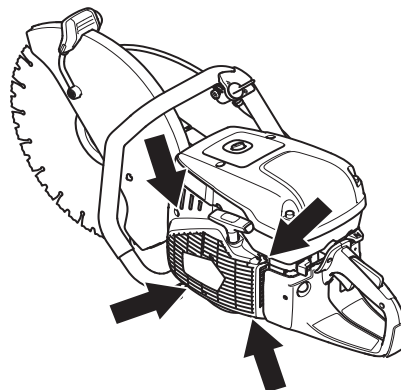


**WAARSCHUWING!** De in het starterhuis gemonteerde terugspringveer is opgespannen en kan eruit springen als men niet voorzichtig tewerk gaat en kan dan persoonlijke verwondingen veroorzaken.

Wees altijd voorzichtig bij het vervangen van de veer of het starterkoord. Draag altijd een veiligheidsbril.

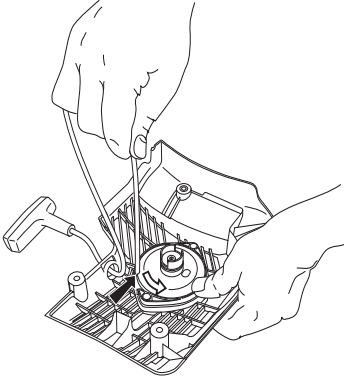
### Een gebroken of versleten starterkoord vervangen

- Draai de schroeven los waarmee de starter op het carter bevestigd is en verwijder de starter.

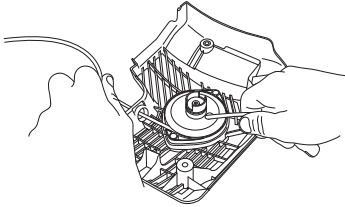


# ONDERHOUD

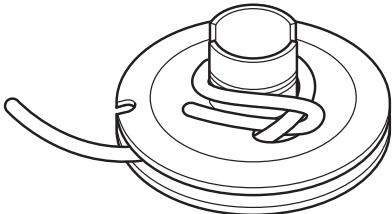
- Trek het koord ca. 30 cm uit en til het in de uitsparing op de rand van de koordschijf. Indien het koord heel is: Haal de spanning van de veer door de schijf langzaam achteruit te draaien.



- Verwijder evt. resten van het oude startkoord en controleer of de startveer werkt. Stop het nieuwe startkoord door het gat in het starterhuis en op de koordschijf.

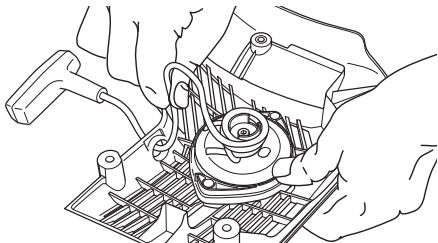


- Zet het startkoord vast rond het midden van de koordschijf zoals op de afbeelding te zien is. Trek de bevestiging stevig vast en zorg ervoor dat het losse uiteinde zo kort mogelijk is. Veranker het uiteinde van het startkoord in de starthandgreep.



## De terugveer spannen

- Voer het koord door de uitsparing aan de rand van de schijf en wikkel het koord 3 slagen met de klok mee rond het midden van de koordschijf.

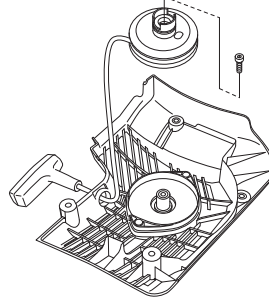


- Trek vervolgens aan de starthandgreep, waardoor de veer op spanning komt. Herhaal de procedure nog een keer en dan met vier slagen.
- Let op dat de starthandgreep naar de juiste uitgangspositie wordt getrokken nadat de veer is opgespannen.
- Controleer of de veer niet naar de eindstand wordt getrokken door het startkoord helemaal uit te trekken.

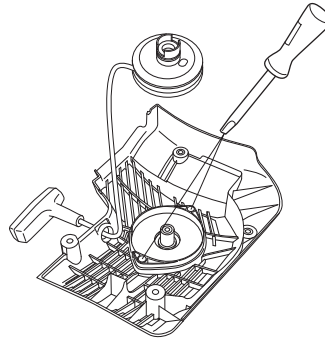
Rem de koordschijf met uw duim af en controleer of het mogelijk is de koordschijf dan nog ten minste een halve slag te draaien.

## Een gebroken terugveer vervangen

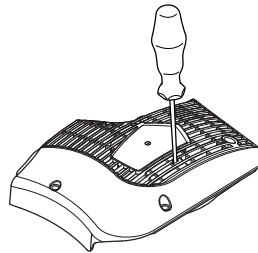
- Maak de bout in het midden van de koordschijf los en haal de schijf weg.



- Vergeet niet dat de retourveer op spanning in het starterhuis ligt.
- Maak de schroeven waarmee de veercassette vastzit los.



- Verwijder de retourveer door de starter om te draaien en de haken los te maken, met behulp van een schroevendraaier. De haken houden het pakket met de retourveer op de starter vast.



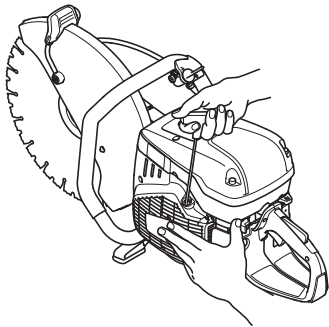
- Smeer de terugveer in met dunne olie. Monteer het koordwiel en span de terugveer.



# ONDERHOUD

## Starter monteren

- Monteer de starter door eerst het starterkoord volledig uit te trekken en daarna de starter op het carter te plaatsen. Laat het starterkoord langzaam los zodat de starthaken in het wiel grijpen.



- Draai de bouten vast.

## Brandstofsysteem

### Algemeen

- Controleer of het tankdeksel en de afdichting onbeschadigd zijn.
- Controleer de brandstofleiding. Vervang de kap wanneer hij beschadigd is.

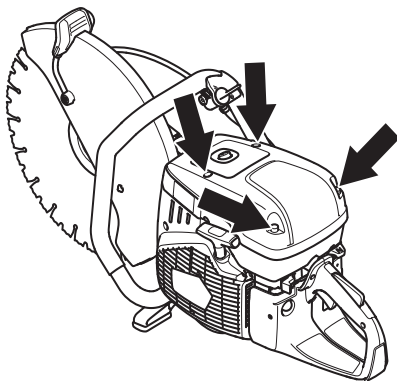
### Brandstoffilter

- Het brandstoffilter zit in de brandstoftank.
- De brandstoftank moet worden beschermd tegen vuil bij het tanken. Dit vermindert het risico van storingen die worden veroorzaakt door het verstopen van het brandstoffilter dat in de tank zit.
- Het brandstoffilter kan niet worden schoongemaakt maar moet worden vervangen door een nieuw filter wanneer het verstopt is. **Het filter moet ten minste een keer per jaar worden vervangen.**

## Luchtfilter

Het luchtfilter hoeft enkel te worden gecontroleerd wanneer het vermogen van de motor afneemt.

- Draai de schroeven los. Verwijder het luchtfilterdeksel.

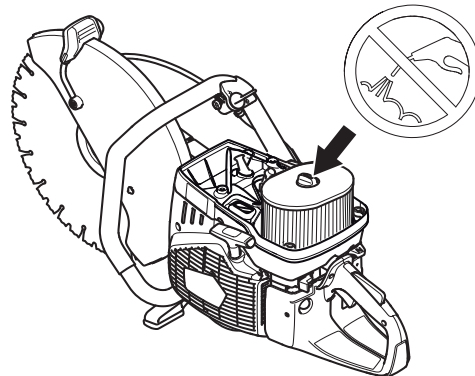


- Controleer het luchtfilter en vervang indien nodig.

## Vervangen van luchtfilter

**LET OP!** Het luchtfilter mag niet worden gereinigd of doorgeblazen met perslucht. Hierdoor zal het filter worden beschadigd.

- Haal schroef weg.



- Vervang het luchtfilter.

## Aandrijf wiel, koppeling

- Controleer het koppelingscentrum, het aandrijfwiel en de koppelingsveer op slijtage.

# OPSPOREN VAN STORINGEN

## Storingsschema



**WAARSCHUWING!** Schakel de motor uit en zet de stopschakelaar in de STOP-stand wanneer de machine tijdens onderhoudswerkzaamheden of het opsporen van fouten niet ingeschakeld hoeft te zijn.

Probleem	Waarschijnlijke oorzaak	Mogelijke oplossing
De machine start niet	Onjuiste startprocedure.	Zie instructies onder de kop Starten en stoppen.
	De schakelaar staat in de rechterstand (STOP)	Zorg ervoor dat de stopschakelaar (STOP) zich in de linker positie bevindt.
	Geen brandstof in de brandstoftank	Vul brandstof bij
	De bougie defect	Vervang de bougie.
	Koppeling is defect	Neem contact op met de servicewerkplaats.
Het blad draait op stationair toerental	Stationair toerental te hoog	Pas het stationair toerental aan
	Koppeling is defect	Neem contact op met de servicewerkplaats.
Het blad draait niet als het gas wordt opengezet	Riem te los of defect	Span de riem aan / Vervang de riem door een nieuwe
	Koppeling is defect	Neem contact op met de servicewerkplaats.
	Blad onjuist gemonteerd	Controleer of het zaagblad goed is geïnstalleerd.
De machine genereert geen vermogen als het gas wordt opengezet	Verstopt luchtfilter	Controleer het luchtfilter en vervang indien nodig.
	Brandstoffilter verstopt	Vervang het brandstoffilter
	Ventilatie van de brandstoftank verstopt	Neem contact op met de servicewerkplaats.
Trillingsniveau te hoog	Blad onjuist gemonteerd	Controleer altijd of het zaagblad correct gemonteerd is en geen tekenen van beschadiging vertoont. Zie de instructies in de hoofdstukken "Zaagbladen" en "Montage en instellingen".
	Blad is defect	Vervang het blad en zorg ervoor dat het intact is.
	Trillingsdempingselementen defect	Neem contact op met de servicewerkplaats.
Temperatuur van de machine is te hoog	Luchtinlaat of koelflazen verstopt	Reinig de luchtinlaat/koelflazen van de machine
	Slippende riem	Controleer de riem / pas de spanning aan
	Slippende koppeling / defect	Slijp altijd met vol gas. Controleer de koppeling / neem contact op met uw servicewerkplaats

# TECHNISCHE GEGEVENS

## Technische gegevens

Technische gegevens	K970 III, K970 III Rescue
<b>Motor</b>	
Cilinderinhoud, cm <sup>3</sup> /cu.in	93,6/5,7
Cilinderdiameter, mm/inch	56/2,2
Slag, mm/inch	38/1,5
Stationair toerental, t/min	2700
Volgas - onbelast, tpm	9300 (+/- 150)
Vermogen, kW/pk bij tpm	4,8/6,5 @ 9000
<b>Ontstekingssysteem</b>	
Fabrikant van ontstekingssysteem	SEM
Soort ontstekingssysteem	CD
Bougie	NGK BPMR 7A/ Champion RCJ 6Y
Elektrodenafstand, mm/ duim	0,5/0,02
<b>Brandstof-/smeersysteem</b>	
Fabrikant van carburateur	Walbro
Soort carburateur	RWJ-7
Inhoud brandstoftank, liter/US fl.Oz	1/33,8
<b>Waterkoeling</b>	
Aanbevolen waterdruk, bar/PSI	0,5-10/7-150

Gewicht	14" (350 mm)	16" (400 mm)
Slijpmachine zonder brandstof en zaagblad, kg/lb	11,0/24,3	11,6/25,6
<b>Spil, uitgaande as</b>		
Max. spiltoerental, tpm	4700	4300
Max. omloopsnelheid, m/s / ft/min	90/18000	90/18000

<b>Lawaai-emissie (zie opm. 1)</b>		
Geluidsvermogen, gemeten dB(A)	114	114
Geluidsvermogen, gegarandeerd L <sub>WA</sub> dB(A)	115	115
<b>Geluidsniveau (zie opm. 2)</b>		
Equivalent geluidsniveau bij oor van de gebruiker, dB(A)	104	104
<b>Equivalent trillingsniveau, a<sub>hveq</sub> (zie opm. 3)</b>		
Voorste handvat, m/s <sup>2</sup>	3,8	3,5
Achterste handvat, m/s <sup>2</sup>	4,2	4,0

Opm. 1: Emissie van geluid naar de omgeving gemeten als geluidsvermogen (L<sub>WA</sub>) volgens EG-richtlijn 2000/14/EG. Het verschil tussen het gegarandeerde en het gemeten geluidsvermogen is dat het gegarandeerde geluidsvermogen ook de dispersie in het meetresultaat meeneemt alsmede variaties tussen verschillende machines van hetzelfde model, conform Richtlijn 2000/14/EG.

Opm. 2: Het equivalente geluidsdrukkniveau, volgens EN ISO 19432, wordt berekend als de tijdsgewogen energiesom van de geluidsdrukkniveaus onder verschillende werkomstandigheden. De gerapporteerde gegevens voor het equivalente geluidsdrukkniveau vertonen een typische statistische spreiding (standaardafwijking) van 1 dB (A).

Opm. 3: Het equivalente trillingsniveau, volgens EN ISO 19432, wordt berekend als de tijdsgewogen energiesom van de trillingsniveaus onder verschillende werkomstandigheden. De gerapporteerde gegevens voor het equivalente trillingsniveau vertonen een typische statistische spreiding (standaardafwijking) van 1 m/s<sup>2</sup>.

# TECHNISCHE GEGEVENS

## Aanbevolen diamantzaag-/slijpblad, specificatie

Zaagbladdiameter, inch/mm	Max. zaagdiepte, mm/inch	Zaagbladtoerental, tpm	Zaagbladvermogen, m/s / ft/min	Zaagblad middengatdiameter	Maximale bladdikte, mm/inch
14" (350 mm)	125/5	5500	100/19600	25,4 mm /1" of 20 mm	5/0,2
16" (400 mm)	155/6	4775	100/19600	25,4 mm /1" of 20 mm	5/0,2

## EG-verklaring van overeenstemming

### (Alleen geldig voor Europa)

Husqvarna AB, SE-561 82 Huskvarna, Zweden, Tel: +46-36-146500, verklaart hierbij dat slijpmachine **Husqvarna K970 III, K970 III Rescue** met serienummers van 2016 en later (bouwjaar aangegeven op het typeplaatje gevolgd door een serienummer) overeenkomt met de voorschriften in de Europese richtlijn:

- van 17 mei 2006 "betreffende machines" **2006/42/EG**.
- van 26 februari 2014 "betreffende elektromagnetische compatibiliteit" **2014/30/EU**.
- van 8 mei 2000 "betreffende geluidsemissie door materieel voor gebruik buitenshuis" **2000/14/EG**. Beoordeling van de overeenstemming uitgevoerd volgens Bijlage V.

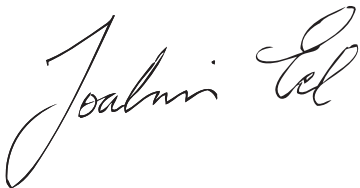
Voor informatie betreffende lawaaiemissies, zie hoofdstuk Technische gegevens.

De volgende normen zijn van toepassing: **EN ISO 12100:2010, EN ISO 14982:2009, CISPR12:2007+AMD1:2009, EN55012:2008+A1:2009, EN ISO 19432:2012**

Aangemelde instantie: 0404, SMP Svensk Maskinprovning AB, Box 7035, SE-750 07 Uppsala, Zweden, heeft namens Husqvarna AB een niet-verplicht typeonderzoek uitgevoerd overeenkomstig de machinerichtlijn (2006/42/EG). Het certificaat heeft nummer: SEC/10/2286.

Verder heeft SMP, Svensk Maskinprovning AB, Box 7035, SE-750 07 Uppsala, Zweden, een verklaring afgegeven van overeenstemming met bijlage V van de richtlijn van de raad van 8 mei 2000 "betreffende geluidsemissie door materieel voor gebruik buitenshuis" 2000/14/EG. Het certificaat heeft nummer: 01/169/034 - K970 III, K970 III Rescue

Göteborg 13 januari 2016



Joakim Ed

Global R&D Director

Construction Equipment Husqvarna AB

(erkende vertegenwoordiger voor Husqvarna AB en verantwoordelijk voor technische documentatie.)

# SYMBOLERKLÄRUNG

## Handbuchversion

Dieses Handbuch ist die internationale Version für alle englischsprachigen Länder außerhalb Nordamerikas. Für Arbeiten in Nordamerika verwenden Sie bitte die US-Version.

## Symbole am Gerät

**WARNUNG!** Das Gerät kann falsch oder nachlässig angewendet gefährlich sein und zu schweren oder gar lebensgefährlichen Verletzungen des Benutzers oder anderer Personen führen.

Lesen Sie die Bedienungsanweisung sorgfältig durch und machen Sie sich mit dem Inhalt vertraut, bevor Sie das Gerät benutzen.

Tragen Sie persönliche Schutzausrüstung. Siehe die Anweisungen unter der Überschrift "Persönliche Schutzausrüstung".

Dieses Produkt stimmt mit den geltenden CE-Richtlinien überein.



**WARNUNG!** Beim Schneiden bildet sich Staub, der beim Einatmen Gesundheitsschäden hervorrufen kann. Einen zugelassenen Atemschutz tragen. Das Einatmen von Benzindämpfen und Abgasen vermeiden. Für gute Belüftung sorgen.

**WARNUNG!** Rückschläge können plötzlich, schnell und sehr heftig sein und lebensbedrohliche Verletzungen hervorrufen. Lesen Sie und machen Sie sich mit dem Inhalt der Anleitung vertraut, bevor Sie das Gerät benutzen.



**WARNUNG!** Von der Trennscheibe erzeugte Funken können brennbares Material wie Benzin (Gas), Holz, Kleidung, trockenes Gras usw. entzünden.



Sicherstellen, dass die Klingen weder Risse noch andere Beschädigungen aufweisen.



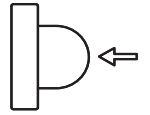
Keine kreisrunden Sägeklingen verwenden.



Choke.



Kraftstoffpumpe



Dekompressionsventil



Starthandgriff



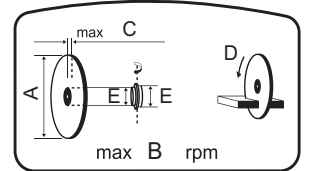
Tanken von Kraftstoffen/Ölgemisch



Aufkleber Start-Anweisungen Siehe die Anweisungen unter der Überschrift Starten und Stoppen.



Aufkleber Schneidausrüstung



A= Schneidklingendurchmesser

B= Max. Drehzahl der Abtriebswelle

C= Max. Klingenstärke

D= Drehrichtung der Klinge

E= Buchsendimension

Umweltbelastende Geräuschemissionen gemäß der Richtlinie der Europäischen Gemeinschaft. Die Emission des Gerätes ist im Kapitel Technische Daten und auf dem Geräteschild angegeben.



**Sonstige Symbole/Aufkleber am Gerät beziehen sich auf spezielle Zertifizierungsanforderungen, die in bestimmten Ländern gelten.**



**WARNUNG!** Bei einem Eingriff in den Motor erlischt die EU-Typgenehmigung für dieses Produkt.

---

# SYMBOLERKLÄRUNG

---

## Erläuterung der Warnstufen

Es bestehen drei unterschiedliche Warnstufen.

### WARNUNG!



**WARNUNG!** Zeigt eine Gefahrensituation an, deren Nichtvermeidung zum Tod oder zu schweren Verletzungen führen kann.

### ACHTUNG!



**ACHTUNG!** Zeigt eine Gefahrensituation an, deren Nichtvermeidung zu leichten oder mittleren Verletzungen führen kann.

### HINWEIS!

**HINWEIS!** Weist auf Handlungen hin, die nicht zu Verletzungen führen.

---

# INHALT

---

## Inhalt

### SYMBOLERKLÄRUNG

Handbuchversion .....	101
Symbole am Gerät .....	101
Erläuterung der Warnstufen .....	102

### INHALT

Inhalt .....	103
--------------	-----

### VORSTELLUNG

Sehr geehrter Kunde! .....	104
Konstruktion und Funktionen .....	104

### VORSTELLUNG

Was ist was am Trennschleifer - K970 III? .....	106
---	-----

### VORSTELLUNG

Was ist was am Trennschleifer - K970 III Rescue? .....	107
--	-----

### SICHERHEITSAUSRÜSTUNG DES GERÄTES

Allgemeines .....	108
-------------------	-----

### TRENNSCHEIBEN

Allgemeines .....	110
Schleifscheiben .....	111
Diamantscheiben .....	111
Gezahnte Klingen, Klingen mit Karbidspitzen und Notsituationen .....	112
Transport und Aufbewahrung .....	112

### MONTAGE UND EINSTELLUNGEN

Allgemeines .....	113
Prüfen der Spindelwelle und der Flanschscheibe .....	113
Überprüfen der Buchse .....	113
Überprüfen der Drehrichtung der Trennscheibe ... ..	113
Montage der Trennscheibe .....	113
Schutz für die Trennscheibe .....	114
Drehbares Trennaggregat .....	114

### UMGANG MIT KRAFTSTOFF

Allgemeines .....	116
Kraftstoff .....	116
Tanken .....	117
Transport und Aufbewahrung .....	117

### BETRIEB

Schutzausrüstung .....	118
Allgemeine Sicherheitsvorschriften .....	118
Transport und Aufbewahrung .....	123

### STARTEN UND STOPPEN

Vor dem Start .....	124
Starten .....	124
Stoppen .....	126

### WARTUNG

Allgemeines .....	127
Wartungsschema .....	127
Reinigung .....	127
Funktionsinspektion .....	128

### FEHLERSUCHE

Störungssuchplan .....	132
------------------------	-----

### TECHNISCHE DATEN

Technische Daten .....	133
Empfohlene Schleif- und Diamant-Trennscheibe, Spezifikation .....	134
EG-Konformitätserklärung .....	134

# VORSTELLUNG

## Sehr geehrter Kunde!

Vielen Dank, dass Sie sich für ein Produkt von Husqvarna entschieden haben.

Wir hoffen, dass Sie mit Ihrer Maschine über lange Jahre zufrieden sein werden. Mit dem Erwerb unserer Produkte erhalten Sie professionelle Hilfe bei Reparaturen und Service. Haben Sie das Gerät nicht bei einem unserer Vertragshändler gekauft, fragen Sie dort nach der nächsten Servicewerkstatt.

Diese Bedienungsanweisung ist ein wertvolles Dokument. Halten Sie die Bedienungsanweisung stets griffbereit. Die genaue Befolgung ihres Inhalts (Verwendung, Service, Wartung usw.) verlängert die Lebensdauer der Maschine erheblich und erhöht zudem ihren Wiederverkaufswert. Sollten Sie Ihre Maschine verkaufen, händigen Sie dem neuen Besitzer bitte auch die Bedienungsanleitung aus.

## Über 300 Jahre Innovationsgeschichte

Husqvarna ist ein schwedisches Unternehmen, dessen Geschichte bis ins Jahr 1689 zurückreicht, als König Karl XI eine Fabrik errichten ließ, in der Musketen gefertigt werden sollten. Damit wurden die Grundlagen einer erfolgreichen Firmengeschichte gelegt, in deren Verlauf bahnbrechende technische Neuerungen in Bereichen wie Waffensysteme, Fahr- und Motorräder, Haushaltsgeräte, Nähmaschinen und Gartenprodukte auf den Markt gebracht werden konnten.

Husqvarna gilt als führender Anbieter von Geräten zur Garten- und Waldpflege sowie von Schneidaustrüstungen und Diamantwerkzeugen für die Bau- und Steinindustrie.

## Pflichten des Betreibers

Der Betreiber ist verpflichtet, nur entsprechend ausgebildete Personen mit der Bedienung der Maschine zu betrauen. Aufsichtspersonen und Bediener haben sämtliche Anweisungen in diesem Handbuch zur Kenntnis zu nehmen. Insbesondere ist auf Folgendes zu achten:

- Sicherheitshinweise
- Vorgesehene Anwendungsbereiche
- Nutzungs- und Wartungshinweise

Die Benutzung dieser Maschine könnte durch eine nationales Gesetz geregelt sein. Finden Sie heraus, welche Gesetze Anwendung finden, bevor Sie mit der Benutzung der Maschine beginnen.

## Vorbehaltsbestimmungen des Herstellers

Es ist möglich, dass Husqvarna nach der Veröffentlichung dieses Handbuchs weitere Informationen zum sicheren Betrieb dieses Produkts herausgibt. Der Betreiber ist verpflichtet, stets über die sichersten Betriebsverfahren informiert zu sein.

Die Husqvarna AB arbeitet ständig an der Weiterentwicklung ihrer Produkte und behält sich daher das Recht auf Änderungen ohne vorherige Ankündigung, z. B. von Form und Aussehen, vor.

Informationen und Hilfe für unsere Kunden bietet unsere Website: [www.husqvarna.com](http://www.husqvarna.com)

## Konstruktion und Funktionen

Dies ist ein handgeführter Trennschleifer mit hoher Drehzahl zum Schneiden harter Materialien wie Stein oder Stahl. Das Gerät darf ausschließlich für in diesem Handbuch beschriebene Zwecke verwendet werden. Ein sicherer Betrieb dieses Produkts setzt voraus, dass der Betreiber dieses Handbuch aufmerksam durchliest. Weitere Informationen erhalten Sie von Ihrem Händler oder Husqvarna.

Hier werden einige der Funktionen aufgeführt, die unseren Produkten das entscheidende Plus an Qualität verleihen.

### Active Air Filtration™

Fliehkraft-Luftreinigung für längere Lebensdauer und Wartungsintervalle.

### SmartCarb™

Eingebautes automatisches Filterausgleichssystem zur Aufrechterhaltung der Leistung und Reduzierung des Kraftstoffverbrauchs.

### Dura Starter™

Anlasser mit staubgeschützten Rückstellfeder und Riemenscheibenlager, der damit praktisch wartungsfrei ist und noch zuverlässiger arbeitet.

### X-Torq®

Das optimierte Verhältnis von Drehmoment und Drehzahl im X-Torq®-Motor sorgt für eine maximale Schneidleistung. Mit dem X-Torq®-Motor können der Kraftstoffverbrauch um 20 % und die Schadstoffemissionen um 60 % gesenkt werden.

### EasyStart

Motor und Anlasser tragen zu einem schnellen und reibungslosen Startvorgang bei. Der Zugwiderstand wird am Startseil um bis zu 40 % reduziert. (Der beim Startvorgang erzeugte Druck wird gemindert.)

### Kraftstoffpumpe

Wenn Sie auf die Gummiblase der Kraftstoffpumpe drücken, wird Kraftstoff zum Vergaser gepumpt. Zum Starten der Maschine muss man weniger ziehen (der Motor springt immer leichter an).

### Wasserkühlung und Staubbeseitigungssystem

Weniger Schlamm und niedriger Verbrauch

Hervorragende Staubkontrolle durch einen Nassschnittsatz. Ein modernes Wasserventil für eine genaue Einstellung der Wassermenge, um den Staub effizient zu binden und die Schlammbildung zu reduzieren.



## **Leistungsstarkes Antivibrationssystem**

Antivibrationsdämpfer

## **Drehbares Trennaggregat**

Das Gerät ist mit einem drehbaren Trennaggregat ausgestattet, mit dem nahe an einer Wand oder am Boden gearbeitet werden kann. Eine Einschränkung besteht lediglich durch die Dicke des Klingenschutzes.

## **Intelligente Spannung**

Ein halbautomatisches Riemenspannsystem mit einem Federmechanismus macht es einfach, die richtige Riemenspannung zu erreichen. Der Antriebsriemen kann auch ganz einfach geändert und das Trennaggregat gedreht werden.

## **Speziell konstruierter Starthandgriff (K970 III Rescue)**

Speziell konstruierter Starthandgriff mit Raum für strapazierfähige Handschuhe.

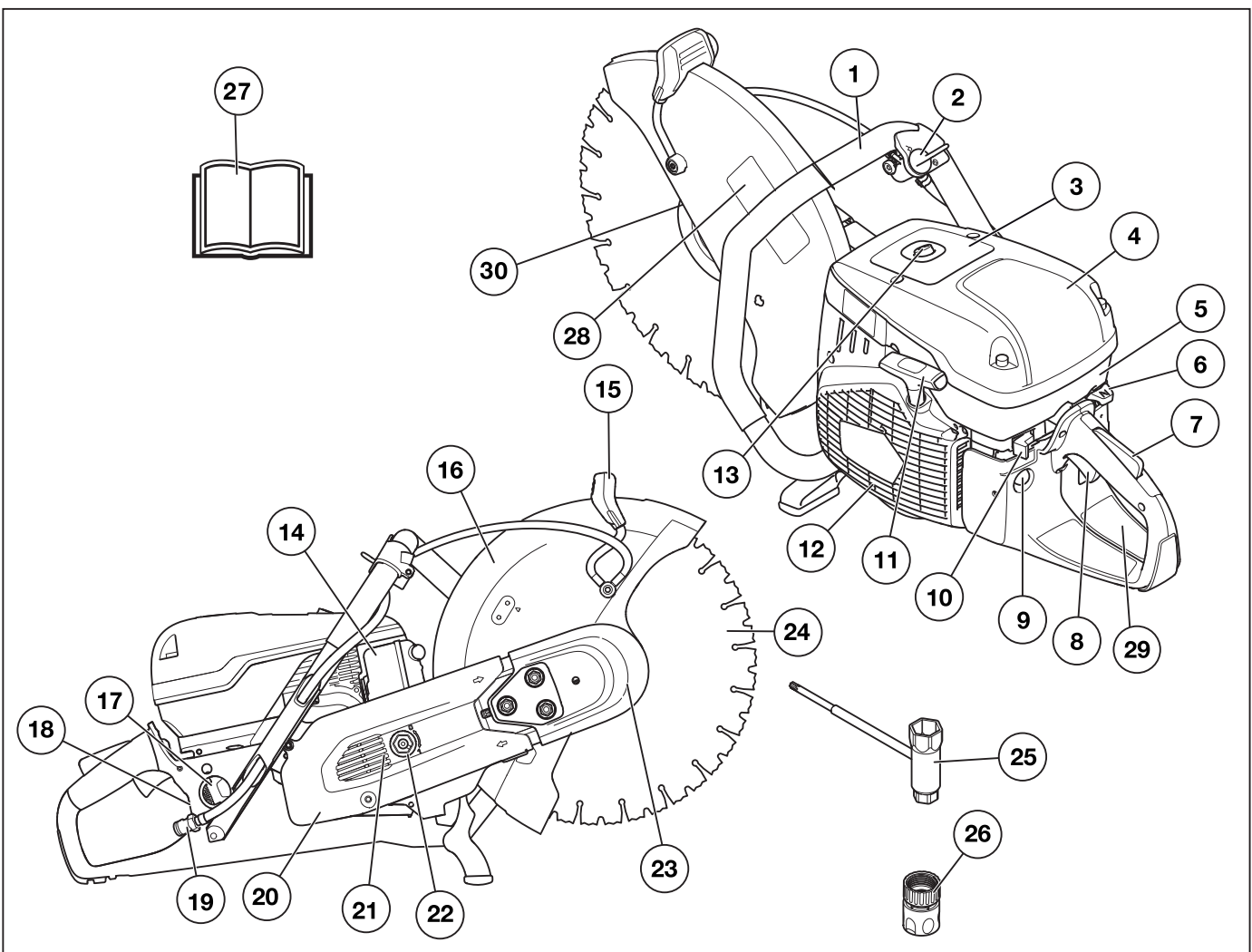
## **Robuster Tragegurt (K970 III Rescue)**

Er verfügt über robuste Haken an beiden Enden und ist selbst mit Handschuhen leicht zu entfernen, anzuschließen und einzustellen. Durch den Gurt lässt sich die Maschine leicht tragen.

## **Reflektierender Klingenschutz (K970 III Rescue)**

Ein reflektierender Klingenschutz, der auch bei Rauch und Spritzwasser zu sehen ist, erhöht die Klingenkontrolle.

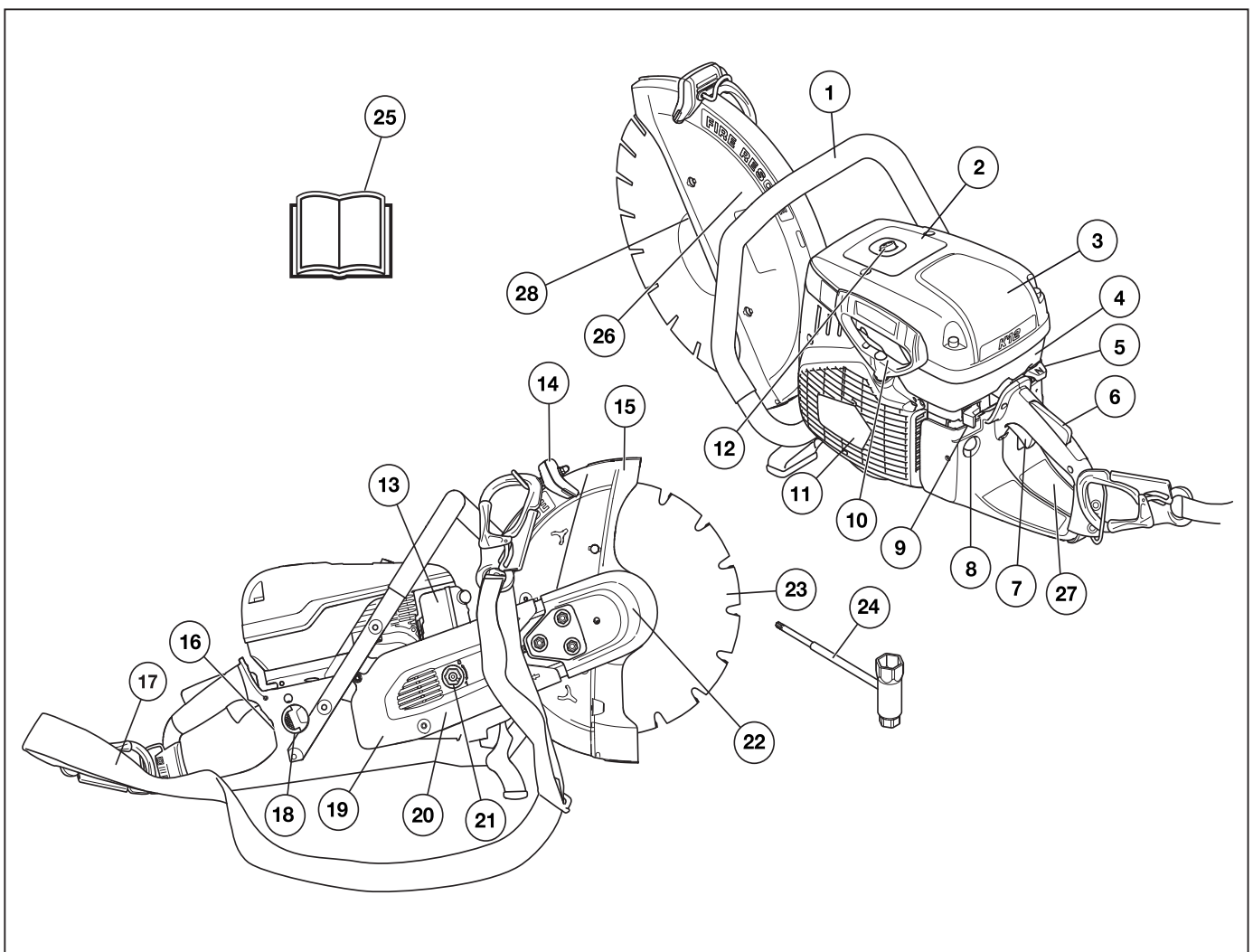
# VORSTELLUNG



## Was ist was am Trennschleifer - K970 III?

- |                                 |   |
|---------------------------------|---|
| 1 Vorderer Handgriff            | 16 Schutz für die Trennscheibe  |
| 2 Wasserhahn                    | 17 Tankdeckel   |
| 3 Warnschild                    | 18 Typenschild  |
| 4 Luftfiltergehäuse             | 19 Wasseranschluss mit Filter   |
| 5 Zylinderdeckel                | 20 Riemenschutz   |
| 6 Chokehebel mit Startgassperre | 21 Trennarm   |
| 7 Gashebelsperre                | 22 Spannrolle   |
| 8 Gashebel                      | 23 Trennaggregat  |
| 9 Kraftstoffpumpe               | 24 Trennscheibe (nicht mitgeliefert)  |
| 10 Stoppschalter                | 25 Kombischlüssel   |
| 11 Starthandgriff               | 26 Wasseranschluss, GARDENA®  |
| 12 Startvorrichtung             | 27 Bedienungsanweisung  |
| 13 Dekompressionsventil         | 28 Aufkleber Schneidausrüstung  |
| 14 Schalldämpfer                | 29 Aufkleber Start-Anweisungen  |
| 15 Einstellhandgriff für Schutz | 30 Flansch, Spindel, Buchse (siehe Anweisungen im Abschnitt Montage und Einstellungen“) |

# VORSTELLUNG



## Was ist was am Trennschleifer - K970 III Rescue?

- |                                 |   |
|---------------------------------|---|
| 1 Vorderer Handgriff            | 15 Schutz für die Trennscheibe  |
| 2 Warnschild                    | 16 Typenschild  |
| 3 Luftfiltergehäuse             | 17 Gurtsystem   |
| 4 Zylinderdeckel                | 18 Tankdeckel   |
| 5 Chokehebel mit Startgassperre | 19 Riemenschutz   |
| 6 Gashebelsperre                | 20 Trennarm   |
| 7 Gashebel                      | 21 Spannrolle   |
| 8 Kraftstoffpumpe               | 22 Trennaggregat  |
| 9 Stoppschalter                 | 23 Trennscheibe (nicht mitgeliefert)  |
| 10 Starthandgriff               | 24 Kombischlüssel   |
| 11 Startvorrichtung             | 25 Bedienungsanweisung  |
| 12 Dekompressionsventil         | 26 Aufkleber Schneidausrüstung  |
| 13 Schalldämpfer                | 27 Aufkleber Start-Anweisungen  |
| 14 Einstellhandgriff für Schutz | 28 Flansch, Spindel, Buchse (siehe Anweisungen im Abschnitt Montage und Einstellungen*) |

# SICHERHEITSAUSRÜSTUNG DES GERÄTES

## Allgemeines



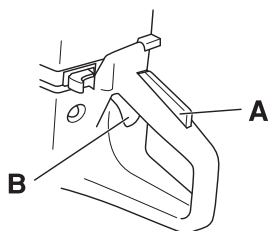
**WARNUNG! Benutzen Sie nie ein Gerät mit defekter Sicherheitsausrüstung. Wenn Ihr Gerät den Kontrollanforderungen nicht entspricht, muss eine Servicewerkstatt aufgesucht werden.**

**Das Gerät muss nach dem Betrieb ausgeschaltet werden. Der Stoppschalter wird dazu in die Position STOP gebracht.**

In diesem Abschnitt werden einzelnen Teile der Sicherheitsausrüstung des Gerätes beschrieben, welche Funktion sie haben und wie ihre Kontrolle und Wartung ausgeführt werden sollen, um sicherzustellen, dass sie funktionsfähig sind.

## Gashebelsperre

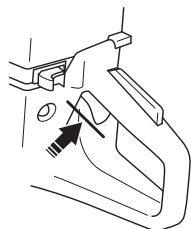
Die Gashebelsperre ist dafür konstruiert, eine unbeabsichtigte Aktivierung des Gashebels zu verhindern. Wird die Sperre (A) gedrückt, wird der Gashebel (B) freigegeben.



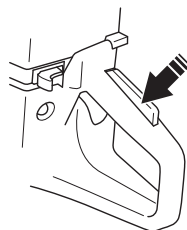
Die Sperre bleibt gedrückt, solange der Gashebel gedrückt ist. Wenn der Handgriff losgelassen wird, gehen sowohl Gashebel als auch Gashebelsperre in ihre jeweiligen Ausgangspositionen zurück. Dies geschieht durch zwei voneinander unabhängige Rückzugfedersysteme. Diese Stellung bedeutet, dass der Gashebel automatisch im Leerlauf gesperrt wird.

## Überprüfung der Gashebelsperre

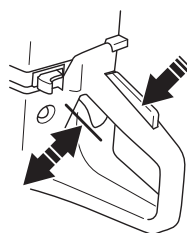
- Kontrollieren, ob der Gashebel in Leerlaufstellung gesichert ist, wenn sich die Gashebelsperre in Ausgangsstellung befindet.



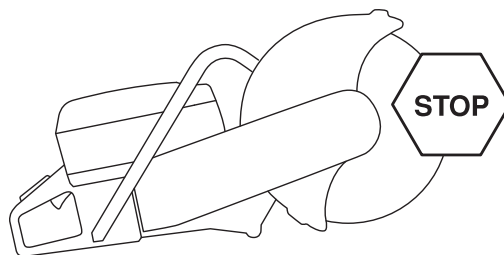
- Die Gashebelsperre eindrücken und kontrollieren, ob sie in die Ausgangsstellung zurückkehrt, wenn sie losgelassen wird.



- Kontrollieren, ob Gashebel und Gashebelsperre mit dem dazugehörigen Rückzugfedersystem leicht funktionieren.

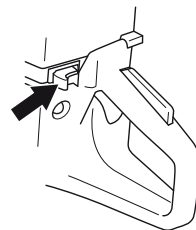


- Trennscheifer starten und Vollgas geben. Den Gashebel loslassen und kontrollieren, ob die Trennscheibe völlig zum Stillstand kommt. Wenn die Trennscheibe rotiert, während sich der Gashebel in Leerlaufstellung befindet, ist die Leerlaufstellung des Vergasers zu kontrollieren. Siehe die Anweisungen im Abschnitt "Wartung".



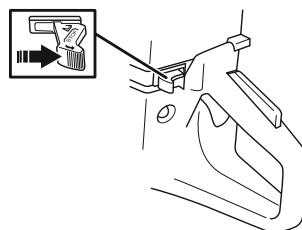
## Stoppschalter

Mit dem Stoppschalter wird der Motor abgestellt.



## Überprüfung des Stoppschalters

- Den Motor starten und kontrollieren, ob der Motor stoppt, wenn der Stoppschalter in Stoppstellung geführt wird.



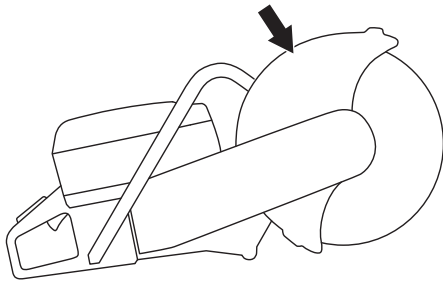
# SICHERHEITSAUSRÜSTUNG DES GERÄTES

## Schutz für die Trennscheibe



**WARNUNG!** Vor dem Starten der Maschine stets prüfen, dass der Schutz korrekt montiert ist.

Diese Schutzeinrichtung sitzt über der Trennscheibe und verhindert, dass Splitter der Trennscheibe oder des geschnittenen Materials auf den Bediener geschleudert werden.



## Zustandsprüfung von Trennscheibe und Klingenschutz

- Klingenschutz über der Trennscheibe auf Risse oder andere Schäden untersuchen. Bei Beschädigungen austauschen.
- Kontrollieren Sie auch, ob die Trennscheibe korrekt montiert ist und keine Schäden aufweist. Eine beschädigte Trennscheibe kann Personenschäden verursachen.

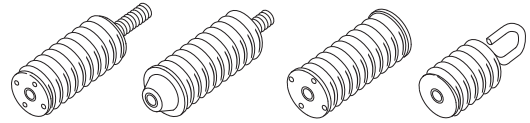
## Antivibrationssystem



**WARNUNG!** Personen mit Blutkreislaufstörungen, die zu oft Vibrationen ausgesetzt werden, laufen Gefahr, Schäden an den Blutgefäßen oder am Nervensystem davonzutragen. Gehen Sie zum Arzt, wenn Sie an Ihrem Körper Symptome feststellen, die darauf hinweisen, dass Sie übermäßigen Vibrationen ausgesetzt waren. Beispiele für solche Symptome sind: Einschlafen von Körperteilen, Gefühlsverlust, Jucken, Stechen, Schmerzen, Verlust oder Beeinträchtigung der normalen Körperkraft, Veränderungen der Hautfarbe oder der Haut. Diese Symptome treten üblicherweise in Fingern, Händen und Handgelenken auf. Bei niedrigen Temperaturen können sich diese Symptome verstärken.

- Das Gerät ist mit einem Antivibrationssystem ausgerüstet, das die Vibrationen wirkungsvoll dämpft und so für angenehmere Arbeitsbedingungen sorgt.
- Das Antivibrationssystem reduziert die Übertragung von Vibrationen zwischen Motoreinheit/Schneidausrüstung und dem Handgriffsystem des Gerätes. Motorkörper und Schneidausrüstung sind

mit sog. Devibrierelementen an der Handgriffeinheit aufgehängt.



## Überprüfung des Antivibrationssystems



**WARNUNG!** Das Gerät muss nach dem Betrieb ausgeschaltet werden. Der Stoppschalter wird dazu in die Position STOP gebracht.

- Dämpfungselemente regelmäßig auf Risse und Verformungen untersuchen. Austauschen, wenn sie defekt sind.
- Kontrollieren, ob die Vibrationsdämpfungselemente fest zwischen Motoreinheit und Handgriffeinheit verankert sind.

## Schalldämpfer

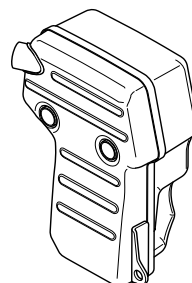


**WARNUNG!** Geräte ohne bzw. mit defekten Schalldämpfern sollen niemals eingesetzt werden. Ein defekter Schalldämpfer kann Geräuschpegel und Feuergefahr erheblich steigern. Stets eine Feuerlöschschrüstung in Reichweite haben.

Der Schalldämpfer wird sowohl im und nach dem Betrieb als auch im Leerlauf sehr heiß. Die Brandgefahr beachten, besonders wenn sich feuergefährliche Stoffe und/oder Gase in der Nähe befinden.

Stets eine Feuerlöschschrüstung in Reichweite haben.

Der Schalldämpfer soll den Geräuschpegel so weit wie möglich senken und die Abgase des Motors vom Anwender fernhalten.



## Kontrolle des Schalldämpfers

Regelmäßig prüfen, ob der Schalldämpfer intakt ist und ordentlich fest sitzt.

# TRENNSCHEIBEN

## Allgemeines



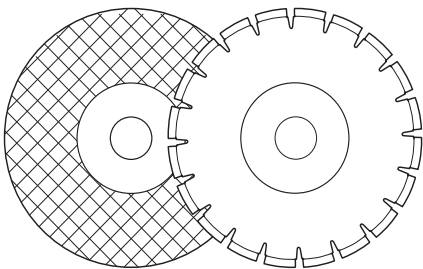
**WARNUNG!** Schleifscheiben können kaputtgehen und schwere Schäden oder Verletzungen verursachen.

Der Hersteller der Trennscheibe gibt Warnungen und Empfehlungen für die Verwendung und die angemessene Pflege der Trennscheibe. Diese Warnhinweise sind im Lieferumfang der Trennscheibe enthalten. Lesen und befolgen Sie alle Anweisungen des Trennscheiben-Herstellers.

Die Trennscheibe sollte vor der Montage auf der Säge und in regelmäßigen Abständen während der Benutzung überprüft werden. Auf Risse, verlorene Segmente (Diamantklingen) oder abgebrochene Teile kontrollieren. Keine schadhafte Trennscheibe verwenden.

**Korrekten Zustand jeder neuen Trennscheibe durch Betrieb bei Vollgas (ca. 1 Minute) kontrollieren.**

- Trennscheiben gibt es in zwei Grundauführungen: Schleifscheiben und Diamantscheiben.



- Trennscheiben von hoher Qualität sind oftmals die wirtschaftlichste Alternative. Trennscheiben von geringer Qualität haben oft ein schlechteres Schneidvermögen und eine kürzere Lebensdauer, was zu höheren Kosten im Verhältnis zum geschnittenen Material führt.
- Darauf achten, dass für die Trennscheibe jeweils die richtige Buchse montiert wird. Siehe Anweisungen unter Montage der Trennscheibe“.

## Geeignete Trennscheiben

Trennscheiben	K970 III	K970 III Rescue
Schleifscheiben	Ja*	Ja*
Diamantscheiben	Ja	Ja
Gezahnte Klingen	Niemals	Ja**

Weitere Informationen finden Sie im Abschnitt „Technische Daten“.

\*Ohne Wasser

\*\*Siehe Anweisungen unter „Gezahnte Klingen, Klingen mit Karbidspitzen und Notsituationen“.

## Trennscheiben für diverse Werkstoffe



**WARNUNG!** Trennscheiben sind ausschließlich für das vorgesehene Material zu verwenden.

Keine Diamantklinge zum Schneiden von Kunststoff verwenden. Die hohe Hitzeentwicklung während des Schneidens kann dazu führen, dass der Kunststoff schmilzt und an der Trennscheibe klebt und es zu einem Rückschlag kommt.

Beim Schneiden von Metall entstehen Funken, die einen Brand verursachen können. Verwenden Sie das Gerät nicht in der Nähe von brennbaren Materialien oder Gasen.

Der mitgelieferten Anleitung entnehmen Sie, für welche Zwecke die Trennscheibe geeignet ist. Wenn Sie weiterhin Fragen haben, setzen Sie sich mit Ihrem Händler in Verbindung.

	Beton	Metall	Plastik	Gusseisen
<b>Schleifscheiben</b>	X	X	X	X
<b>Diamantscheiben</b>	X	X*		X*

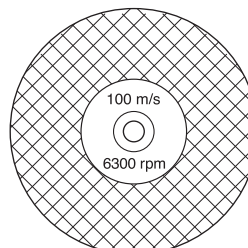
\* Nur Spezialklingen

## Handgeräte mit hoher Geschwindigkeit



**WARNUNG!** Niemals eine Trennscheibe mit niedrigerer Höchstdrehzahl als der Trennschleifer verwenden. Verwenden Sie die Trennscheiben ausschließlich bei tragbaren Trennschleifern mit hoher Geschwindigkeit.

- Viele Trennscheiben, die auf diesen Trennschleifer passen, sind für stationäre Sägen gedacht und haben eine Nenndrehzahl, die für diese handgeführte Säge zu niedrig ist. Trennscheiben mit einer niedrigeren Nenndrehzahl sollten in dieser Säge nicht verwendet werden.
- Trennscheiben von Husqvarna sind für handgeführte Trennschleifer mit hoher Drehzahl vorgesehen.
- Trennscheiben müssen mit der gleichen oder einer höheren Drehzahl als derjenigen gekennzeichnet sein, die auf dem Typenschild des Geräts angegeben ist. Niemals eine Trennscheibe mit niedrigerer Höchstdrehzahl als der Trennschleifer verwenden.



# TRENNSCHEIBEN

## Trennscheibenvibrationen

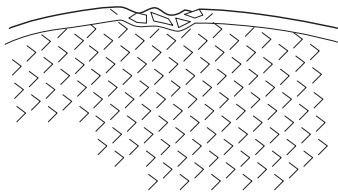
- Die Scheibe kann unrund werden und vibrieren, wenn ein zu hoher Druck ausgeübt wird.
- Ein niedrigerer ausgeübter Druck kann die Vibration mindern. Andernfalls die Scheibe austauschen.

## Schleifscheiben

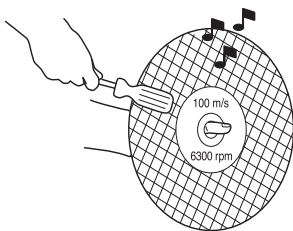


**WARNUNG! Schleifscheiben dürfen nicht mit Wasser in Berührung kommen. Nässe oder Feuchte können die Leistung von Schleifscheiben beeinträchtigen und erhöhen die Bruchgefahr.**

- Das schneidende Material in den Schleifscheiben besteht aus Schleifkörnern, die durch organische Bindemittel zusammengehalten werden. Die "materialverstärkten" Trennscheiben sind auf Textil- oder Faserbasis aufgebaut, die ein totales Zerspringen bei Höchstdrehzahl verhindert, wenn die Trennscheibe reißt oder beschädigt wird.
- Die Leistung der Trennscheibe hängt von Typ und Größe der Schleifpartikel und von Typ und Härte des Bindematerials ab.
- Kontrollieren Sie die Trennscheibe auf Beschädigungen und Risse.



- Die Abrasivscheibe prüfen, indem man sie auf einen Finger hängt und mit einem Schraubenziehergriff o. Ä. leicht dagegen schlägt. Gibt die Scheibe keinen vollen, klingenden Ton von sich, ist sie beschädigt.



## Schleifscheiben für diverse Werkstoffe

Scheibentyp	Material
Scheiben für Beton	Beton, Asphalt, Stein, Mauerwerk, Gusseisen, Aluminium, Kupfer, Messing, Kabel, Gummi, Kunststoff usw.
Scheiben für Metall	Stahl, Stahllegierungen und andere Hartmetalle.

## Diamantscheiben

### Allgemeines

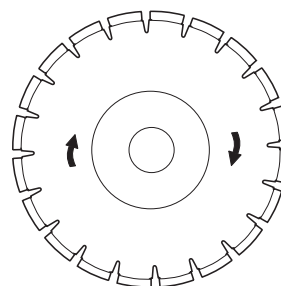


**WARNUNG! eine Diamantklinge zum Schneiden von Kunststoff verwenden. Die hohe Hitzeentwicklung während des Schneidens kann dazu führen, dass der Kunststoff schmilzt und an der Trennscheibe klebt und es zu einem Rückschlag kommt.**

Während des Einsatzes können Diamantscheiben sehr heiß werden. Überhitzung an der Klinge entsteht als Folge unsachgemäßer Verwendung und kann zu Verformungen der Trennscheibe und damit zu Sach- und Personenschäden führen.

Beim Schneiden von Metall entstehen Funken, die einen Brand verursachen können. Verwenden Sie das Gerät nicht in der Nähe von brennbaren Materialien oder Gasen.

- Diamantklingen bestehen aus einem Stahlkörper mit Segmenten mit Industriediamanten.
- Diamantklingen sorgen für niedrigere Kosten pro Schneidvorgang, selteneren Klingenaustausch und konstante Schnitttiefe.
- Bei Anwendung einer Diamantscheibe dafür sorgen, dass diese in die Richtung rotiert, die der Pfeil auf der Scheibe angibt.



## Diamantscheiben für diverse Werkstoffe

- Diamantscheiben werden vorzugsweise für alle Arten von Mauerwerk, armierten Beton und andere zusammengesetzte Materialien verwendet.
- Diamantklingen sind in mehreren Härtegraden erhältlich.
- Beim Schneiden von Metall sollen Spezialklingen eingesetzt werden. Bei der Wahl des richtigen Produkts einen Fachhändler um Rat fragen.

---

# TRENNSCHEIBEN

---

## Schärfen von Diamantscheiben

- Immer eine scharfe Diamantscheibe benutzen.
- Diamantscheiben können stumpf werden, wenn der falsche Druck ausgeübt oder wenn damit bestimmtes Material wie beispielsweise stark armerter Beton geschnitten wird. Die Arbeit mit einer stumpfen Diamantklinge führt zu Überhitzung, die dazu führen kann, dass sich Diamantsegmente lösen.
- Die Klinge durch Schneiden in einem weichen Material wie Sand- oder Ziegelstein schleifen.

## Diamantklingen und Kühlung

- Die während des Schneidens entstehende Reibung führt zur einer Erwärmung der Diamantklinge. Wenn Sie die Trennscheibe zu heiß werden lassen, kann dies zu einem Spannungsverlust oder zu einem Kernriss in der Trennscheibe führen.

## Diamantklingen für den Trockenschnitt

- Obwohl für die Kühlung kein Wasser erforderlich ist, müssen trockene Trennscheiben durch Luftstrom gekühlt werden. Aus diesem Grund werden trockene Trennscheiben nur für unregelmäßige Schnittbedingungen empfohlen. Alle paar Sekunden während des Schneidens sollte die Trennscheibe frei“ und ohne Last laufen, damit der Luftstrom um die Trennscheibe herum die Hitze abschwächt.

## Diamantklingen für den Nassschnitt

- Diamantklingen für den Nassschnitt müssen mit Wasser verwendet werden, um den Trennscheibenkern und die Segmente während des Sägens kühl zu halten.
- Nasstrennscheiben dürfen NICHT trocken verwendet werden.
- Die Verwendung von Nassschnitt-Trennscheiben ohne Wasser kann zu übermäßiger Hitzeentwicklung und damit zu schwacher Leistung sowie schwerer Beschädigung der Trennscheiben führen und stellt deshalb ein Sicherheitsrisiko dar.
- Die Wasser kühlt die Trennscheibe, wodurch sich ihre Lebensdauer verlängert und die Staubbildung reduziert wird.

## Gezahnte Klingen, Klingen mit Karbidspitzen und Notsituationen

Spezialklingen mit Karbidspitzen dürfen nur durch geschulte Einsatzkräfte bei Rettungseinsätzen verwendet werden.

## Transport und Aufbewahrung

- Lagern oder transportieren Sie den Trennschleifer nicht mit montierter Trennscheibe. Nach der Anwendung des Trennschleifers müssen sämtliche Trennscheiben entfernt und sorgfältig gelagert werden.
- Die Trennscheibe trocken und frostgeschützt lagern. Besondere Sorgfalt ist bei Schleifscheiben geboten. Schleifscheiben müssen flach auf einer ebenen Fläche gelagert werden. Wird eine Abrasivscheibe feucht gelagert, kann dies eine Unwucht mit Schäden zur Folge haben.
- Neue Trennscheiben müssen vor dem Gebrauch auf Transport- und Lagerschäden untersucht werden.



# MONTAGE UND EINSTELLUNGEN

## Allgemeines



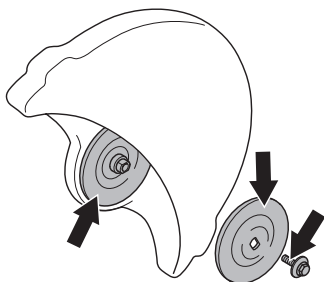
**WARNUNG!** Das Gerät muss nach dem Betrieb ausgeschaltet werden. Der Stoppschalter wird dazu in die Position STOP gebracht.

Die Trennscheiben von Husqvarna sind Hochdrehzahltrennscheiben, die für handgeführte Trennschleifer zugelassen sind.

## Prüfen der Spindelwelle und der Flanschscheibe

Wenn die Klinge mit einer neuen ersetzt wird, prüfen Sie die Flanschscheibe und die Spindelwelle.

- Kontrollieren Sie, ob die Gewinde der Spindelwelle unbeschädigt sind.
- Kontrollieren Sie, ob die Kontaktflächen der Klinge und die Flanschscheiben unbeschädigt und sauber sind, die korrekten Maße besitzen und ordnungsgemäß auf der Spindelwelle arbeiten.



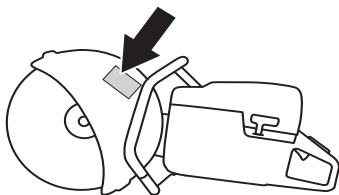
Verwenden Sie nur die von Husqvarna mitgelieferten Flanschscheiben, min. Durchmesser 105 mm.

Keine schiefen, beschädigten oder schmutzigen Flanschscheiben verwenden. Keine Flanschscheiben mit unterschiedlichen Durchmessern verwenden.

## Überprüfen der Buchse

Die Trennscheibenbuchsen dienen zur Einpassung des Geräts in das Mittelloch der Trennscheibe.

Die Maschine wird mit einer Buchse geliefert, die umgedreht werden kann, um auf 20 mm oder 1 Zoll (25,4 mm) zu passen. Auf dem Aufkleber auf dem Klingenschutz steht die korrekte Trennscheiben-Spezifikation.

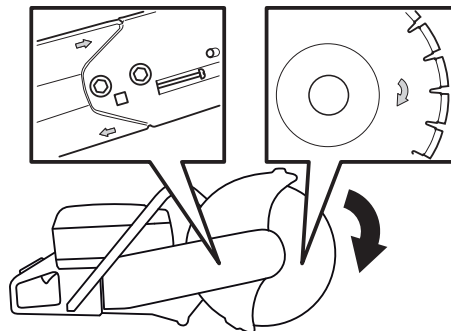


- Stellen Sie sicher, dass die Buchse an der Spindelwelle mit dem Mittelloch der Trennscheibe übereinstimmt. Der Durchmesser des Mittellochs ist auf den Trennscheiben vermerkt.

Nur von Husqvarna gelieferte Buchsen verwenden. Diese Buchsen wurden speziell für Ihren Trennschleifer entwickelt.

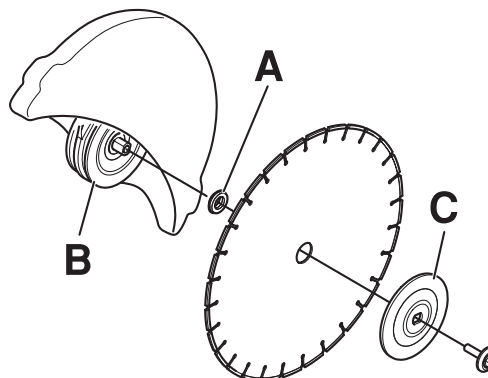
## Überprüfen der Drehrichtung der Trennscheibe

- Bei Anwendung einer Diamantscheibe dafür sorgen, dass diese in die Richtung rotiert, die der Pfeil auf der Scheibe angibt. Die Drehrichtung bei dem entsprechenden Gerät wird durch Pfeile am Trennarm angezeigt.

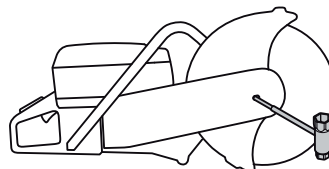


## Montage der Trennscheibe

- Die Scheibe wird auf der Buchse (A) zwischen der inneren Flanschscheibe (B) und der Flanschscheibe (C) angebracht. Die Flanschscheibe wird gedreht, sodass sie auf die Welle passt.



- Welle sperren. Führen Sie ein Werkzeug in das Trennaggregat ein und drehen Sie die Klinge, bis diese einrastet.



- Die Schraube, die die Trennscheibe hält, mit einem Anziehmoment von 25 Nm anziehen.

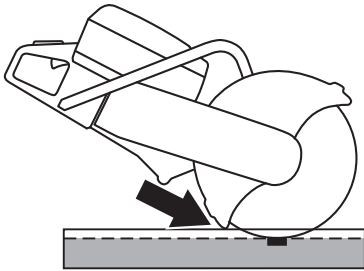
# MONTAGE UND EINSTELLUNGEN

## Schutz für die Trennscheibe

Der Schutz für die Schneidausrüstung ist so einzustellen, dass der hintere Teil an das Werkstück anliegt. Spritzer und Funken vom geschnittenen Material werden so vom Schutz aufgefangen und vom Bediener weggeleitet.

Der Klingenschutz ist kraftschlüssig.

- Drücken Sie die Enden des Klingenschutzes gegen das Werkstück oder passen Sie den Klingenschutz mit dem Einstellungsgriff an. Der Schutz muss stets an der Maschine angebracht sein.



## Drehbares Trennaggregat

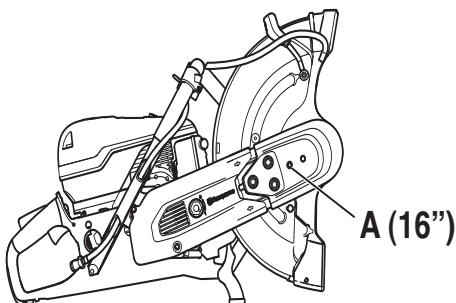
Das Gerät ist mit einem drehbaren Trennaggregat ausgestattet, mit dem nahe an einer Wand oder am Boden gearbeitet werden kann. Eine Einschränkung besteht lediglich durch die Dicke des Klingenschutzes.

Wenn Sie mit einem umgedrehten Trennaggregat schneiden, lässt sich die Maschine bei einem Rückschlag nur schwer steuern. Die Trennscheibe befindet sich in größerem Abstand zur Mitte, sodass Griff und Trennscheibe nicht auf einer Linie liegen. Wenn sich die Trennscheibe verklemmt oder im Rückschlag-Gefahrenbereich festsetzt, lässt sich das Gerät schwerer festhalten. Im Kapitel "Rückschlag" im Abschnitt "Betrieb" erhalten Sie weitere Informationen.

Zudem wird ein Teil der positiven ergonomischen Eigenschaften des Gerätes, z. B. das Gleichgewicht, außer Kraft gesetzt. Das Schneiden mit einem gedrehten Trennaggregat sollte nur für Schnitte erfolgen, die in der Standardeinstellung nicht durchgeführt werden können.

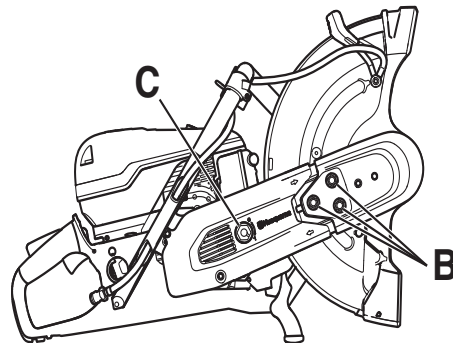
### Gilt nur für 16'

- Lösen Sie die zusätzliche Schraube (A), die den oberen Riemenschutz sichert.

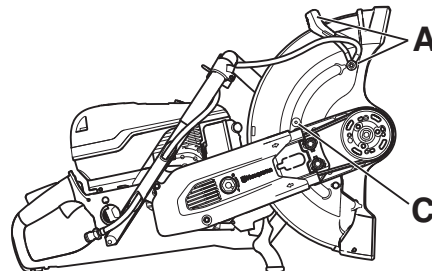


### Folgendes gilt sowohl für 14' als auch für 16'

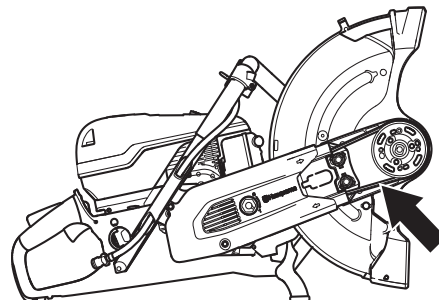
- Lösen Sie die drei Muttern (B), die den oberen Riemenschutz sichern. Drehen Sie den Riemenspanner (C) in die Stellung 0°, um die Spannung zu lösen.



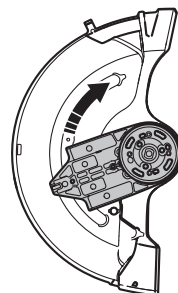
- Entfernen Sie die obere Riemenabdeckung.
- Trennen Sie Wasserschlauch und Griff vom Klingenschutz (A). Entfernen Sie den Anschlag (C).



- Das Trennaggregat ist jetzt lose und kann vom Motor entfernt werden. Riemen von der Riemenscheibe entfernen.

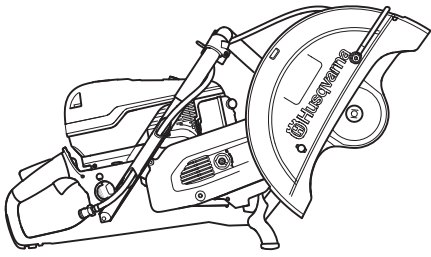


- Drehen Sie das Lagergehäuse in die entgegengesetzte Richtung und bauen Sie den Anschlag wieder ein.

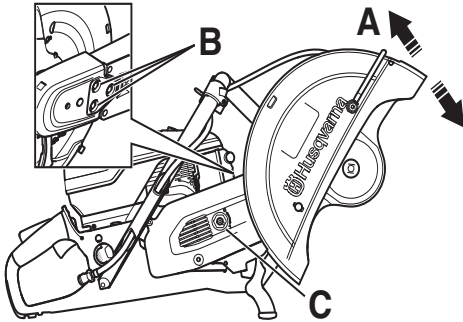


## MONTAGE UND EINSTELLUNGEN

- Befestigen Sie das Trennaggregat an der anderen Seite des Trennarms.



- Drehen Sie den Riemen Spanner (C) in die Stellung 1“, um den Antriebsriemen festzuziehen.
- Montieren Sie den Riemen Schutz an das gedrehte Trennaggregat.
- Um die korrekte Riemen Spannung zu erreichen, ziehen Sie die Muttern (B) erst an und lösen Sie sie dann um 1-2 Umdrehungen. Bewegen Sie den Klingenschutz (A) 3-5 Mal nach oben und unten und ziehen Sie dann die Muttern (B) mit dem Kombischlüssel an.



### Gilt nur für 16'

- Ziehen Sie die Zusatzschraube an.
- Wasserschlauchnippel und Schlauch oben auf der dem Klingenschutz gegenüberliegenden Seite montieren.

# UMGANG MIT KRAFTSTOFF

## Allgemeines



**WARNUNG!** Einen Motor in einem geschlossenen oder schlecht belüfteten Raum laufen zu lassen, kann zum Tod durch Erstickten oder Kohlenmonoxidvergiftung führen. Bei der Arbeit in über ein Meter tiefen Baugruben sollen die Lüfter eingeschaltet werden, um eine bessere Luftzirkulation zu gewährleisten.

Kraftstoff und Kraftstoffdämpfe sind sehr feuergefährlich und können beim Einatmen und auf der Haut schwere Verletzungen verursachen. Beim Umgang mit Kraftstoff ist daher Vorsicht geboten und für eine gute Belüftung zu sorgen.

Die Motorabgase sind heiß und können Funken enthalten, die einen Brand verursachen können. Aus diesem Grunde sollte das Gerät niemals im Innenbereich oder in der Nähe von feuergefährlichen Stoffen gestartet werden!

Beim Tanken nicht rauchen und jegliche Wärmequellen vom Kraftstoff fernhalten.

## Kraftstoff

**HINWEIS!** Das Gerät ist mit einem Zweitaktmotor ausgestattet und daher ausschließlich mit einer Mischung aus Benzin und Zweitaktöl zu betreiben. Damit das Mischungsverhältnis richtig ist, muss die beizumischende Ölmenge unbedingt genau abgemessen werden. Wenn kleine Kraftstoffmengen gemischt werden, wirken sich auch kleine Abweichungen bei der Ölmenge stark auf das Mischungsverhältnis aus.

## Benzin

- Bleifreies oder verbleites Qualitätsbenzin verwenden.
- Als niedrigste Oktanzahl wird ROZ 90 empfohlen. Wenn der Motor mit Benzin einer niedrigeren Oktanzahl als 90 betrieben wird, läuft er nicht einwandfrei. Das führt zu erhöhten Motortemperaturen, die schwere Motorschäden verursachen können.
- Wenn kontinuierlich bei hohen Drehzahlen gearbeitet wird, ist eine höhere Oktanzahl zu empfehlen.

## Umweltfreundlicher Kraftstoff

HUSQVARNA empfiehlt die Verwendung von umweltfreundlichem Benzin (sog. Alkylatkraftstoff), entweder fertig gemischtes Zweitaktbenzin von Aspen oder ein Gemisch aus umweltfreundlichem Benzin für

Viertaktmotoren und Zweitaktöl (siehe nachstehend). Beachten, dass beim Wechsel des Kraftstofftyps möglicherweise der Vergaser eingestellt werden muss (siehe die Anweisungen unter "Vergaser").

Ethanol-Kraftstoffgemisch, E10 kann verwendet werden (max. 10 %ige Ethanol-Mischung). Die Verwendung von Ethanol-Mischungen höher als E10 führt zu Magerlauf, der Motorschäden verursachen kann.

## Zweitaktöl

- Das beste Resultat und die beste Leistung wird mit HUSQVARNA-Zweitaktmotoröl erzielt, das speziell für unsere luftgekühlten Zweitaktmotoren hergestellt wird.
- Niemals Zweitaktöl für wassergekühlte Außenbordmotoren, sog. Outboardoil (TCW), verwenden.
- Niemals Öl für Viertaktmotoren verwenden.

## Mischen

- Benzin und Öl stets in einem sauberen, für Benzin zugelassenen Behälter mischen.
- Immer zuerst die Hälfte des Benzins, das gemischt werden soll, einfüllen. Danach die gesamte Ölmenge einfüllen. Die Kraftstoffmischung mischen (schütteln). Dann den Rest des Benzins dazugeben.
- Vor dem Einfüllen in den Tank der Maschine die Kraftstoffmischung noch einmal sorgfältig mischen (schütteln).
- Kraftstoff höchstens für einen Monat im Voraus mischen.

## Mischungsverhältnis

- 1:50 (2 %) mit HUSQVARNA-Zweitaktöl o. Ä.

Benzin, Liter	Zweitaktöl, Liter
	2% (1:50)
5	0,10
10	0,20
15	0,30
20	0,40

- 1:33 (3 %) mit anderen Ölen für luftgekühlte Zweitaktmotoren der Klasse JASO FB oder ISO EGB oder nach Empfehlung des Ölherstellers.

# UMGANG MIT KRAFTSTOFF

## Tanken



**WARNUNG! Folgende Vorsichtsmaßnahmen verringern die Feuergefahr:**

**Beim Tanken nicht rauchen und jegliche Wärmequellen vom Kraftstoff fernhalten.**

**Den Motor abstellen und vor dem Tanken einige Minuten abkühlen lassen. Das Gerät muss nach dem Betrieb ausgeschaltet werden. Der Stoppschalter wird dazu in die Position STOP gebracht.**

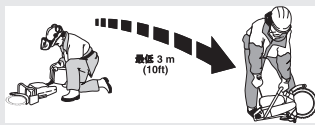
**Den Tankdeckel stets vorsichtig öffnen, so dass sich ein evtl. vorhandener Überdruck langsam abbauen kann.**

**Wischen Sie eventuelle Verschmutzungen um den Tankdeckel ab.**

**Den Tankdeckel nach dem Tanken wieder sorgfältig zudrehen.**

**Wenn der Deckel nicht ordnungsgemäß angezogen ist, kann er sich durch Vibration lockern. Dadurch kann Kraftstoff aus dem Kraftstofftank entweichen und eine Brandgefahr hervorrufen.**

**Das Gerät vor dem Starten mindestens 3 m von der Stelle entfernen, an der getankt wurde.**



Das Gerät niemals starten, wenn:

- Wenn Kraftstoff oder Motoröl auf die Maschine verschüttet wurde: Alles abwischen und restliches Benzin verdunsten lassen.
- Wenn Sie Kraftstoff über sich selbst oder Ihre Kleidung verschüttet haben, ziehen Sie sich um. Waschen Sie die Körperteile, die mit dem Kraftstoff in Berührung gekommen sind. Wasser und Seife verwenden.
- Wenn es Kraftstoff leckt. Tankdeckel und Tankleitungen regelmäßig auf Undichtigkeiten überprüfen.
- Deshalb muss der Tankdeckel nach dem Auftanken fest verschlossen werden.

## Transport und Aufbewahrung

- Das Gerät und den Kraftstoff so transportieren und aufbewahren, dass bei eventuellen Undichtigkeiten entweichende Dämpfe oder Kraftstoff nicht mit Funken oder offenem Feuer in Kontakt kommen können, z. B. von Elektrogeräten, Elektromotoren, elektrischen Kontakten/Schaltern oder Heizkesseln.
- Zum Transport und zur Aufbewahrung von Kraftstoff sind speziell für diesen Zweck vorgesehene und zugelassene Behälter zu verwenden.

## Langzeitaufbewahrung

- Bei längerer Aufbewahrung des Geräts ist der Kraftstofftank zu leeren. An der nächsten Tankstelle können Sie erfahren, wie Sie überschüssigen Kraftstoff am besten entsorgen.

## Schutzausrüstung

### Allgemeines

- Das Gerät niemals benutzen, wenn nicht die Möglichkeit besteht, im Falle eines Unfalls Hilfe herbeizurufen.

### Persönliche Schutzausrüstung

Bei der Benutzung des Gerätes muss die vorgeschriebene persönliche Schutzausrüstung angewendet werden. Die persönliche Schutzausrüstung beseitigt nicht die Unfallgefahr, begrenzt aber den Umfang der Verletzungen und Schäden. Bei der Wahl der Schutzausrüstung einen Fachhändler um Rat fragen.



**WARNUNG! Bei der Nutzung von Produkten, die schneiden, schleifen, bohren, feine Schleifvorgänge ausführen oder Material formen kann es zu einer Bildung von Staub und Dämpfen kommen, die schädliche chemische Substanzen enthalten. Informieren Sie sich über die Beschaffenheit des Materials, mit dem Sie arbeiten und tragen Sie einen geeigneten Atemschutz.**

**Eine längerfristige Beschallung mit Lärm kann zu bleibenden Gehörschäden führen. Stets einen zugelassenen Gehörschutz tragen. Immer genau auf Warnsignale oder Zurufe achten, wenn Sie den Gehörschutz tragen. Gehörschutz immer abnehmen, sobald der Motor abgestellt ist.**

Benutzen Sie immer:

- Einen zugelassenen Schutzhelm
- Gehörschutz
- Zugelassener Augenschutz. Bei der Benutzung eines Visiers ist auch eine zugelassene Schutzbrille zu tragen. Zugelassene Schutzbrillen sind in diesem Falle diejenigen, die die Normen ANSI Z87.1 für die USA bzw. EN 166 für EU-Länder erfüllen. Visiere müssen der Norm EN 1731 entsprechen.
- Atemschutzmaske
- Feste, griffsichere Handschuhe.
- Eng anliegende, kräftige und bequeme Kleidung tragen, die volle Bewegungsfreiheit gewährt. Durch Schneiden werden Funken erzeugt, die Ihre Kleidung entzünden können. Husqvarna empfiehlt das Tragen von feuerfester Baumwolle oder schwerem Jeansstoff. Tragen Sie keine Kleidung aus Materialien wie Nylon, Polyester oder Viskose. Im Falle einer Entzündung kann dieses Material schmelzen und an der Haut kleben bleiben. Keine kurzen Hosen tragen.
- Stiefel mit Stahlkappe und rutschfester Sohle.

## Weitere Schutzmaßnahmen



**ACHTUNG! Beim Betrieb des Gerätes können Funken einen Brand verursachen. Deshalb soll die Feuerlöschschrüstung stets in Reichweite aufbewahrt werden.**

- Feuerlöscher
- Ein Erste-Hilfe-Set soll immer griffbereit sein.

## Allgemeine Sicherheitsvorschriften

In diesem Abschnitt werden grundlegende Sicherheitsregeln vorgestellt. Die folgenden Informationen sind kein Ersatz für das Wissen, das ein professioneller Anwender durch seine Ausbildung und praktische Erfahrung erworben hat.

- Lesen Sie die Bedienungsanweisung sorgfältig durch und machen Sie sich mit dem Inhalt vertraut, bevor Sie das Gerät benutzen. Vor der erstmaligen Benutzung der Maschine wird eine praktische Einweisung empfohlen.
- Denken Sie stets daran, dass Sie als Bediener für eventuell dadurch entstehende Sach- und Personenschäden verantwortlich sind.
- Die Maschine ist sauber zu halten. Die Lesbarkeit aller Schilder und Aufkleber muss gewährleistet werden.

## Stets mit gesundem Menschenverstand arbeiten!

Es ist unmöglich, alle denkbaren Situationen abzudecken, die beim Gebrauch des Geräts auftreten könnten. Gehen Sie stets mit Vorsicht und Vernunft vor. Lassen Sie sich bei Unsicherheiten von einer Fachkraft beraten. Fragen Sie Ihren Fachhändler, Ihre Servicewerkstatt oder einen erfahrenen Anwender. Führen Sie keine Arbeiten aus, wenn Unsicherheiten bezüglich der richtigen Vorgehensweise bestehen.



**WARNUNG! Das Gerät kann falsch oder nachlässig angewendet gefährlich sein und zu schweren oder gar lebensgefährlichen Verletzungen des Benutzers oder anderer Personen führen.**

**Niemals Kinder oder andere Personen, die nicht mit der Handhabung der Maschine vertraut sind, die Maschine bedienen oder warten lassen.**

**Lassen Sie niemals jemand anderen das Gerät benutzen, ohne sich zu vergewissern, dass die Person den Inhalt der Bedienungsanweisung verstanden hat.**

**Niemals das Gerät verwenden, wenn Sie müde sind, Alkohol getrunken oder Medikamente eingenommen haben, die Ihre Sehkraft, Urteilsvermögen oder Körperkontrolle beeinträchtigen können.**

# BETRIEB



**WARNUNG!** Unzulässige Änderungen und/oder Zubehörteile können zu schweren Verletzungen oder tödlichen Unfällen von Anwendern oder anderen Personen führen. Unter keinen Umständen darf die ursprüngliche Konstruktion des Gerätes ohne Genehmigung des Herstellers geändert werden.

Das Gerät nicht so modifizieren, dass es nicht länger mit der Originalausführung übereinstimmt, und nicht benutzen, wenn es scheinbar von anderen modifiziert wurde.

Niemals mit einem defekten Gerät arbeiten. Die Kontroll-, Wartungs- und Serviceanweisungen in dieser Bedienungsanleitung sind genau zu befolgen. Gewisse Wartungs- und Servicemaßnahmen sind von geschulten, qualifizierten Fachleuten auszuführen. Siehe Anweisungen unter dem Titel **Wartung**.

Es ist immer Originalzubehör zu verwenden.



**WARNUNG!** Diese Maschine erzeugt beim Betrieb ein elektromagnetisches Feld. Dieses Feld kann sich unter bestimmten Bedingungen auf die Funktionsweise aktiver oder passiver medizinischer Implantate auswirken. Um die Gefahr für schwere oder tödliche Verletzungen auszuschließen, sollten Personen mit einem medizinischen Implantat vor der Nutzung dieser Maschine ihren Arzt und den Hersteller des Implantats konsultieren.

## Sicherheit im Arbeitsbereich



**WARNUNG!** Der Sicherheitsabstand für den Trennschleifer beträgt 15 Meter. Sie sind dafür verantwortlich, dass sich keine Zuschauer oder Tiere im Arbeitsbereich befinden. Erst mit dem Schneiden beginnen, wenn der Arbeitsbereich frei ist und Sie sicher stehen.

- Überprüfen Sie Ihre Umgebung auf mögliche Störquellen hin, die Ihre Aufmerksamkeit ablenken könnten.
- Es dürfen keine Personen oder Gegenstände in Berührung mit der Schneidausrüstung kommen oder von Teilen getroffen werden können, die von der Trennscheibe umhergeschleudert werden.

- Vermeiden Sie es, das Gerät bei schlechtem Wetter zu benutzen. Z.B. bei dichtem Nebel, starkem Regen oder Wind, großer Kälte usw. Das Arbeiten bei schlechtem Wetter ist sehr ermüdend und kann gefährliche Umstände herbeiführen, z. B. Rutschgefahr.
- Beginnen Sie niemals mit der Arbeit, bevor der Arbeitsbereich frei ist und Sie einen sicheren Stand haben. Achten Sie auf eventuelle Hindernisse, die im Wege sein können, wenn Sie sich plötzlich bewegen müssen. Stellen Sie sicher, daß kein Material herunterfallen und Schäden verursachen kann. Bei Arbeiten in abschüssigem Gelände muß größte Vorsicht walten.
- Sorgen Sie dafür, daß der Arbeitsbereich ausreichend beleuchtet ist, damit Sie sicher arbeiten können.
- Stellen Sie außerdem sicher, dass weder unter dem Arbeitsbereich noch im Schneidegut Versorgungsleitungen verlegt sind.
- Beim Schneiden in Behälter (Trommel, Rohr o. ä.) sicherstellen, dass dieser Behälter kein brennbares oder anderweitig flüchtiges Material enthält.

## Grundlegende Arbeitstechnik



**WARNUNG!** Den Trennschleifer nicht plötzlich schräg halten. Dies kann zum Verkanten oder zum Bruch der Schleifscheibe und in der Folge zu Verletzungen führen.

Schleifen Sie unter keinen Umständen seitlich mit der Trennscheibe, weil dies fast mit Sicherheit zu Schäden an der Scheibe führt oder ihren Bruch bewirkt und außerdem ernsthafte Verletzungen verursachen kann. Verwenden Sie nur die Trennscheibe.

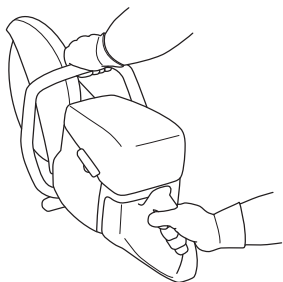
eine Diamantklinge zum Schneiden von Kunststoff verwenden. Die hohe Hitzeentwicklung während des Schneidens kann dazu führen, dass der Kunststoff schmilzt und an der Trennscheibe klebt und es zu einem Rückschlag kommt.

Beim Schneiden von Metall entstehen Funken, die einen Brand verursachen können. Verwenden Sie das Gerät nicht in der Nähe von brennbaren Materialien oder Gasen.

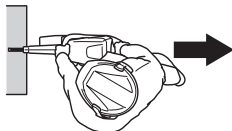
- Das Gerät wurde für Schneidearbeiten mit Schleifscheiben oder Diamantklingen bei hoher Geschwindigkeit entwickelt. Mit anderen Arten von Klingen oder bei zweckfremden Arbeiten soll das Gerät nicht verwendet werden.
- Stellen Sie sicher, dass die Trennscheibe korrekt montiert ist und keine Schäden aufweist. In den Abschnitten "Trennscheibe" und "Montage und Einstellungen" erhalten Sie weitere Informationen.

# BETRIEB

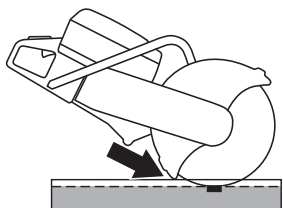
- Stellen Sie sicher, dass für die entsprechende Anwendung eine korrekte Trennscheibe verwendet wird. Siehe Anweisungen im Abschnitt "Trennscheiben".
- Niemals Asbest schneiden!
- Säge mit beiden Händen halten. Die Griffe fest mit Daumen und Fingern umfassen. Mit der rechten Hand den hinteren Griff und mit der linken den vorderen Griff umfassen. Alle Benutzer, ob Links- oder Rechtshänder, müssen die Handgriffe so greifen. Den Trennschleifer niemals nur mit einer Hand halten und betreiben.



- Immer parallel zur Trennscheibe stehen. Nie genau dahinter stehen. Im Fall eines Rückschlags bewegt sich die Säge in der Ebene der Trennscheibe.

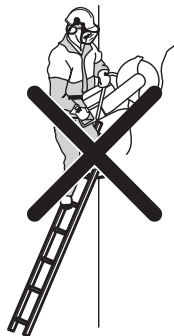


- Halten Sie bei laufendem Motor Abstand von der Trennscheibe.
- Niemals das Gerät unbeaufsichtigt mit laufendem Motor stehen lassen.
- Die Maschine nicht bewegen, wenn die Schneidausrüstung rotiert. Das Gerät ist mit einer Reibungsbremse ausgestattet, um die Stoppzeit der Trennscheibe zu verringern.
- Der Schutz für die Schneidausrüstung ist so einzustellen, dass der hintere Teil an das Werkstück anliegt. Spritzer und Funken vom geschnittenen Material werden so vom Schutz aufgefangen und vom Bediener weggeleitet. Bei laufender Maschine müssen die Schutzvorrichtungen für die Schneidausrüstung stets angebracht sein.



- Der Rückschlagbereich der Trennscheibe soll niemals **zum Schneiden** angewendet werden. Siehe hierzu die Anweisungen im Abschnitt "Rückschlag".

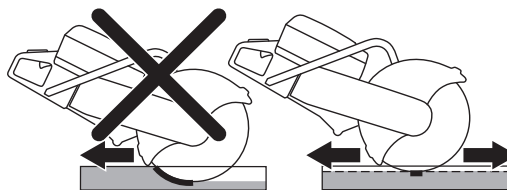
- Eine sichere Arbeitsstellung mit festen Stand einnehmen.
- Unter keinen Umständen oberhalb der Schulterhöhe schneiden.
- Niemals von einer Leiter aus schneiden. Eine Plattform oder ein Gerüst verwenden, wenn der Schnitt oberhalb der Schulter erfolgt. Nicht über Ihre normale Reichweite hinaus arbeiten.



- Bequemem Abstand zum Werkstück einhalten.
- Kontrollieren, dass die Scheibe nirgendwo anliegt, wenn das Gerät gestartet wird.
- Setzen Sie die Trennscheibe vorsichtig bei hoher Drehzahl (Volllast) an. Behalten Sie diese Drehzahl bei, bis der Schneidevorgang abgeschlossen ist.
- Das Gerät arbeiten lassen, ohne die Trennscheibe zu forcieren oder einzudrücken.
- Die Maschine in einer Linie mit der Trennscheibe führen. Der Seitendruck kann die Trennscheibe beschädigen und ist äußerst gefährlich.



- Die Scheibe langsam vor- und rückwärts führen, um eine kleine Kontaktfläche zwischen der Scheibe und dem zu schneidenden Material zu erhalten. Auf diese Weise wird die Temperatur der Scheibe niedrig gehalten und ein effektives Schneiden erzielt.





# BETRIEB

## Handhabung von Staub

Das Gerät ist mit einem Flachschnide-Wassersystem ausgestattet, das für eine maximale Staubunterdrückung sorgt.

Verwenden Sie, falls möglich, für eine optimale Staubunterdrückung beim Nassschnitt Trennscheiben mit Wasserkühlung. Siehe Anweisungen im Abschnitt "Trennscheiben".

Regulieren Sie den Wasserstrom mithilfe des Wasserhahns, um den beim Schneiden entstehenden Staub zu binden. Die Menge des benötigten Wassers variiert je nach Art der durchgeführten Arbeit.

Wenn sich ein Wasserschlauch von der Wasserquelle löst, ist dies ein Zeichen dafür, dass das Gerät mit einem zu hohen Wasserdruck verbunden ist. Unter der Überschrift "Technische Daten" erhalten Sie weitere Informationen zum empfohlenen Wasserdruck.

## Schneiden mit gezahnten Klingen/ Klingen mit Karbidspitzen bei Rettungseinsätzen



**WARNUNG! Ein Trennschleifer darf niemals außerhalb von Noteinsätzen (z. B. in der Bauindustrie) mit einer Klinge mit Karbidspitzen verwendet werden.**

**Sie müssen sich immer darüber im Klaren sein, dass die Rückschlaggefahr bei Klingen mit Karbidspitzen bei unsachgemäßer Verwendung größer ist als bei Schleif- oder Diamantklingen.**

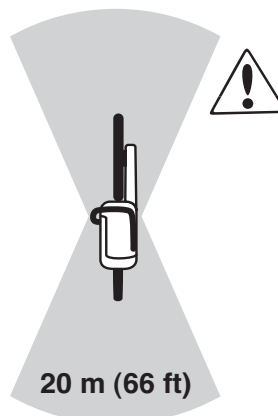
Wenn die zuständige Rettungseinrichtung (Feuerwehr), die diesen Trennschleifer erworben hat, diese Einheit mit Klingen mit Karbidspitzen für Rettungseinsätze ausrüstet, müssen folgende Sicherheitsaspekte beachtet werden.

### Schulung und Schutzausrüstung

- Der Trennschleifer darf nur von Personen bedient werden, die für die Verwendung eines Trennschleifers mit Klingen mit Karbidspitzen geschult wurden.
- Der Bediener muss dabei immer die komplette Brandschutzausrüstung tragen.
- Zum Schutz des Gesichts vor umherfliegenden Bruchstücken oder einem plötzlichen Rückschlag des Trennschleifers muss der Bediener einen Ganzgesichtsschutz (nicht nur eine Schutzbrille) tragen.

## Risikobereich

Im Risikobereich, in dem Gefahr durch umherfliegendes Material besteht, sind keine Personen ohne oben beschriebene Schutzausrüstung zugelassen.

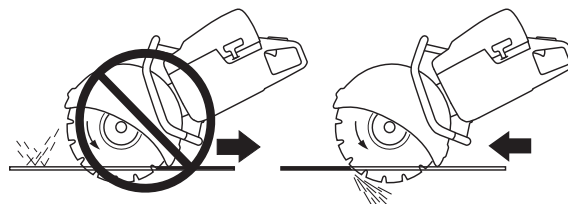


## Drehzahl der Trennscheibe

Setzen Sie die Trennscheibe vorsichtig bei hoher Drehzahl (Vollast) an. Behalten Sie diese Drehzahl bei, bis der Schneidevorgang abgeschlossen ist. Eine niedrige Trennscheibengeschwindigkeit kann vor allem in hartem und dünnem Material zum Festfressen und Abbrechen der Karbidspitzen führen.

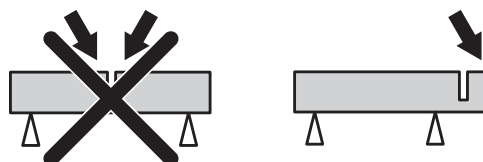
## Dünnes Material

Beim Schneiden von dünnem und hartem Material (z. B. Blechdach) lässt sich das Gerät am besten in einer Vorwärtsrichtung führen.



## Festklemmen oder Festfressen

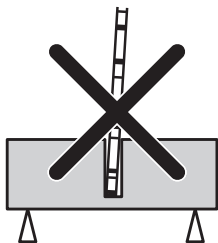
Beurteilen Sie, wie sich das Objekt in der letzten Schneidephase verschieben kann, um ein Festklemmen oder Festfressen zu vermeiden. Beim Schneiden muss sich der Schnitt öffnen. Durch Absacken des Objekts und Schließen des Schnitts, kann die Trennscheibe eingeklemmt werden, was einen Rückschlag oder die Beschädigung der Trennscheibe verursachen kann.



# BETRIEB

## Gerades Schneiden

Das Drehen des Geräts im Schnittverlauf führt zur einer verminderten Schnitteffizienz und der Beschädigung der Klinge.



## Vor jedem Rettungseinsatz

Trennscheibe und Trennscheibenschutz auf Beschädigung und Risse kontrollieren. Trennscheibe oder Trennscheibenschutz austauschen, wenn sie Schlägen ausgesetzt wurden oder Risse aufweisen.

- Prüfen Sie, daß sich keine Hartmetallteile von der Trennschleifscheibe gelöst haben.
- Prüfen Sie, daß die Trennschleifscheibe nicht verzogen ist bzw. Anzeichen von Rissen oder andere Schäden aufweist.

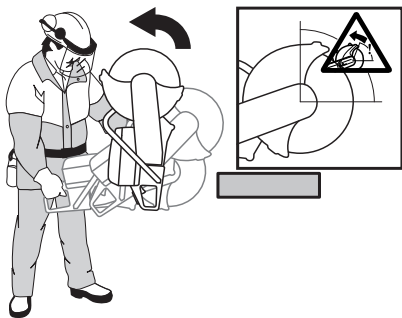
Beim Schneiden von hartem Material werden Klingen mit Karbidspitzen schnell stumpf. Für eine maximale Leistungsfähigkeit bei Rettungseinsätzen empfehlen wir, eine neue Klinge einzusetzen.

## Rückschlag



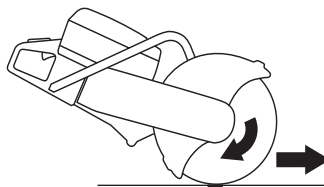
**WARNUNG! Rückschläge treten unerwartet und mit zum Teil großer Heftigkeit auf. Heftige Drehbewegungen und starkes Wackeln des Trennschleifers können zu schweren oder tödlichen Verletzungen führen. Bediener sollen deshalb vor dem Betrieb des Gerätes in die Ursachen für Rückschläge sowie in Vorsichtsmaßnahmen zu deren Vermeidung eingeweiht werden.**

Als Rückschläge werden ruckartige Aufwärtsbewegungen bezeichnet, die dadurch entstehen, dass die Klinge im Rückschlagbereich einklemmt oder stecken bleibt. Die meisten Rückschläge haben nur kleine Auswirkungen auf das Verhalten des Gerätes und stellen keine große Gefahr dar. Es kann jedoch zu heftigen Drehbewegungen und starkem Wackeln des Trennschleifers kommen, was zu schweren oder tödlichen Verletzungen führen kann.



## Rückschlageffekt

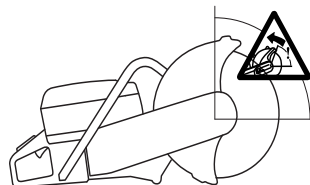
Der Rückschlageffekt kann bei Schneidearbeiten jederzeit auftreten. Das Gerät wird dabei in die zur Drehbewegung der Schneide entgegengesetzte Richtung geschleudert. Beim Betrieb des Gerätes kann dieser Effekt meist vernachlässigt werden. Wird die Klinge eingeklemmt oder bleibt sie stecken, so kann die Heftigkeit der Rückschlageffekte dazu führen, dass der Bediener die Kontrolle über das Gerät verliert.



Die Maschine nicht bewegen, wenn die Schneidausrüstung rotiert. Kreiselkräfte können die beabsichtigte Bewegung behindern.

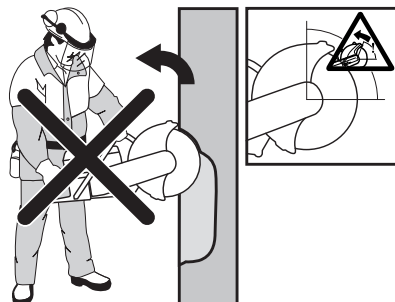
## Rückschlagbereich

Der Rückschlagbereich der Trennscheibe soll niemals **zum Schneiden** angewendet werden. Wird die Klinge eingeklemmt oder bleibt sie im Rückschlagbereich stecken, kann die Heftigkeit der Rückschlageffekte zu heftigen Drehbewegungen und starkem Wackeln des Trennschleifers führen, was schwere oder tödliche Verletzungen verursachen kann



## Hochschlagen des Geräts durch Rückschlageffekt

Wird mit dem Rückschlagbereich geschnitten, kann der Rückstoßeffekt zu einem Hochschlagen des Gerätes führen. Scheiden Sie deshalb nicht mit dem Rückschlagbereich. Ein Hochschlagen des Gerätes können Sie dadurch vermeiden, dass Sie mit dem unteren Quadrant der Klinge schneiden.

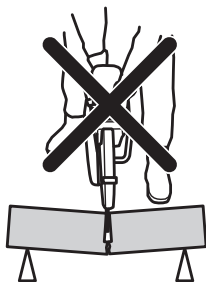


## Blockierung

Blockiert wird das Gerät, wenn sich die Schnittstelle verengt. Wird die Klinge eingeklemmt oder bleibt sie stecken, so kann die Heftigkeit der Rückschlageffekte

# BETRIEB

dazu führen, dass der Bediener die Kontrolle über das Gerät verliert.

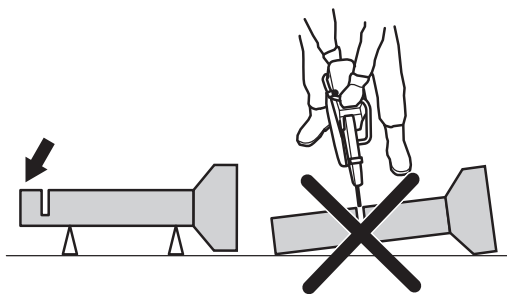


Wird die Klinge eingeklemmt oder bleibt sie im Rückschlagbereich stecken, kann die Heftigkeit der Rückschlageffekte zu heftigen Drehbewegungen und starkem Wackeln des Trennschleifers führen, was schwere oder tödliche Verletzungen verursachen kann. Auf mögliche Bewegungen des Werkstücks achten. Wenn das Werkstück nicht ausreichend gestützt ist und sich beim Schneiden verschiebt, kann es durch Einklemmen der Trennscheibe zu einem Rückschlag kommen.

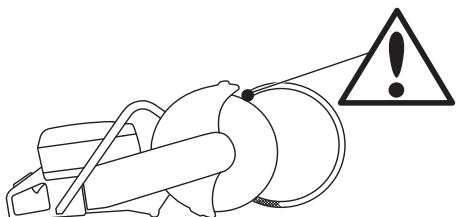
## Schneiden von Rohren

Beim Schneiden von Rohren ist besondere Sorgfalt geboten. Ist das Rohr nicht ordnungsgemäß gesichert und die Schnittstelle nicht während des Schneidvorgangs geöffnet, so könnte die Klinge im Rückschlagbereich eingeklemmt werden und ein heftiges Rückschlageffekt entstehen. Achtung: Beim Schneiden eines Rohrs mit einem verbreiterten Ende oder eines Rohrs in einem Baugraben kann eine nicht ausreichende Stützung zu einem Durchhängen und Einklemmen der Trennscheibe führen.

Vor dem Start des Schnitts muss das Rohr gesichert sein, damit es sich nicht bewegen oder wegrollen kann.

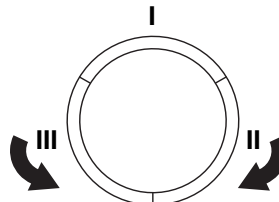


Wenn das Rohr durchhängt, so dass sich die Schnittstelle verengt, wird die Trennscheibe im Rückschlagbereich eingeklemmt und kann einen schweren Rückschlag hervorrufen. Wenn das Rohr ordnungsgemäß gestützt ist, fällt das Ende des Rohrs nach unten, die Schnittstelle wird verbreitert, und die Trennscheibe kann nicht eingeklemmt werden.



## Richtige Reihenfolge beim Schneiden eines Rohrs

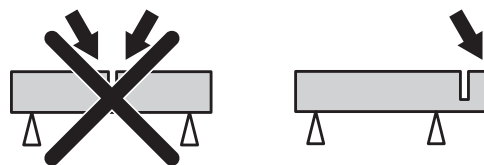
- 1 Zuerst Abschnitt I schneiden.
- 2 Auf Seite II wechseln und von Abschnitt I bis zur Unterseite des Rohrs schneiden.
- 3 Auf Seite III wechseln und den restlichen Teil des Rohrs an der Unterseite schneiden.



## Vermeidung des Rückschlageffekts

Dem Rückschlageffekt kann sehr einfach vorgebeugt werden.

- Das Werkstück soll so gesichert werden, dass die Schnittstelle beim Schneiden stets geöffnet bleibt. Bei einer geöffneten Schnittstelle tritt kein Rückschlageffekt auf. Rückschlaggefahr besteht bei einer Verengung der Schnittstelle, in der die Klinge eingeklemmt werden könnte.



- Vorsicht beim erneuten Einsetzen der Säge in die Schnittfuge.
- Auf Verschieben des Werkstücks oder ähnliches achten, wodurch sich die Schnittstelle verengen und die Trennscheibe einklemmen kann.

## Transport und Aufbewahrung

- Achten Sie beim Transport der Schneidausrüstung darauf, dass diese nicht beschädigt wird.
- Lagern oder transportieren Sie den Trennschleifer nicht mit montierter Trennscheibe.
- Anweisungen zum Transport und Aufbewahren von Trennscheiben finden Sie im Abschnitt "Trennscheiben".
- Anweisungen zum Transport und Aufbewahren von Kraftstoff finden Sie im Abschnitt "Handhabung von Kraftstoff".
- Bewahren Sie das Gerät für Kinder und Unbefugte unzugänglich in einem abschließbaren Raum auf.

# STARTEN UND STOPPEN

## Vor dem Start



**WARNUNG!** Vor dem Start ist Folgendes zu beachten: Lesen Sie die Bedienungsanweisung sorgfältig durch und machen Sie sich mit dem Inhalt vertraut, bevor Sie das Gerät benutzen.

Persönliche Schutzausrüstung tragen. Siehe die Anweisungen unter "Persönliche Schutzausrüstung".

Das Gerät nur mit montiertem Riemen und Riemenschutz starten. Andernfalls kann sich die Kupplung lösen und Verletzungen verursachen.

Vergewissern Sie sich, dass der Tankdeckel richtig geschlossen ist und keine Undichtigkeiten bestehen.

Sorgen Sie dafür, dass sich innerhalb des Arbeitsbereichs keine unbefugten Personen aufhalten, andernfalls besteht die Gefahr von schweren Verletzungen.

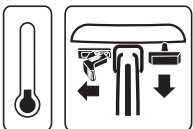
- Warten Sie das Gerät täglich. Siehe die Anweisungen im Abschnitt "Wartung".

## Starten

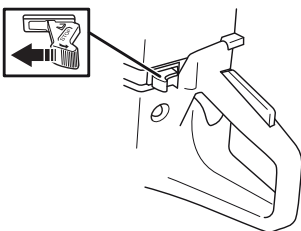


**WARNUNG!** Die Trennscheibe dreht sich, wenn der Motor anspringt. Sicherstellen, dass sie frei rotieren kann.

### Bei kaltem Motor:



- Sicherstellen, dass sich der Stoppschalter (STOP) in linker Stellung befindet.

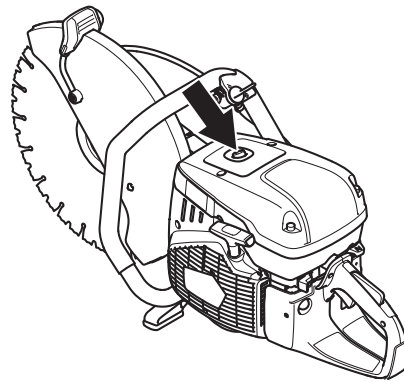


- Startgasposition und Choke werden durch vollständiges Ausziehen des Chokehebels erreicht.

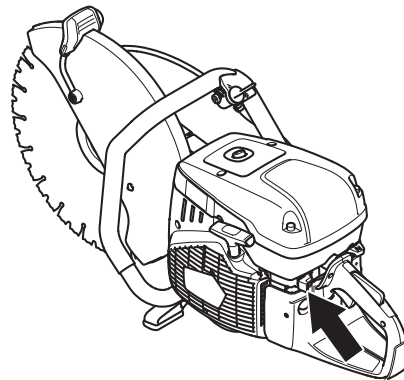


- **Dekompressionsventil:** Dekompressionsventil eindrücken, damit der Druck im Zylinder reduziert wird; dadurch wird das Anspringen erleichtert. Das Dekompressionsventil sollte beim Anlassen immer betätigt werden. Wenn die Maschine läuft, geht das

Dekompressionsventil automatisch in Nullstellung zurück.



- Mehrmals auf die Gummibläse der Kraftstoffpumpe drücken, bis diese sich mit Kraftstoff zu füllen beginnt (ca. 6 Mal). Die Blase braucht nicht ganz gefüllt zu werden.



- Den vorderen Handgriff mit der linken Hand umfassen. Mit dem rechten Fuß in den hinteren Griff treten und die Maschine gegen den Boden drücken. Mit der rechten Hand am Starthandgriff ziehen, bis der Motor anspringt. **Das Startseil niemals um die Hand wickeln.**



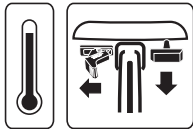
# STARTEN UND STOPPEN

- Drücken Sie den Choke-Hebel ein, sobald der Motor startet, da der Motor mit herausstehendem Choke-Hebel nach ein paar Sekunden wieder aussetzt. (Falls der Motor ohnehin aussetzt, ziehen Sie noch einmal am Starthandgriff.)
- Gashebel drücken, um das Startgas auszuschalten. Das Gerät geht in den Leerlauf über.

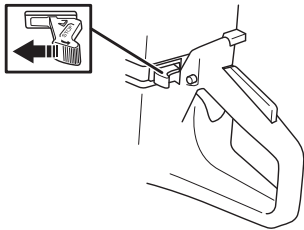
**HINWEIS!** Das Startseil mit der rechten Hand bis zum ersten Widerstand (die Starterklinken rasten ein) langsam herausziehen, danach das Seil schnell und kraftvoll herausziehen.

Das Startseil nicht ganz herausziehen und den Startgriff aus ganz herausgezogener Lage nicht loslassen. Schäden am Gerät könnten die Folge sein.

## Bei warmem Motor:



- Sicherstellen, dass sich der Stoppschalter (STOP) in linker Stellung befindet.



- Den Choke in Chokelage stellen. Die Chokelage ist auch die automatische Startgaslage.



- **Dekompressionsventil:** Dekompressionsventil eindrücken, damit der Druck im Zylinder reduziert wird; dadurch wird das Anspringen erleichtert. Das Dekompressionsventil sollte beim Anlassen immer betätigt werden. Wenn die Maschine läuft, geht das Dekompressionsventil automatisch in Nullstellung zurück.



- Chokehebel ziehen, um den Choke auszuschalten (die Startgasposition wird beibehalten).



- Den vorderen Handgriff mit der linken Hand umfassen. Mit dem rechten Fuß in den hinteren Griff treten und die Maschine gegen den Boden drücken.

Mit der rechten Hand am Starthandgriff ziehen, bis der Motor anspringt. **Das Startseil niemals um die Hand wickeln.**



- Gashebel drücken, um das Startgas auszuschalten. Das Gerät geht in den Leerlauf über.

**HINWEIS!** Das Startseil mit der rechten Hand bis zum ersten Widerstand (die Starterklinken rasten ein) langsam herausziehen, danach das Seil schnell und kraftvoll herausziehen.

Das Startseil nicht ganz herausziehen und den Startgriff aus ganz herausgezogener Lage nicht loslassen. Schäden am Gerät könnten die Folge sein.



**WARNUNG!** Wenn der Motor läuft, entstehen Abgase, die Chemikalien wie unverbrannte Kohlenwasserstoffe und Kohlenmonoxid enthalten. Der Inhalt der Abgase kann Atemprobleme hervorrufen sowie Krebs, Geburtsfehler oder andere Schäden des Fortpflanzungssystems auslösen.

Kohlenmonoxid ist farb- und geschmacklos und immer in Abgasen enthalten. Der Ausbruch einer Kohlenmonoxidvergiftung ist an einem leichten Schwindel festzustellen, der von der betreffenden Person eventuell nicht bemerkt wird. Eine ausreichend hohe Konzentration an Kohlenmonoxid kann ohne vorherige Anzeichen zu Zusammenbrüchen und Bewusstlosigkeit führen. Da Kohlenmonoxid farb- und geruchlos ist, kann sein Vorhandensein nicht erkannt werden. Immer wenn Abgasgerüche bemerkt werden, ist Kohlenmonoxid vorhanden. Benzingetriebene Trennschleifer niemals in geschlossenen Räumen oder in mehr als 1 m tiefen Baugraben oder anderen Bereichen mit schlechter Belüftung verwenden. Ausreichende Belüftung bei Arbeiten in Gräben oder anderen engen Bereichen sicherstellen.

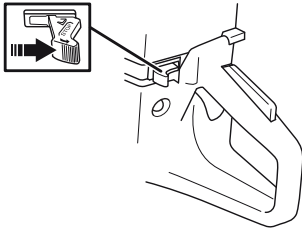
# STARTEN UND STOPPEN

## Stoppen



**ACHTUNG!** Nach dem Ausschalten des Motors kann es bis zu einer Minute dauern, bis die Trennscheibe zum Stillstand kommt. (Auslauf) Achten Sie dabei darauf, dass sich die Trennscheibe störungsfrei drehen kann, bis die Drehbewegung endgültig aufhört. Unachtsamkeiten können schwere Verletzungen verursachen.

- Den Motor durch eine Bewegung des Stoppschalters (STOP) nach rechts anhalten.



# WARTUNG

## Allgemeines



**WARNUNG!** Der Bediener darf nur die Wartungs- und Servicearbeiten ausführen, die in dieser Bedienungsanleitung beschrieben sind. Größere Eingriffe sind von einer autorisierten Servicewerkstatt auszuführen.

Das Gerät muss nach dem Betrieb ausgeschaltet werden. Der Stoppschalter wird dazu in die Position STOP gebracht.

Persönliche Schutzausrüstung tragen. Siehe die Anweisungen unter Persönliche Schutzausrüstung“.

Die Lebensdauer der Maschine kann verkürzt werden und die Unfallgefahr kann steigen, wenn die Wartung der Maschine nicht ordnungsgemäß und Service und/oder Reparaturen nicht fachmännisch ausgeführt werden. Weitere Informationen erteilt Ihnen gerne die nächste Servicewerkstatt.

- Lassen Sie die Maschine regelmäßig von Ihrem Husqvarna-Händler überprüfen und notwendige Einstellungen und Reparaturen vornehmen.

## Wartungsschema

Dem Wartungsplan entnehmen Sie, welche Teile des Gerätes in welchen Zeitintervallen gewartet werden müssen. Der Berechnung der Wartungsintervalle wurde die tägliche Nutzung des Gerätes zugrunde gelegt. Einer davon abweichenden Nutzungsfrequenz entsprechen deshalb andere Wartungsintervalle.

Tägliche Wartung	Wöchentliche Wartung	Monatliche Wartung
<b>Reinigung</b>	<b>Reinigung</b>	<b>Reinigung</b>
Außenreinigung		Zündkerze
Kühlufteinlass		Kraftstofftank
<b>Funktionsinspektion</b>	<b>Funktionsinspektion</b>	<b>Funktionsinspektion</b>
Generalinspektion	Antivibrationssystem*	Kraftstoffsystem
Gashebelsperre*	Schalldämpfer*	Luftfilter
Stoppschalter*	Antriebsriemen	Antriebsrad, Kupplung
Schutz für die Trennscheibe*	Vergaser	
Trennscheibe**	Startvorrichtung	

\* Siehe Anweisungen im Abschnitt "Sicherheitsausrüstung des Gerätes".

\*\* Siehe Anweisungen im Abschnitt "Trennscheiben" und "Montage und Einstellungen".

## Reinigung

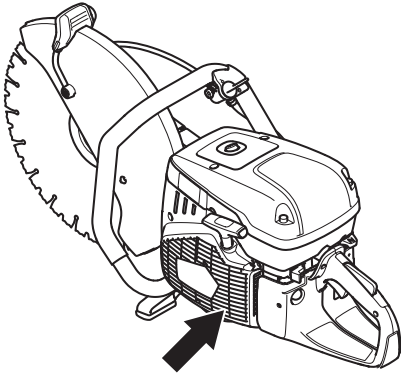
### Außenreinigung

- Reinigen Sie das Gerät täglich, indem Sie es nach Abschluss der Arbeiten mit klarem Wasser abspülen.

# WARTUNG

## Kühlfluffeinlass

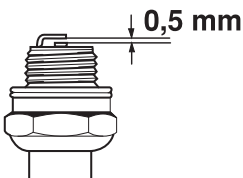
- Reinigen Sie bei Bedarf den Kühlfluffeinlass.



**HINWEIS!** Eine Verschmutzung oder Verstopfung des Luffteinlasses führt zur Überhitzung des Gerätes, die Schäden an Zylinder und Kolben zur Folge haben kann.

## Zündkerze

- Bei schwacher Leistung, wenn das Gerät schwer zu starten ist oder im Leerlauf ungleichmäßig läuft: immer zuerst die Zündkerze prüfen, bevor andere Maßnahmen eingeleitet werden.
- Sicherstellen, dass Zündkappe und Zündkabel unbeschädigt sind, um elektrische Schläge zu vermeiden.
- Ist die Zündkerze verrußt, so ist sie zu reinigen; gleichzeitig ist zu prüfen, ob der Elektrodenabstand 0,5 mm beträgt. Bei Bedarf austauschen.



**HINWEIS!** Stets den vom Hersteller empfohlenen Zündkerzentyp verwenden! Eine ungeeignete Zündkerze kann Kolben und Zylinder zerstören.

Diese Faktoren verursachen Beläge an den Elektroden der Zündkerze und können somit zu Betriebsstörungen und Startschwierigkeiten führen.

- Falsche Ölmenge im Kraftstoff (zuviel Öl oder falsche Ölsorte).
- Verschmutzter Luftfilter.

## Funktionsinspektion

### Generalinspektion

- Schrauben und Muttern nachziehen.

## Antriebsriemen

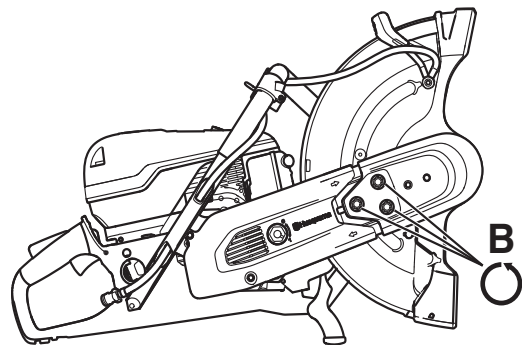
### Spannen des Antriebsriemens

Ein neuer Treibriemen ist nach dem Betrieb mit ein oder zwei Tankfüllungen zu spannen.

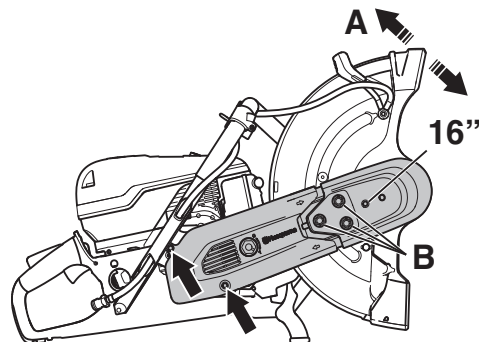
Wenn das Gerät mit einer Reibungsbremse ausgestattet ist, wird beim manuellen Drehen der Klinge ein schabendes Geräusch erzeugt. Dies ist völlig normal. Wenden Sie sich bei eventuellen Fragen an eine autorisierte Husqvarna-Werkstatt.

Der Antriebsriemen ist umschlossen und gut gegen Staub und Schmutz geschützt.

- Lösen Sie die drei Schrauben (B) um eine Umdrehung gegen den Uhrzeigersinn.



- Bewegen Sie den Klingenschutz (A) 3-5 Mal nach oben und unten und ziehen Sie dann die Muttern (B) mit dem Kombischlüssel an.



### Austausch des Antriebsriemens



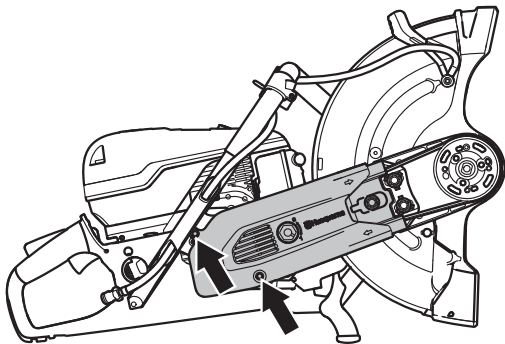
**WARNUNG!** Niemals den Motor starten, wenn Riemenscheibe und Kupplung für Wartungszwecke ausgebaut sind. Die Maschine nur mit montiertem Trennarm und Trennaggregat starten. Andernfalls kann sich die Kupplung lösen und Verletzungen verursachen.

- Bauen Sie das Trennaggregat aus, siehe Anweisungen unter der Überschrift Drehbares Trennaggregat“.

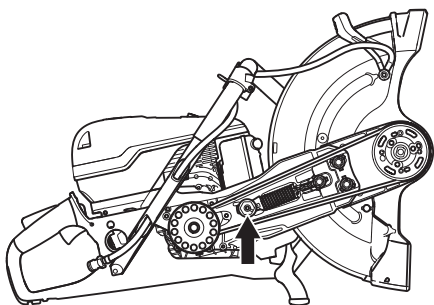


# WARTUNG

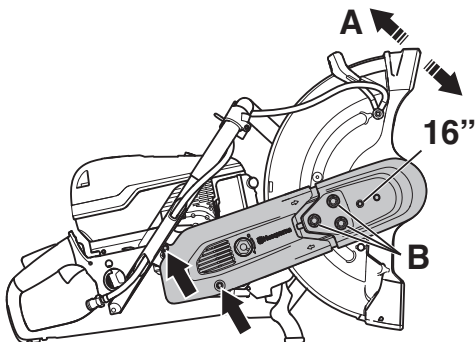
- Entfernen Sie nun den hinteren Riemenschutz.



- Treibriemen austauschen. Drehen Sie den Riemenspanner auf Stellung 1“, um den Antriebsriemen festzuziehen.



- Montieren Sie die Riemenschutzverkleidungen und ziehen Sie die Muttern (B) handfest an. Bewegen Sie den Klingenschutz (A) 3-5 Mal nach oben und unten und ziehen Sie dann die Muttern (B) mit dem Kombischlüssel an.



## Vergaser

Der Vergaser ist mit festen Düsen versehen, damit die Maschine stets das richtige Kraftstoff/Luft-Gemisch erhält. Fehlt dem Motor Kraft oder er beschleunigt schlecht, Folgendes versuchen:

- Luftfilter kontrollieren und bei Bedarf austauschen. Wenn dies nicht hilft, ist eine autorisierte Servicewerkstatt zu kontaktieren.

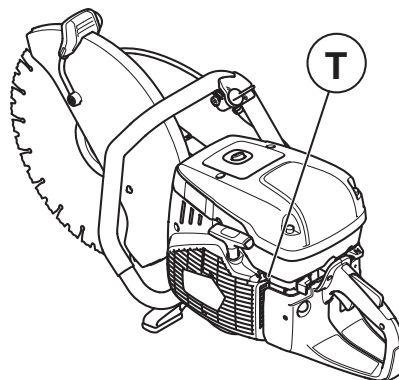
## Einstellung des Leerlaufs



**ACHTUNG!** Wenden Sie sich an Ihren Händler/Ihre Servicewerkstatt, wenn der Leerlauf nicht so eingestellt werden kann, dass die Messer stillstehen. Das Gerät nicht benutzen, bevor es korrekt eingestellt oder repariert ist.

Motor starten und Leerlaufeinstellung prüfen. Ist der Vergaser korrekt eingestellt, steht die Trennscheibe im Leerlauf still.

- Die Leerlaufdrehzahl mit der Schraube T einstellen. Falls eine Einstellung notwendig ist, die Leerlaufschraube zuerst im Uhrzeigersinn drehen, bis die Trennscheibe zu rotieren beginnt. Danach die Schraube gegen den Uhrzeigersinn drehen, bis die Scheibe wieder still steht.



Empf. Leerlaufdrehzahl: 2700 U/min

# WARTUNG

## Startvorrichtung

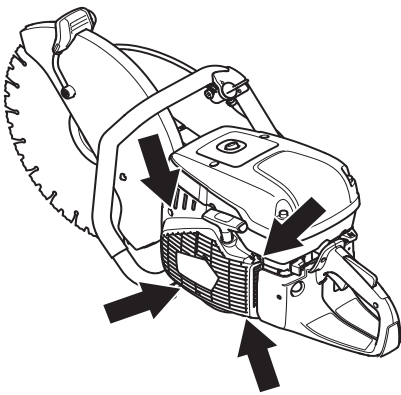


**WARNUNG!** Die Rückzugfeder liegt vorgespannt im Startergehäuse und kann bei unvorsichtiger Handhabung herausschnellen und Verletzungen verursachen.

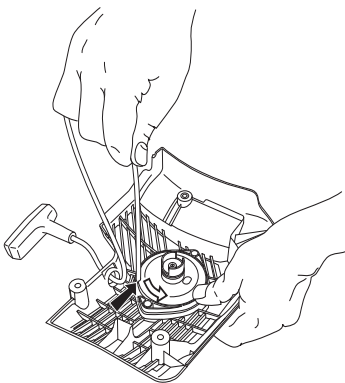
Beim Austausch von Starterfeder oder Startseil große Vorsicht walten lassen. Schutzbrillen verwenden.

### Austausch eines gerissenen oder verschlissenen Startseiles

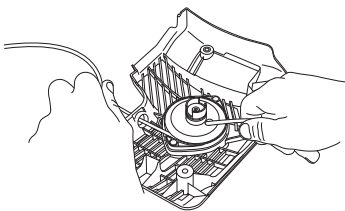
- Die Befestigungsschrauben, durch die die Startvorrichtung am Kurbelgehäuse befestigt ist, lösen, und die Startvorrichtung abnehmen.



- Das Seil etwa 30 cm herausziehen und in die Aussparung in der Außenkante der Seilrolle ziehen. Wenn das Seil intakt ist: Die Federspannung durch langsames Rückwärtsdrehen der Rolle lockern.

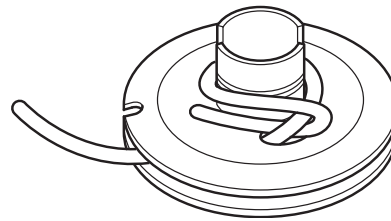


- Eventuelle Reste des alten Startseils entfernen und prüfen, dass die Startfeder funktioniert. Das neue Startseil durch die Öffnung im Startvorrichtungsgehäuse und in der Seilrolle führen.



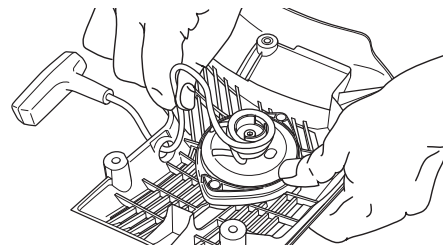
- Das Startseil um die Mitte der Seilrolle sichern, siehe Abbildung. Die Befestigung fest anziehen und darauf

achten, dass das freie Ende so kurz wie möglich ist. Das Seilende im Starthandgriff verankern.



### Spannen der Rückzugfeder

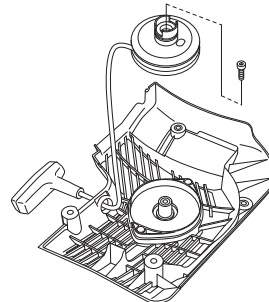
- Das Seil durch die Aussparung im Rollenrand führen und dreimal im Uhrzeigersinn um die Seilrollenmitte wickeln.



- Dann am Starthandgriff ziehen, wodurch die Feder gespannt wird. Das Verfahren noch einmal wiederholen, aber dann mit vier Umdrehungen.
- Beachten, dass der Starthandgriff nach der Spannung der Feder in die korrekte Ausgangsposition gezogen wird.
- Das Startseil komplett herausziehen, um sicherzustellen, dass die Feder nicht in ihre Endposition gezogen wird. Die Seilrolle mit dem Daumen bremsen und prüfen, dass sie sich noch mindestens eine halbe Umdrehung weiter drehen lässt.

### Austausch einer gebrochenen Rückzugfeder

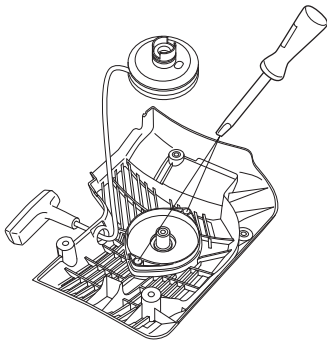
- Die Schraube in der Mitte der Seilrolle lösen und die Rolle entfernen.



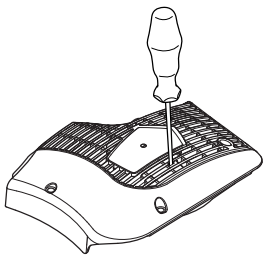
- Darauf achten, dass die Rückzugfeder fest gespannt im Startvorrichtungsgehäuse liegt.

# WARTUNG

- Die Schrauben lösen, die die Federkassette halten.



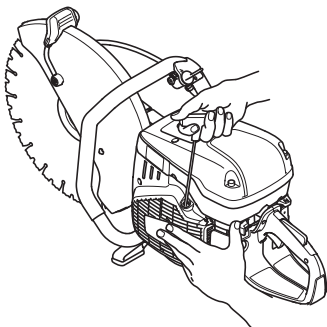
- Startvorrichtung drehen, die Haken mithilfe eines Schraubenziehers lösen und die Rückzugfeder entfernen. Die Haken halten das Rückzugfederpaket an der Startvorrichtung.



- Die Rückzugfeder mit dünnflüssigem Öl schmieren. Die Seilrolle montieren und die Rückzugfeder spannen.

## Montage der Startvorrichtung

- Vor dem Einbau der Startvorrichtung Startseil herausziehen und die Startvorrichtung gegen das Kurbelgehäuse legen. Danach das Startseil langsam zurücklassen, damit die Starterklinken in die Seilrolle eingreifen.



- Die Schrauben anziehen.

## Kraftstoffsystem

### Allgemeines

- Kontrollieren, ob der Tankdeckel und dessen Dichtung unbeschädigt sind.
- Kraftstoffschlauch überprüfen. Bei Beschädigungen austauschen.

### Kraftstofffilter

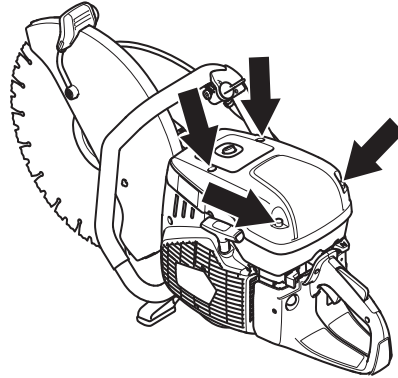
- Der Kraftstofffilter sitzt im Kraftstofftank.
- Der Kraftstofftank ist beim Tanken vor Schmutz zu schützen. Dies reduziert die Gefahr von Betriebsstörungen durch einen verstopften Kraftstofffilter im Tank.

- Der Kraftstofffilter kann nicht gereinigt werden, sondern muss bei Verstopfung durch einen neuen ersetzt werden. **Der Filter sollte mindestens einmal im Jahr ausgetauscht werden.**

## Luftfilter

Der Luftfilter muss nur dann geprüft werden, wenn die Motorleistung nachlässt.

- Lösen Sie die Schrauben. Luftfilterdeckel entfernen.

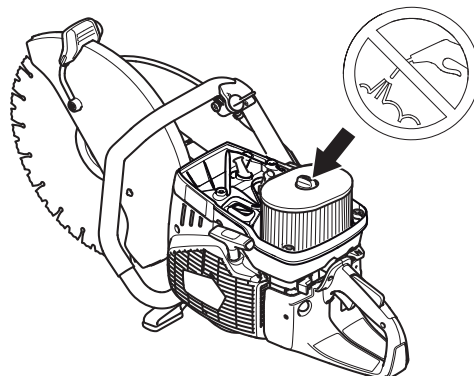


- Luftfilter kontrollieren und bei Bedarf austauschen.

## Luftfilter wechseln

**HINWEIS!** Bei der Reinigung des Luftfilters darf keine Druckluft eingesetzt werden. Andernfalls könnte der Luftfilter beschädigt werden.

- Schraube entfernen.



- Luftfilter austauschen.

## Antriebsrad, Kupplung

- Kupplungszentrum, Antriebsrad und Kupplungsfeder auf Verschleiß überprüfen.

# FEHLERSUCHE

## Störungssuchplan



**WARNUNG!** Wenn das Gerät aufgrund von Wartungsarbeiten oder Fehlerbehebung nicht eingeschaltet sein muss, sollte der Motor ausgeschaltet werden, und der Stoppschalter sollte sich in STOPP-Position befinden.

Störung	Vermutliche Ursache	Mögliche Lösung
Maschine läuft nicht	Falsche Vorgehensweise beim Starten.	Siehe die Anweisungen unter der Überschrift Starten und Stoppen.
	Stoppschalter in der rechten Position (STOPP)	Sicherstellen, dass sich der Stoppschalter (STOP) in linker Stellung befindet.
	Nicht genug Kraftstoff im Tank	Füllen Sie Kraftstoff nach
	Zündkerze fehlerhaft	Zündkerze austauschen.
	Kupplung defekt	Setzen Sie sich mit Ihrer Servicewerkstatt in Verbindung.
Die Klinge dreht sich im Leerlauf	Leerlaufdrehzahl zu hoch	Stellen Sie die Leerlaufdrehzahl ein
	Kupplung defekt	Setzen Sie sich mit Ihrer Servicewerkstatt in Verbindung.
Die Klinge dreht sich nicht beim Startvorgang	Riemen zu locker oder defekt	Riemen anziehen / Den Riemen gegen einen neuen austauschen
	Kupplung defekt	Setzen Sie sich mit Ihrer Servicewerkstatt in Verbindung.
	Klinge nicht korrekt befestigt	Vergewissern Sie sich, dass die Klinge korrekt angebracht ist.
Das Gerät ist beim Startvorgang nicht mit Strom versorgt	Verstopfter Luftfilter	Kontrollieren Sie den Luftfilter und tauschen Sie ihn bei Bedarf aus.
	Verstopfter Kraftstofffilter	Kraftstofffilter austauschen
	Kraftstofftanklüftung verstopft	Setzen Sie sich mit Ihrer Servicewerkstatt in Verbindung.
Vibrationen sind zu stark	Klinge nicht korrekt befestigt	Stellen Sie sicher, dass die Trennscheibe korrekt montiert ist und keine Schäden aufweist. In den Abschnitten "Trennscheibe" und "Montage und Einstellungen" erhalten Sie weitere Informationen.
	Klinge defekt	Tauschen Sie die Klinge aus und stellen Sie sicher, dass diese korrekt arbeitet.
	Vibrationsdämpfer sind defekt	Setzen Sie sich mit Ihrer Servicewerkstatt in Verbindung.
Temperatur des Geräts ist zu hoch	Luft einlaß oder Kühlrippen verstopft	Reinigen Sie die Luft einlass-/Kühlflansche des Geräts
	Riemen rutscht	Prüfen Sie den Riemen und passen Sie die Spannung an
	Kupplung rutscht oder ist defekt	Stets mit Vollgas schneiden.
Prüfen Sie die Kupplung oder wenden Sie sich an Ihre Servicewerkstatt		

# TECHNISCHE DATEN

## Technische Daten

<b>Technische Daten</b>	<b>K970 III, K970 III Rescue</b>
<b>Motor</b>	
Hubraum, cm <sup>3</sup> /cu.in	93,6/5,7
Bohrung, mm/Zoll	56/2,2
Hub, mm/Zoll	38/1,5
Leerlaufdrehzahl, U/min	2700
Weit offener Gashebel – keine Last, U/min	9300 (+/- 150)
Leistung, kW/PS bei U/min	4,8/6,5 @ 9000
<b>Zündanlage</b>	
Hersteller der Zündanlage	SEM
Typ der Zündanlage	CD
Zündkerze	NGK BPMR 7A/ Champion RCJ 6Y
Elektrodenabstand, mm/Zoll	0,5/0,02
<b>Kraftstoff- und Schmiersystem</b>	
Hersteller des Vergasers	Walbro
Vergasertyp	RWJ-7
Füllmenge Kraftstofftank, Liter/US fl.Oz	1/33,8
<b>Wasserkühlung</b>	
Empfohlener Wasserdruck, bar/PSI	0,5-10/7-150

<b>Gewicht</b>	<b>14" (350 mm)</b>	<b>16" (400 mm)</b>
Trennschleifer ohne Kraftstoff und Trennscheibe, kg/lb	11,0/24,3	11,6/25,6
<b>Spindel, Abtriebswelle</b>		
Max. Spindeldrehzahl, U/min	4700	4300
Max. Umfangsgeschwindigkeit, m/s / ft/min	90/18000	90/18000

<b>Geräuschemissionen (siehe Anmerkung 1)</b>		
Gemessene Schallleistung dB(A)	114	114
Garantierte Schallleistung L <sub>WA</sub> dB(A)	115	115
<b>Lautstärke (siehe Anmerkung 2)</b>		
Äquivalenter Schalldruckwert am Ohr des Bedieners, dB (A)	104	104
<b>Äquivalente Vibrationspegel, a<sub>hveq</sub> (siehe Anmerkung 3)</b>		
Vorderer Handgriff, m/s <sup>2</sup>	3,8	3,5
Hinterer Handgriff, m/s <sup>2</sup>	4,2	4,0

Anmerkung 1: Umweltbelastende Geräuschemission gemessen als Schallleistung (L<sub>WA</sub>) gemäß EG-Richtlinie 2000/14/EG. Die Differenz zwischen garantiertem und gemessenem Lautstärkepegel besteht darin, dass bei der garantierten Lautstärke auch eine Streuung im Messergebnis und Variationen zwischen verschiedenen Maschinen desselben Modells gemäß der Richtlinie 2000/14/EG berücksichtigt werden.

Anmerkung 2: Äquivalente Schalldruckpegel, nach der ISO-Norm EN ISO 19432, werden berechnet als die zeitgewichtete energetische Summe der Schalldruckpegel bei verschiedenen Betriebsarten. Berichten zufolge entspricht der Schalldruckpegel für diese Maschine normalerweise einer Ausbreitungsklasse (standardmäßige Ausbreitung) von 1 dB (A).

Anmerkung 3: Äquivalente Vibrationspegel, nach der ISO-Norm EN ISO 19432, werden berechnet als die zeitgewichtete energetische Summe der Vibrationspegel bei verschiedenen Betriebsarten. Berichten zufolge liegt der äquivalente Vibrationspegel normalerweise bei einer Ausbreitungsklasse (Standardabweichung) von 1 m/s<sup>2</sup>.

# TECHNISCHE DATEN

## Empfohlene Schleif- und Diamant-Trennscheibe, Spezifikation

Durchmesser der Scheiben-Mittelbohrung, mm	Max. Schnitttiefe, mm/inch	Scheibendrehzahl, U/min	Scheibendrehzahl, m/s / ft/min	Durchmesser der Scheiben-Mittelbohrung	Maximale Trennscheibendicke, mm/inch
14" (350 mm)	125/5	5500	100/19600	25,4 mm / 20 mm	5/0,2
16" (400 mm)	155/6	4775	100/19600	25,4 mm / 20 mm	5/0,2

## EG-Konformitätserklärung

### (nur für Europa)

Husqvarna AB, SE-561 82 Huskvarna, Schweden, Tel.: +46 36 146500, versichert hiermit, dass die Trennschleifer **Husqvarna K970 III, K970 III Rescue** von den Seriennummern des Baujahrs 2016 an (die Jahreszahl wird im Klartext auf dem Typenschild angegeben, mitsamt der nachfolgenden Seriennummer) den Vorschriften folgender RICHTLINIEN DES RATES entsprechen:

- vom 17. Mai 2006 „Maschinen-Richtlinie“ **2006/42/EG**.
- vom 26. Februar 2014 "über elektromagnetische Verträglichkeit" **2014/30/EU**.
- vom 8. Mai 2000 "über umweltbelastende Geräuschemissionen von zur Verwendung im Freien vorgesehenen Geräten und Maschinen" **2000/14/EG**. Bewertung der Konformität wurde im Sinne von Anhang V durchgeführt.

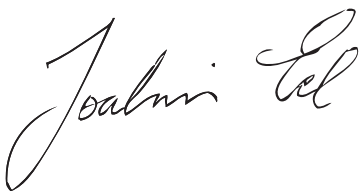
Für Information betreffend die Geräuschemissionen, siehe das Kapitel Technische Daten.

Folgende Normen wurden angewendet: **EN ISO 12100:2010, EN ISO 14982:2009, CISPR12:2007+AMD1:2009, EN55012:2008+A1:2009, EN ISO 19432:2012**

Die angemeldete Prüfstelle: 0404, SMP Svensk Maskinprovning AB, Box 7035, SE-750 07 Uppsala, Schweden, hat die EG-Typenprüfung gemäß der Maschinen-Richtlinie (2006/42/EC) für Husqvarna AB durchgeführt. Das Prüfzertifikat hat die Nummer: SEC/10/2286.

Weiterhin hat SMP Svensk Maskinprovning AB, Box 7035, SE-750 07 Uppsala, Schweden, die Übereinstimmung mit der Anlage V zur Richtlinie des Rates vom 8. Mai 2000 "über umweltbelastende Geräuschemissionen von zur Verwendung im Freien vorgesehenen Geräten und Maschinen" 2000/14/EG bestätigt. Das Prüfzertifikat hat die Nummer: 01/169/034 - K970 III, K970 III Rescue

Göteborg, 13. Januar 2016



Joakim Ed

Global R&D Director

Construction Equipment Husqvarna AB

(Bevollmächtigter Vertreter für Husqvarna AB, verantwortlich für die technische Dokumentation.)



**GB - Original instructions, DE - Originalanweisungen,  
FR - Instructions d'origine, NL - Originele instructies**

**1157542-20, rev 2**



**2018-10-22**